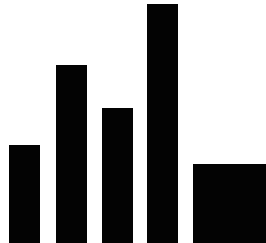
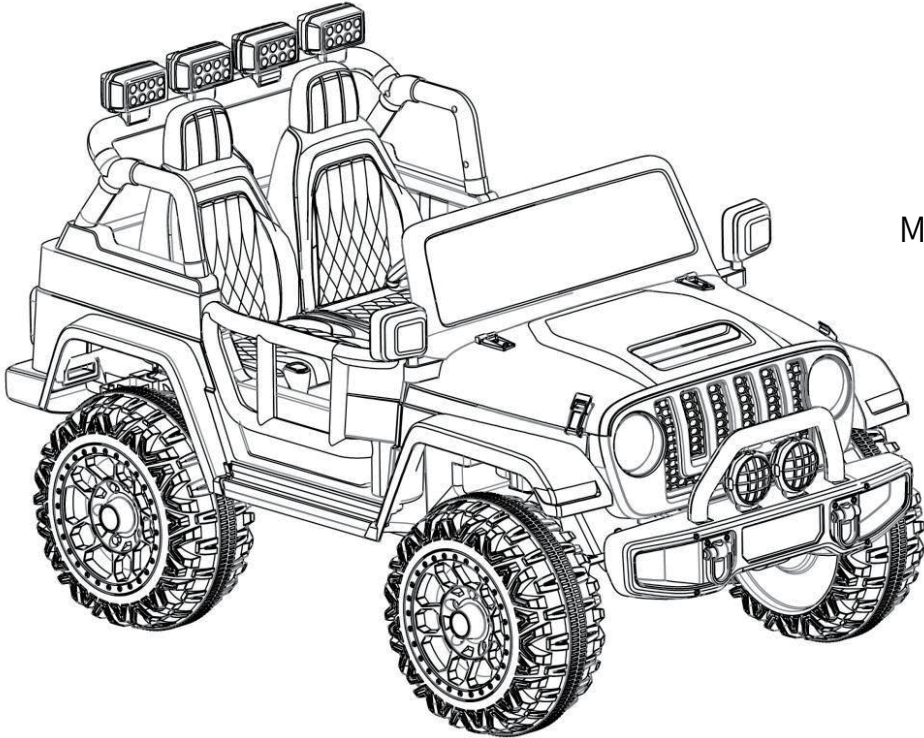


# Joywhale

## 24V RIDE ON TRUCK

- Suitable for 3-8 years
- Maximum user weight: 130lbs/ 59kg
- Adult assembly required

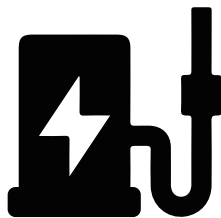




Please install this ride-on car according to the instruction and the installation video on the detail page of your purchased product.

## **Charge for 4-6 hrs before initial use.**

After initial charge, follow the normal recommended charging time.



# ① SAFETY

<b>NOTE</b>	For best performance, only use this vehicle on flat and hard surfaces
<b>AGE RANGE</b>	3 to 8 years old
<b>WEIGHT CAPACITY</b>	130LBS(59KG) is the maximum weight for 2 riders

## **⚠ WARNING!**

- This product contains small parts. Keep children away during assembly. Make sure to remove all packaging material and parts from underneath the vehicle body.
- Never open the battery. Batteries contain lead and lead compounds(acids).
- Limbs, hair and clothing can get caught in moving parts. Always wear shoes, keep limbs away from moving parts and do not wear loose clothing while operating this vehicle.
- This vehicle does not have separate braking system. Do not leave a child unattended during operation. Do not use it in a location that may require emergency stop function as this could result in loss of control, which may cause serious injury or death.
- Use of this vehicle near streets, motor vehicles, steps, bodies of water, sloped surfaces, hills, wet areas, flammable vapors, in alleys, at night or in the dark could result in an unexpected accident.
- Use of this vehicle in unsafe conditions such as snow, rain, loose dirt, mud, sand or gravel may result in an unexpected accident such as tipping over and could damage the electrical system or battery.

- Do not operate this vehicle in an unsafe manner. Examples include but are not limited to:
  - Pulling the vehicle with another vehicle or similar device
  - Allowing more than two children to ride
  - Pushing the user
  - Traveling at an unsafe speed

## **WARNING!**

- Use of a battery or charger other than the supplied rechargeable battery and charger may cause a fire or explosion. Only use the supplied battery and charger.
- Use of the rechargeable battery and charger for any other product may result in overheating, fire or explosion.
- Never use the supplied rechargeable battery and charger with another product.
- Explosive gases are created during charging. Charge the battery in a well ventilated area. Do not charge the battery near heat or flammable materials.
- Contact between the positive and negative terminals may result in fire or explosion. Avoid direct contact between the terminals. Picking up the battery by the wires or charger can cause damage to the battery and may result in a fire. Always pick up the battery by its case or handles.
- Liquids on the battery may cause fire or electric shock. Always keep all liquids away from the battery and keep the battery dry. Contact or exposure to battery leakage (lead acid) may cause serious injury. If contact or exposure occurs immediately call your physician. If the chemical is on the skin or in the eyes, flush with cool water for 15 minutes. If the chemical was swallowed, immediately give the person water or milk. Do not give water or milk if the patient is vomiting or has a decreased level of alertness. Do not induce vomiting.
- Battery posts, terminals and related accessories contain lead and lead compounds(acid).

- Tampering or modifying the electric circuit system may cause a shock, fire or explosion and permanently damage the system. Exposed wiring and circuitry in the charger may cause electric shock. Always keep the charger housing closed.

## **⚠ WARNING!**

- Never leave a child unattended.
- Always sit in the seat when using this vehicle.
- Keep your hands, hair and clothes away from moving part.
- Always wear shoes when operating this vehicle.
- Children under 3 years of age cannot use the vehicle.
- Only drive on level ground.
- Do not go near swimming pools or other bodies of water, drop-offs or up and down steep inclines.
- Do not drive the vehicle into loose dirt, mud, sand, fine gravel or on wet surfaces.
- Do not drive the vehicle on streets or near cars.

Item	Specification
Batteries	24V 7AH
Motor	24V/45W * 4
Age	3-8 years
Max Weight	130LBS(59KG)
Dimension	49.6*30.7*31.1INCH (126*78*79CM)
Speed	2-4 MPH (3.5-6.5 KM/H)
Play Time	1-2 hours/ recharger time 8-12 hours
Charger	Output DC 24V

## ② TOOLS REQUIRED



2 PERSON  
ASSEMBLY



APPROXIMATELY  
45 MIN ASSEMBLY



SCREWDRIVER  
(BRING YOUR OWN)



M10 WRENCH  
(PROVIDED)

M4\*12MM



45 PCS

φ 12 GASKET



6 PCS

M10 NUTS



6 PCS

φ 10 WASHER



3 PCS

COTTER PIN



1 PCS

BEARING



2 PCS

WHEEL



2 PCS

WHEEL



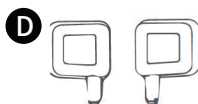
2 PCS

WHEEL HUD



4 PCS

MIRROR (L/R)



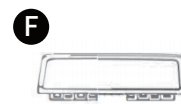
1 PCS

STEERING WHEEL



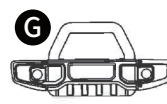
1 PCS

WINDSHIELD



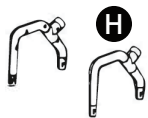
1 PCS

FRONT BUMPER



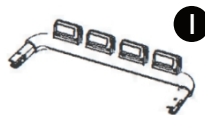
1 PCS

TAILSTOCK(L/R)



1 SET

REMOTE CONTROL



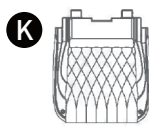
1 PCS

UPPER SEAT COVER



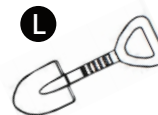
2 PCS

LOWER SEAT COVER



2 PCS

SHOVEL



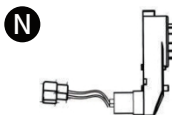
1 PCS

WHEEL COVER



4 PCS

GEAR BOX (L/R)



2 SET

REMOTE CONTROL



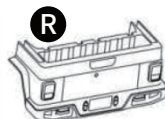
1 PCS

CHARGERS



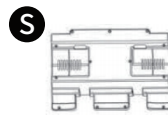
1 PCS

REAR SUPPORT



1 PCS

REAR BRACKET



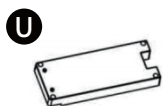
1 PCS

REAR FENDER(L/R)



2 PCS

SEAT SUPPORT



1 SET

FRONT BRACKET  
ASSEMBLY



1 PCS

STEERING LEVER



1 PCS

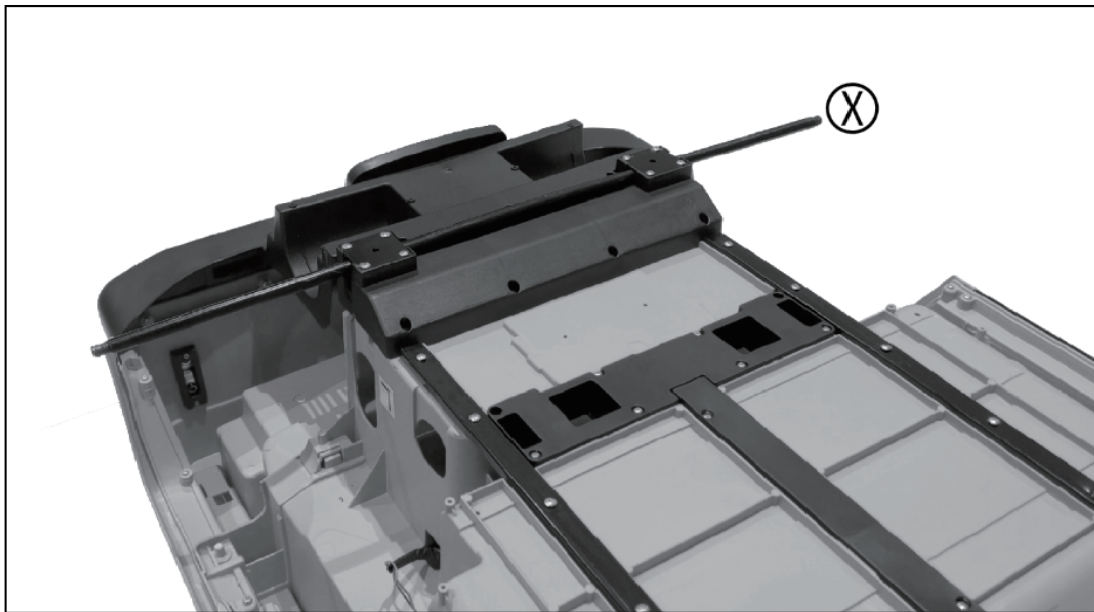
REAR AXLE



1 PCS

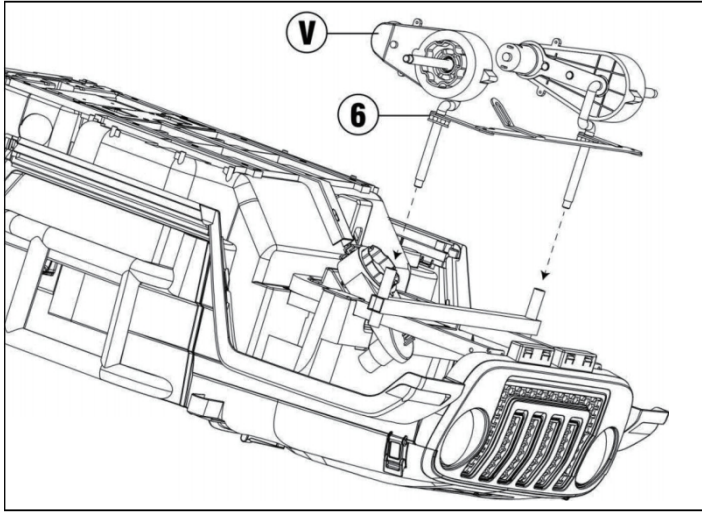
## ③ PRODUCT ASSEMBLY

### Part 1

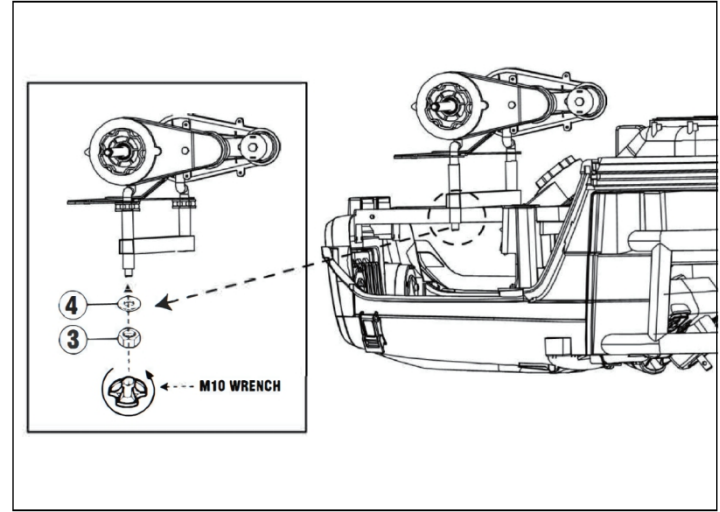


ⓧ First of all, please install the rear axle.



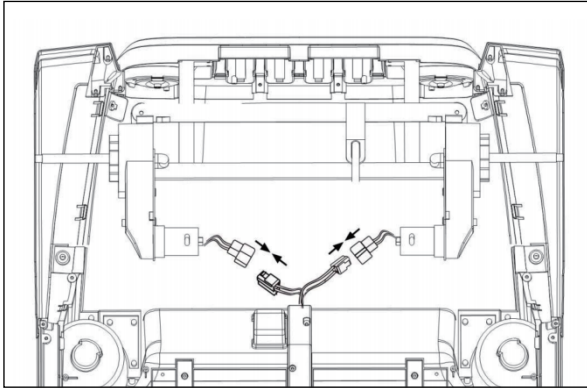


⑤ Insert the front bracket assembly into the body square tube.

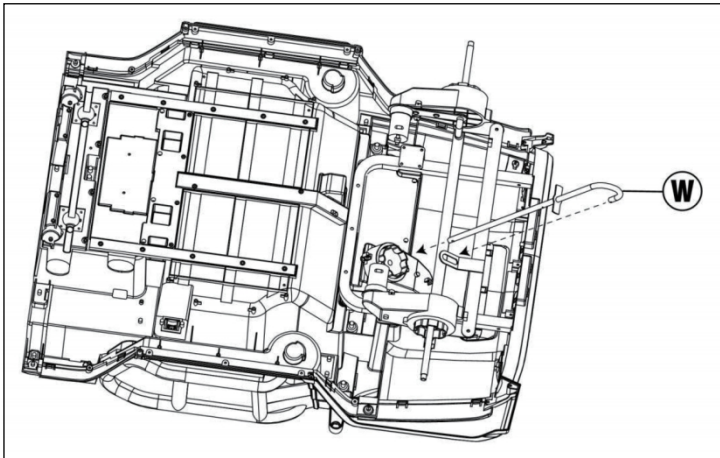


③ In turn put the  $\phi 10$  washer and nut into the front bracket assembly.

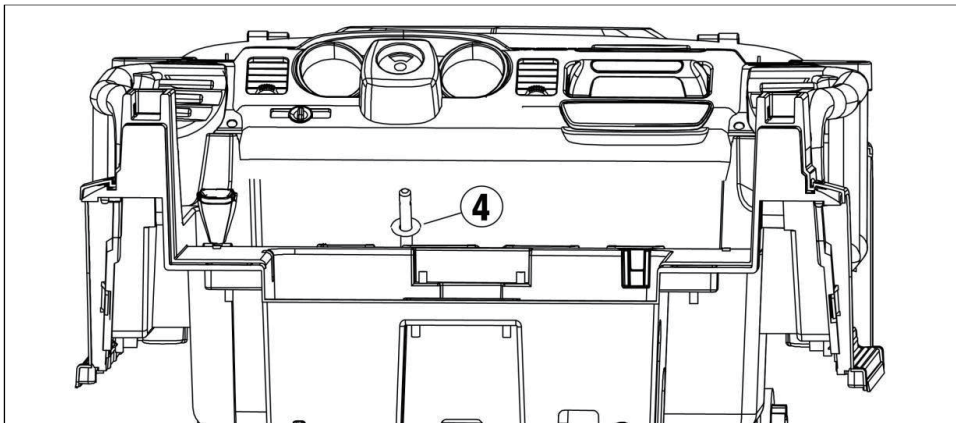
④



As shown in the figure: Connect the motor wires.



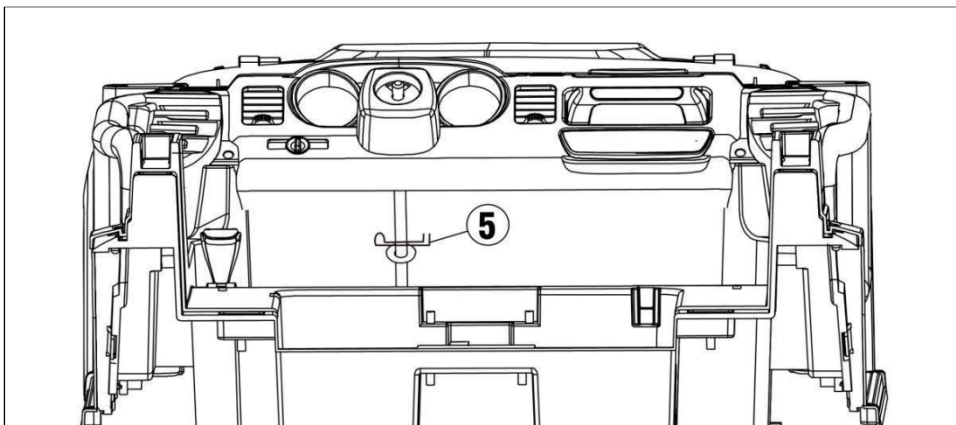
**W** Insert the steering lever into the steering motor hole. Make sure the steel sheet on the lever is stuck in the slot.



Turn over the car body again.

④

Insert  $\phi 10$  washer on steering lever.



⑤

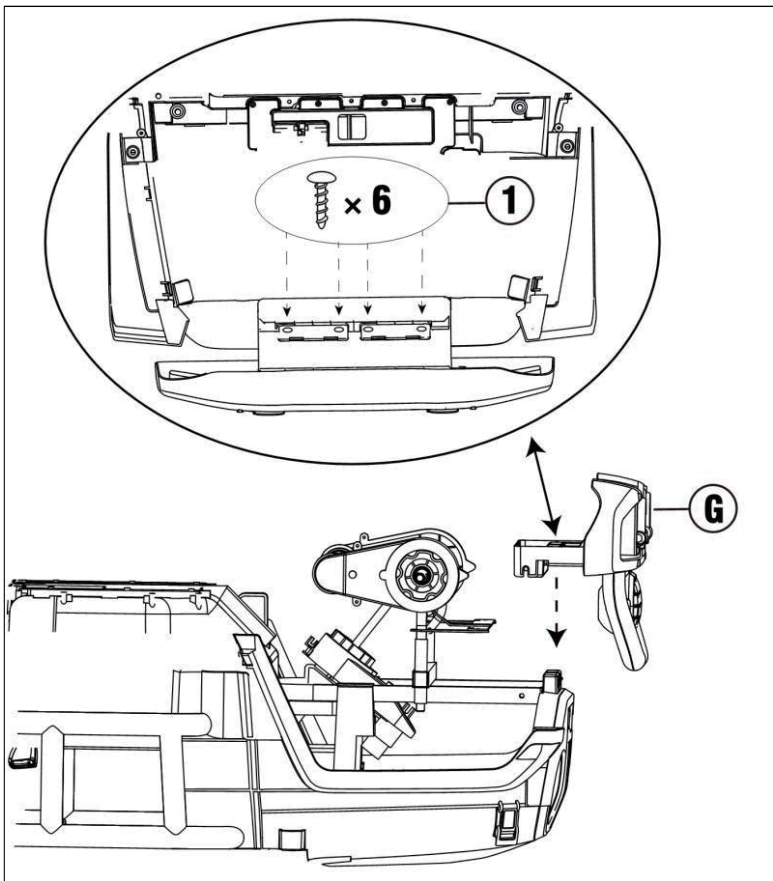
After the steering lever is installed in place, insert the cotter pin to bend and fix it.

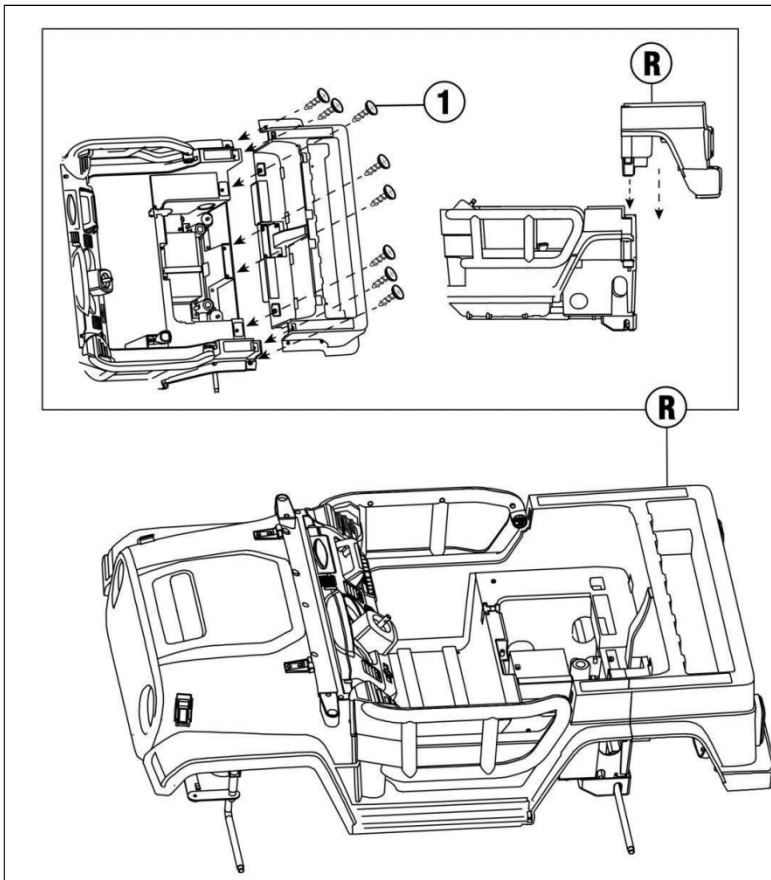
## Part 2

Turn the car body upside down.

Ⓒ Stuck the front bumper into the car.

① Fix with M4 \* 12 screw.

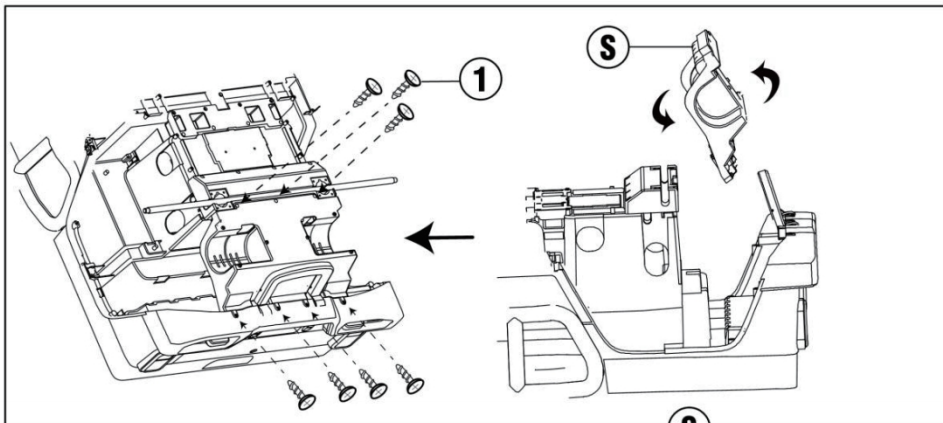




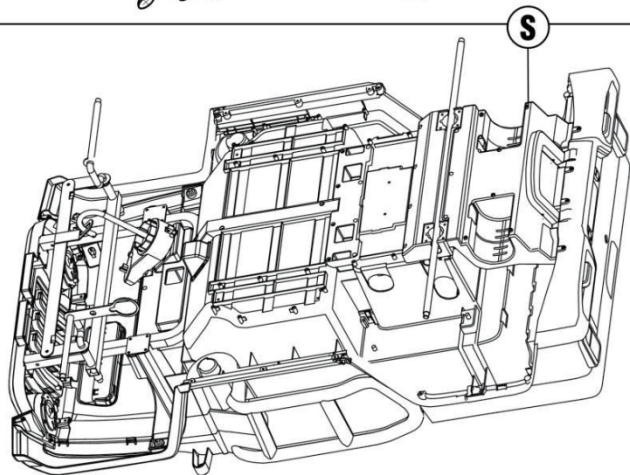
Turn the car into upright position.

Ⓜ Clip the rear bumper into the body.

① Fix with M4 \* 12 screw.

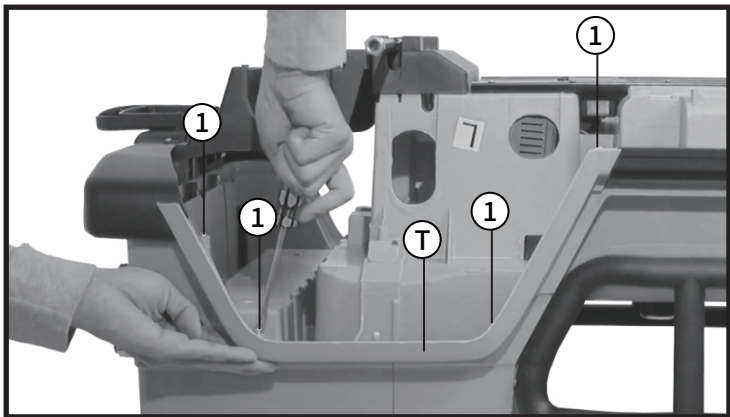


Turn over the car body again.



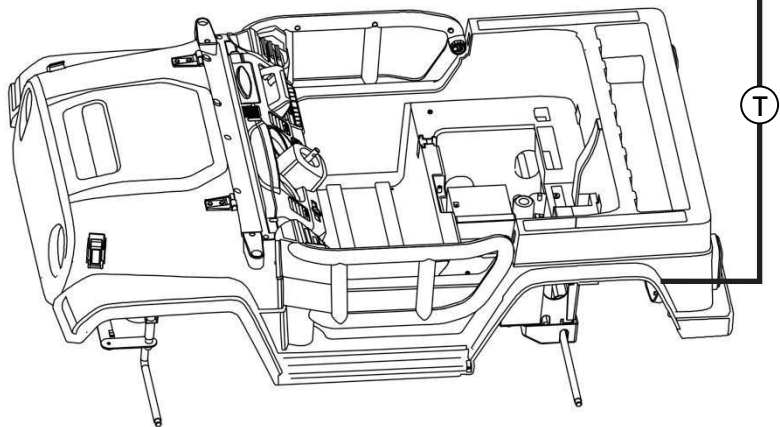
Ⓢ Clip rear support into the body.

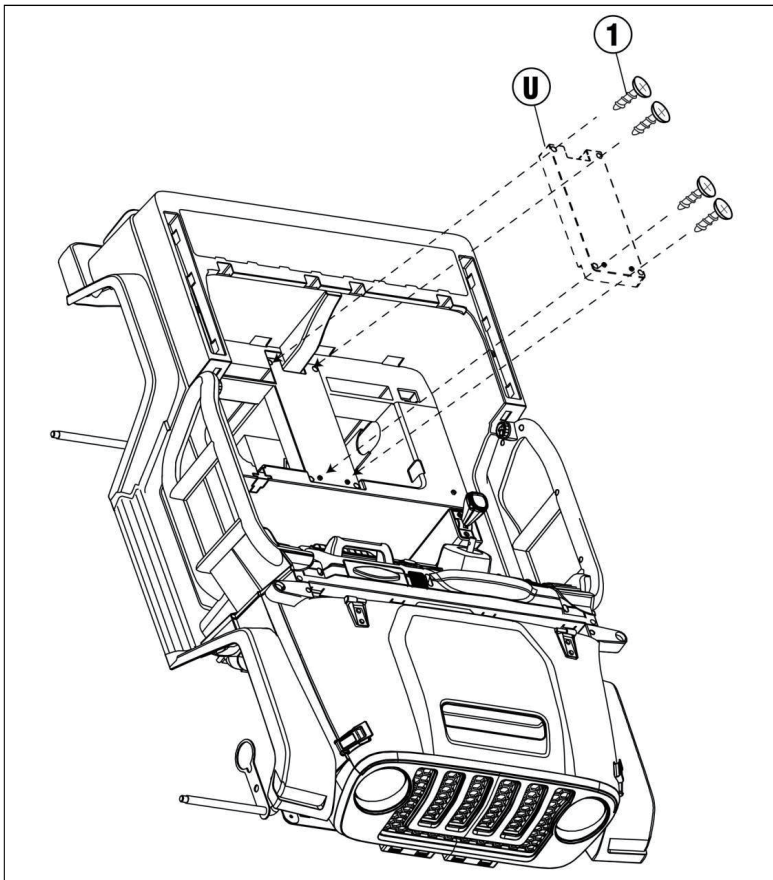
① Fix with M4 \* 12 screw.



Ⓣ Clip rear fender (L/R) into the body  
( Note: Rear fender distinguish left and right ).

① Fix with M4\*12 screw.





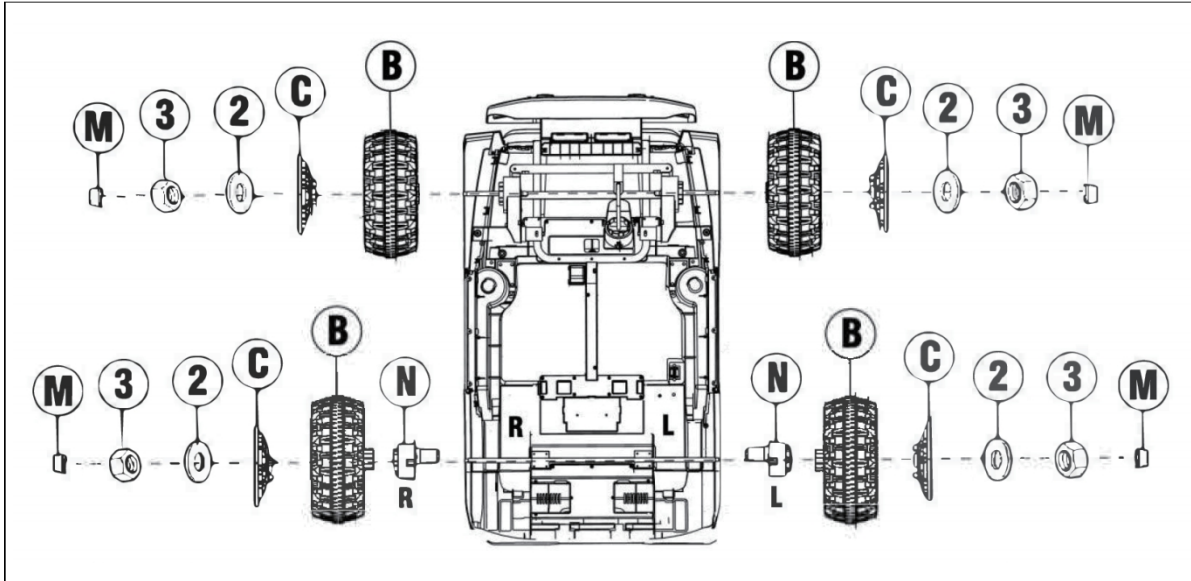
## Part 3

Turn the car body upright.

Ⓚ Clip seat support into the body.

① Fix with M4 \* 12 screw.





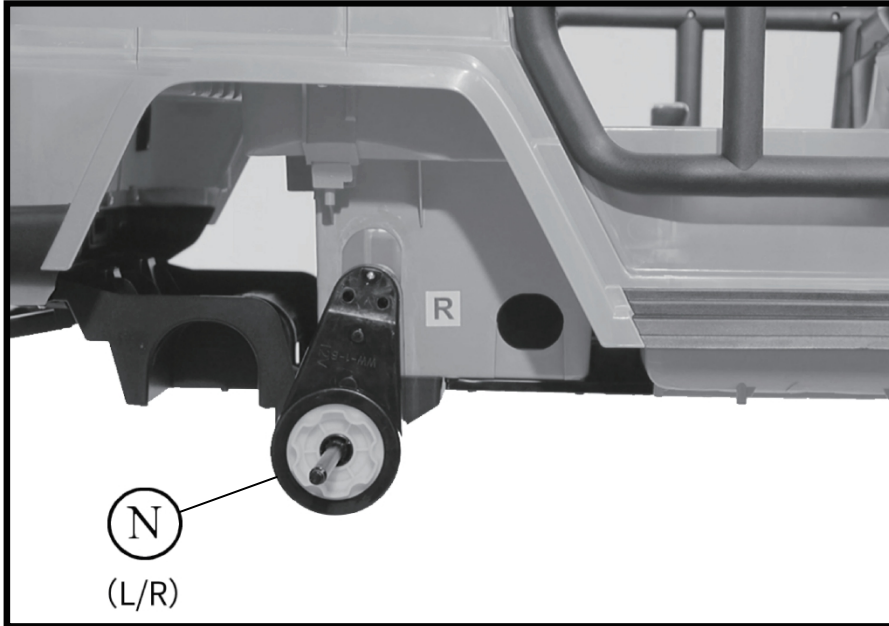
Turn over the car body again. Install wheels & rear engines (**CHECK: "HOW TO INSTALL REAL ENGINES" ON THE NEXT PAGE FIRST**)

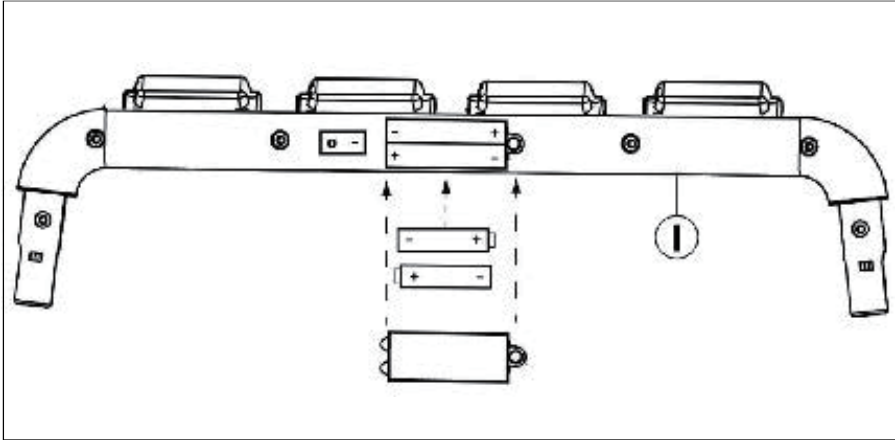
Put the rear wheel, wheel hold, washer and nut into the front axle in turn.  
Fix the nut with the M10 wrench and then attach the wheel cover to the wheel.

Place the gear box, rear wheel, wheel hod, washer and nut on the rear axle in turn.  
Fix the nut with the M10 wrench and then attach the wheel cover to the wheel.

## How to install rear engines

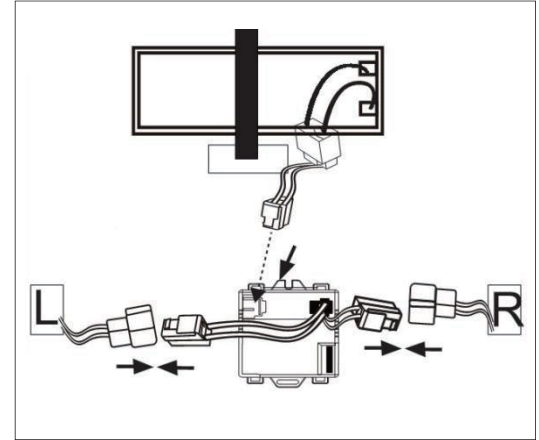
Put the drive motor into the rear axle, and stuck the motor into the body slot.  
Then connect the connectors coming from the gear box to the wire connector coming from the battery.





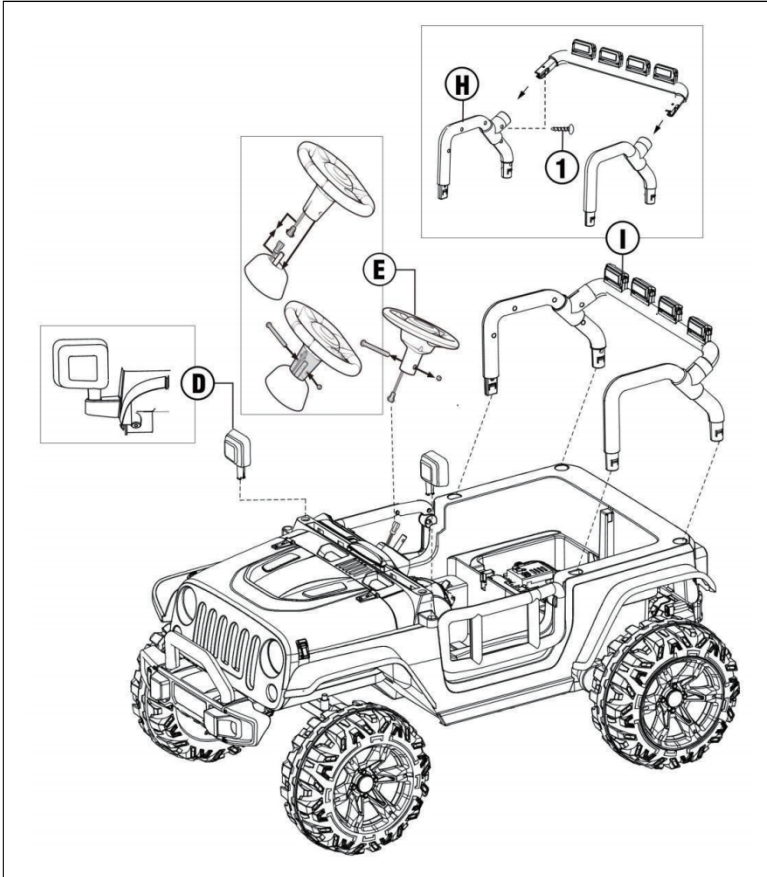
Use a screwdriver to remove the searchlight battery cover screws and install them in sequence:

- Put the battery into the battery card slot after distinguishing the positive and negative poles.
- Cover the battery cover and fix it with screws.
- Power switch: (-)=on, (o)=off.



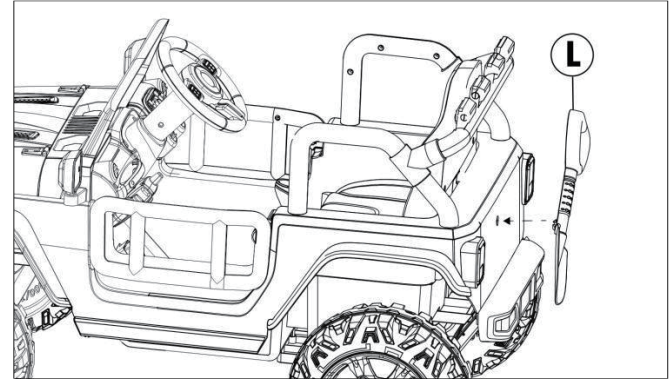
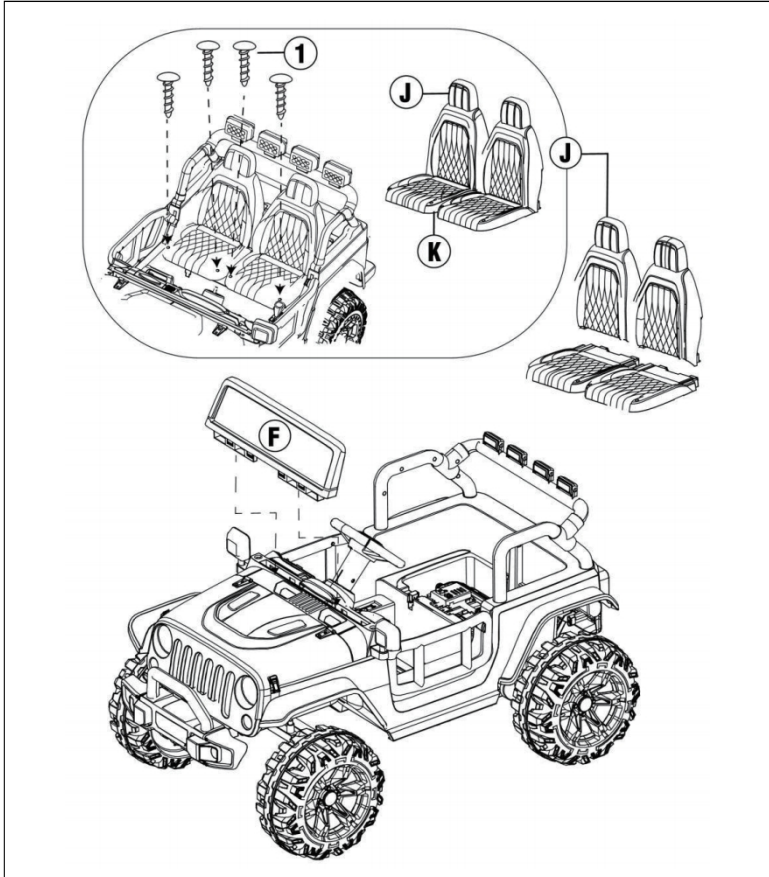
Put the car upside down.

Find the main power cord under the seat and insert the plug of the power cord into the corresponding socket of the receiver. The plug of the drive motor cable is docked with the plug on the receiver (the plug on the receiver is not differentiated left and right).



Turn over the car body again after all engines & wheels are installed correctly.

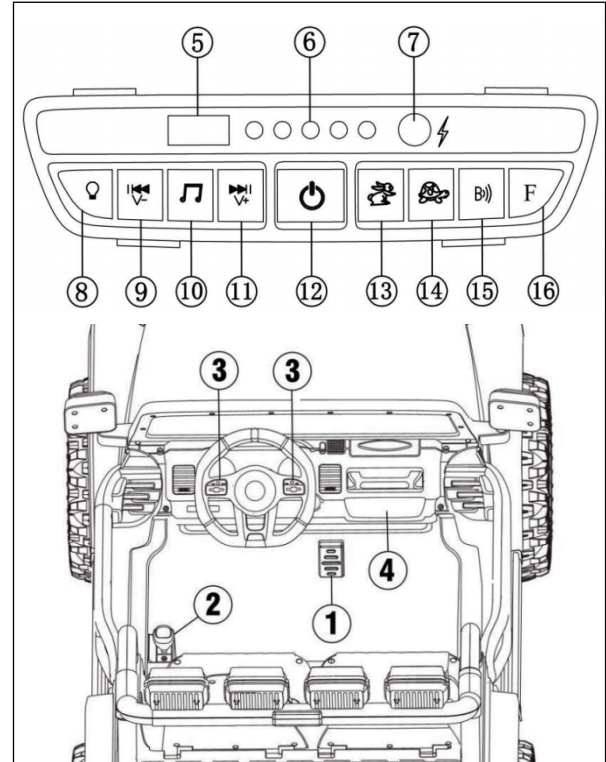
- (E) Attach the steering wheel:
  - Remove the nut and bolt from the steering wheel;
  - Connect the wires coming from the steering column to the wires on the steering wheel;
  - Insert the steering wheel over the steering and secure with nut and bolt.
- (D) Fix the mirror (L/R):
  - Stuck the mirror into the car.
- (I) Fix the searchlight:
  - Butt and fix the tailstock with the searchlight. Use M4×12 screws to fix the inside of the two butted brackets and snap them into the car.



- (F) Fix the windshield:
- Stuck the windshield into the corresponding slot on the body.
- (J) Fix the seat:
- Insert the upper seat cover into the lower seat cover.
  - Stuck the seat buckle into the vehicle slot.
  - Fix with screws.
- (L) Fix the shovel:
- Stuck the shovel into the body slot.

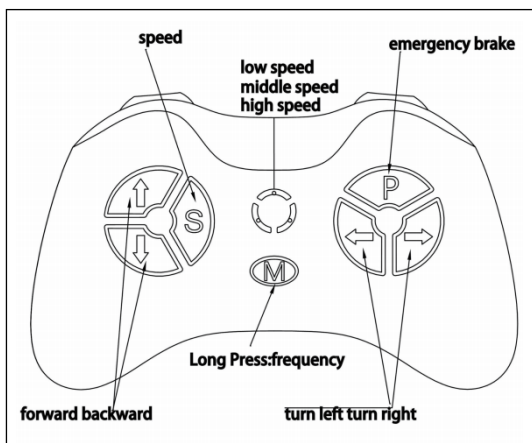
## ④ DASHBOARD DIAGRAM

1. Pedal: Press, the vehicle will move when the power is on; release on the move, the motors will generate resistance to stop the vehicle.
2. Shift switch: Change the direction of the car, Forward-Backward.
3. Sound/music button: Press it for sounds or music playing.
4. Control board
5. U.
6. Power display: Clearly see the battery power and help judge whether the battery needs to be charged.
7. Socket: Charge.
8. Light button: Press it to switch the light.
9. Last song/volume-: press it to switch to the last song and long press can decrease volume.
10. Music Button: Press it to play music.
11. Next song/volume+: Press it to switch to the next song and long press can increase volume.
12. Power button: Long press for 3 seconds can turn the vehicle on or off; short press for 1 second can stop the music.
13. High speed button: Press it to change the car to the high-speed movement.
14. Low speed button: Press it to change the car to the low-speed movement.
15. Wireless Technology(YX): After connected your mobile phone and the wireless device, the car can play music from your mobile phone.



16. FM: First click ⑩ to enter the FM mode, and then long-press the ⑩ button for three seconds, the product will automatically search for radio stations. After searching for about one minute, you can manually switch. Stations by clicking buttons ⑨ and ⑪.

## ⑤ REMOTE CONTROL DIAGRAM



Remote control has a higher priority than manual control. When the car is under remote control mode, the foot pedal & steering wheel will be deactivated.

### Chip protection:

In the remote control mode, in order to protect the control chip from being burned by the continuous signal current and reduce the wear of the steering motor gear, the steering motor will slightly return to the straight position from the maximum angle every 3 seconds. If you need to keep turning in one direction at the maximum angle in the remote control mode, please release the steering key every 3 seconds & press it again.

### Operation Manual:

Take out the remote control, open the battery compartment on the back of the remote control and add two AAA LRO3 alkaline batteries. Pay attention to the polarity of the batteries. When the alignment light and speed indicator light up, it indicates that the battery installed is correct. This product does not provide dry batteries.

**⚠ WARNING!**

Only used by adults

### <Button Description >

① Long press on the frequency key(M) 2-4 seconds, low speed LED light flashing. Turn on the power of the car, low speed LED light keep flashing to long lighting, then frequency bind succeed. If the frequency bind failed (Low speed LED light flashing), remove the battery and repeat steps.

P: Press to brake.

S: Speed: press to change speed(low,middle and high speed).

△Forward ▽backward

◀ Turn left ▶ turn right

② Brake button: Press it to stop moving; press it again to move.

③ Speed selection key and speed indication: used to select speed of the car. Press the key once to switch the speed once. 3 speeds are cyclically switched, and the switching sequence is: low-medium-high. The speed indicator is arranged from top to bottom on the remote control: high-speed lamp, medium-speed lamp, low-speed lamp; when switching to one speed, the corresponding indicator lamp will light up.

**Note: The speed grade changes only when moving forward.**

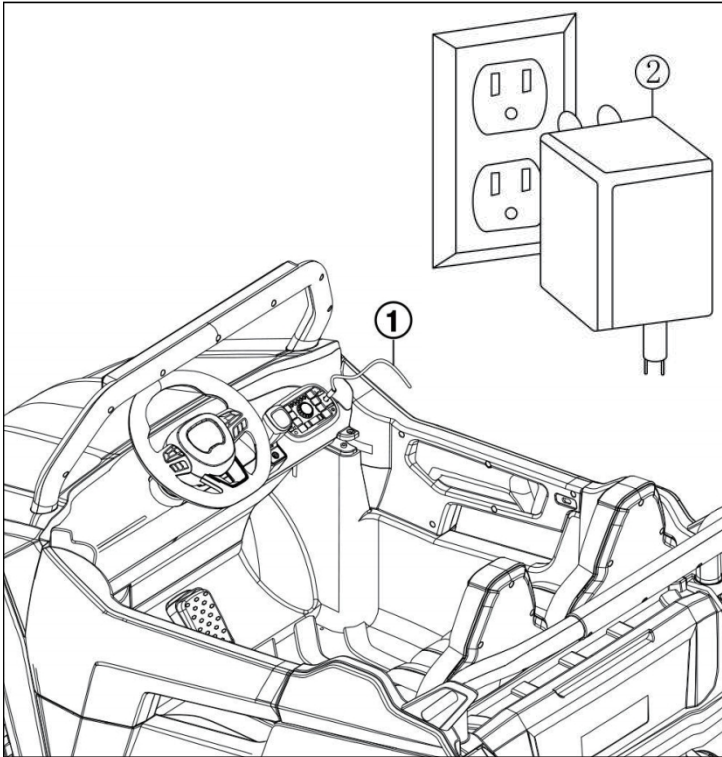
④ Forward/backward keys: used for forward and backward movement control. When one of the keys is pressed, the moving speed will slowly increase to reach the set speed level. Therefore, children will not have a sudden impact.

⑤ Left turn/right turn key: used for left and right direction control.

**Note: Without operation after 10 seconds, indication light will off into power saving mode.**



## ⑥ CHARGING INSTRUCTIONS



1.Insert the charger jack into the charging hole of the car.  
2.Plug the charger plug into the stable matching AC power supply as shown in the picture.

- Charge the battery 4 to 6 hours before initial use.
- On average, you will need to charge the battery between 8 and 12 hours.Do not charge the battery for more than 20 hours. Failure to charge the battery as directed could cause permanent damage to the battery and void the warranty.
- Damage to the battery may occur if it is allowed to drain completely. Do not allow the battery to drain completely.
- Check the battery and charger (supply cord, connector) for wear and damage before charging. Do not charge the battery if damage has occurred.
- Only an adult who has read and understood the safety warnings should handle, charge and recharge the battery.

**Note: There is a charging protection for the car, so there would be no display on the car when it is charging. When the charger shows a green light, it means the car is fully charged.**

# 7

## MAINTENANCE

The vehicle should be checked for damage, missing or badly worn parts before use.

- Check the tightness of the fasteners before each use.
- Check the tightness of the wheels.
- Ensure the battery is securely in place before use.
- Occasionally use lightweight oil to lubricate moving parts such as wheels and steering linkage.
- Do not use oil on plastic or nylon parts. No lubrication is required.
- Store the vehicle indoors or cover it with a tarp to protect it from the wet weather. Keep it away from sources of heat, such as stoves and heaters.
- Clean the vehicle with a soft, dry cloth. To restore shine to plastic parts, use a non-wax furniture polish. Do not use car wax, abrasive cleaners or wash the vehicle with soap and water. Water will damage the motor, electrical system and battery.
- Joywhale recommend you ask professional advice from our technical team if you need maintenance or repair service. Official email address of Joywhale: **[care@joywhale.com](mailto:care@joywhale.com)**

# TROUBLESHOOTING

Problem	Possible Cause	Remedy
Vehicle does not run	Battery low on power	Recharge battery (see Battery: Recharge Interval and Time)
	Thermal fuse has tripped	Let the vehicle rest for 5 to 10 minutes before continuing normal operation.
	Battery connector or wires are loose	Check that the battery connectors are firmly plugged into each other. If wires are loose around the motor, please contact customer service department by email: <b>care@joywhale.com</b>
	Battery is dead	Replace battery (Please contact customer service department by email: <b>care@joywhale.com</b> for further help)
	Electrical system is damaged	Please contact customer service department by email: <b>care@joywhale.com</b>
	Motor is damaged	Please contact customer service department by email: <b>care@joywhale.com</b>
Vehicle does not run very long	Battery is under charged	Check that the battery connectors are firmly plugged into each other when recharging
Loud grinding or clicking noises coming from motor or gear box	Motor or gears are damaged	Please contact customer service department by email: <b>care@joywhale.com</b>

Problem	Possible Cause	Remedy
Vehicle runs sluggishly or beeping occurs	Battery low on power	Recharge battery
	Battery is old	Replace battery (Please contact customer service department by email: <b>care@joywhale.com</b> for further help)
	Vehicle is overloaded	Reduce weight on vehicle (see User Requirements and Safety Warnings)
	Vehicle is being used in harsh conditions	Operate the vehicle level ground and firm surfaces (see User Requirements and Safety Warnings)
Vehicle needs a push to go forward	Poor contact of wires or connectors	Check that battery connectors are firmly plugged into each other. If wires are loose around the motor, please contact customer service department by email: <b>care@joywhale.com</b>
	“Dead Spot” on motor	A dead spot means the electric power is not being delivered to the terminal connection and the vehicle needs repair. Please contact customer service department by email: <b>care@joywhale.com</b>
24V Battery will not recharge	Battery connector or adapter connector is loose	Check that battery connectors are firmly plugged into each other
	Charger not plugged in	Check that battery charger is plugged into a working wall outlet
	Charger is not working (lights not glowing)	Please contact customer service department by email: <b>care@joywhale.com</b>
Battery bubbles or gurgles when charging	This is normal and not a cause for concern	
Charger feels warm when recharging	This is normal and not a cause for concern	

## CARING FOR YOUR RIDE-ON

- Park the vehicle indoors or cover it with a tarp to protect it from wet weather.
- Do not leave the vehicle in the sun for long periods of time or fading may occur. Store in shade or cover with tarp.
- Do not wash the vehicle with a hose.
- Do not wash the vehicle with soap.
- Charge battery at least once a month to prolong the life of the battery.

## CARING FOR YOUR RIDE-ON

If you have any questions about the steps of installing the product or if there are any problems with the product in use, please feel free to contact the customer service of your purchase platform by email.

### **WARNING!**

The battery on the vehicle is not replaceable.

- Do not mix old and new batteries.
- Do not mix alkaline, standard (carbon-zinc) or rechargeable batteries.
- Non-rechargeable batteries should not be charged.
- Rechargeable batteries should be charged under adult supervision only.
- Exhausted batteries should be removed.
- The supply terminals should not be short-circuited.
- Do not put batteries next to or in a heat source (fire, electronic heating device, etc.).
- Do not hit batteries against hard objects.
- Do not submerge batteries in water.
- Batteries should be inserted with the correct polarity.

### **IMPORTANT**

- Always charge battery for 4-6hrs the first time you use it.
- Always charge battery for 8-12hrs after each use.
- Charge the battery once a month, even if you are not using your vehicle.

**⚠ WARNING!**

- Protective equipment should be worn. Not to be used in traffic.
- The toy should be used with caution since skill is required to avoid falls or collisions causing injury to the user or third parties.
- To reduce the risk of injury, adult supervision is required. Never use in roadways, near motor vehicles, on or near steep inclines or steps, swimming pools or other bodies of water; always wear shoes, and never allow more than two riders.

**⚠ WARNING!**

CHOKING HAZARD-Small parts.  
Not for children under 3yrs.  
To reduce the risk of injury, adult supervision is required. Never use in roadways. Never use on motor vehicles, on or near steep inclines or steps, swimming pools or other bodies of water; always wear shoes, and never allow more than two riders.

**⚠ WARNING!**

ADULT ASSEMBLY REQUIRED

**⚠ WARNING!**

Not to be used in traffic

# CARING FOR YOUR RIDE-ON

## **Caution:**

This device complies with Part 15 of the FCC Rules. Operation is subject to the following two conditions:

① This device may not cause harmful interference.

② This device must accept any interference received, including interference that may cause undesired operation.

Changes or modifications not expressly approved by the party responsible for compliance could void the user's authority to operate the equipment. This equipment has been tested and found to comply with the limits for a Class B digital device, pursuant to part 15 of the FCC Rules. These limits are designed to provide reasonable protection against harmful interference in a residential installation. This equipment generates uses and can radiate radio frequency energy and, if not installed and used in accordance with the instructions, may cause harmful interference to radio communications. However, there is no guarantee that interference will not occur in a particular installation. If this equipment does cause harmful interference to radio or television reception, which can be determined by turning the equipment off and on, the user is encouraged to try to correct the interference by one or more of the following.

## **measures:**

—**Reorient or relocate the receiving antenna.**

—**Increase the separation between the equipment and receiver.**

—**Connect the equipment into an outlet on a circuit different from that to which the receiver is connected.**

—**Consult the dealer or an experienced radio/TV technician for help.**