

**In Common With**

Spot Surface Mount  
*Technical Specifications*



# Spot Surface Mount



## Technical Specifications

Materials	Steel or brass
Product weight	1.25 lbs
Lead time	Painted metal: 2 weeks Brass: 4 weeks
Bulbs included (1)	GU10 / 110 V / 7.0 W / 500 lm / 2700 K
Dimmer	TRIAC
Max wattage	10 W
Certifications	UL listed, damp-rated

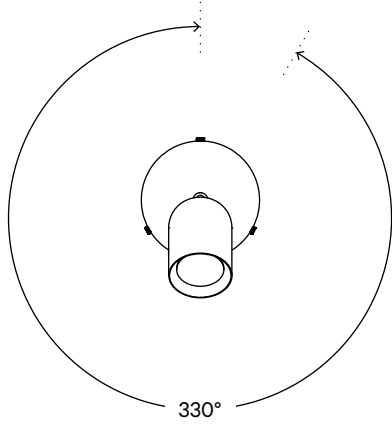


## Notes

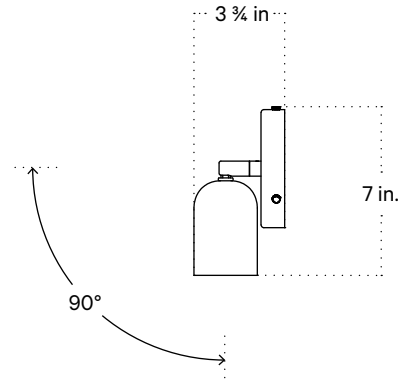
1. This fixture can be installed on a wall or ceiling.
2. All painted metal finishes have a 3-day lead time. The brass fixtures are hand-finished to order and will ship in 2 weeks.
3. This fixture can be specified with a rotary dimmer switch installed on its base. The dimmer switch can be located on either the left or right side of the shades.

Updated February 28, 2023

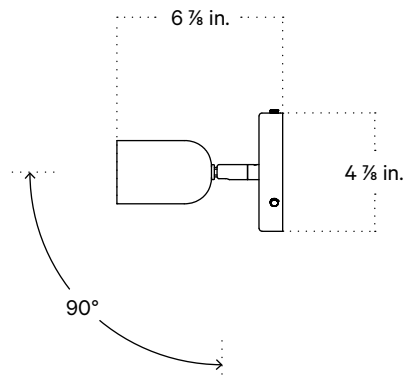
Front View



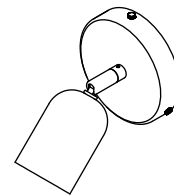
Side View 1



Side View 2



Isometric View



# Spot Surface Mount, with Switch



## Technical Specifications

Materials	Steel or brass
Product weight	1.25 lbs
Lead time	Painted metal: 2 weeks Brass: 4 weeks
Bulbs included (1)	GU10 / 110 V / 7.0 W / 500 lm / 2700 K
Dimmer	Integrated dimmer switch
Max wattage	10 W
Certifications	UL listed, damp-rated

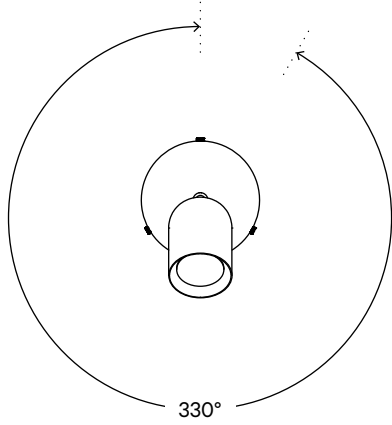


## Notes

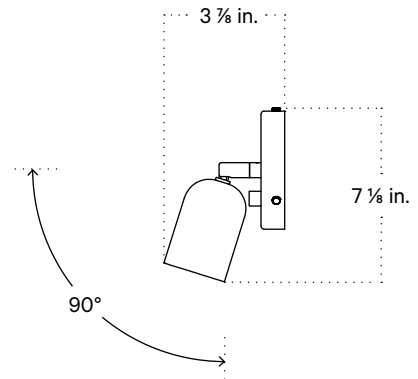
1. This fixture can be installed on a wall or ceiling.
2. All painted metal finishes have a 3-day lead time. The brass fixtures are hand-finished to order and will ship in 2 weeks.
3. This fixture can be specified with a rotary dimmer switch installed on its base. The dimmer switch can be located on either the left or right side of the shades.

Updated February 28, 2023

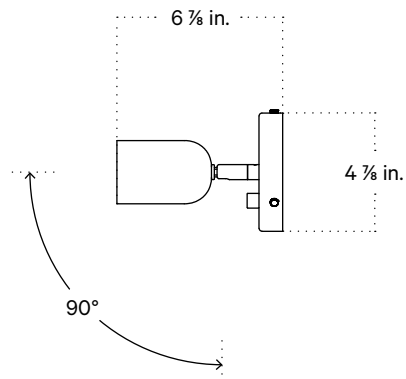
Front View



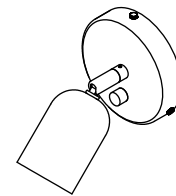
Side View 1



Side View 2



Isometric View



# Spot Surface Mount, Plug-in



## Technical Specifications

Materials	Steel or brass
Product weight	1.75 lbs
Lead time	Painted metal: 2 weeks Brass: 4 weeks
Bulbs included (1)	GU10 / 110 V / 7.0 W / 500 lm / 2700 K
Dimmer	Integrated dimmer switch
Cord length	10 feet
Max wattage	10 W
Certifications	UL listed

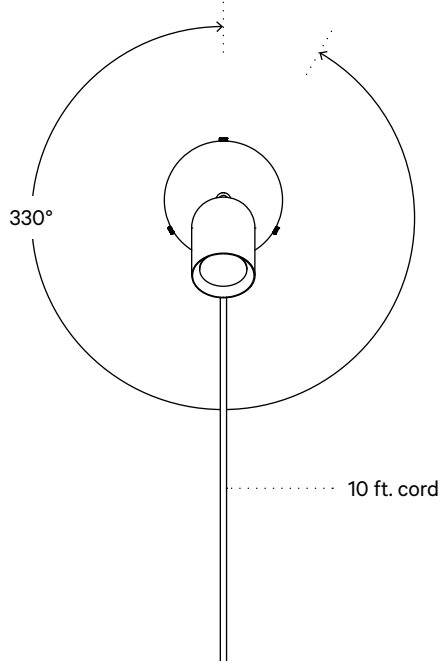


## Notes

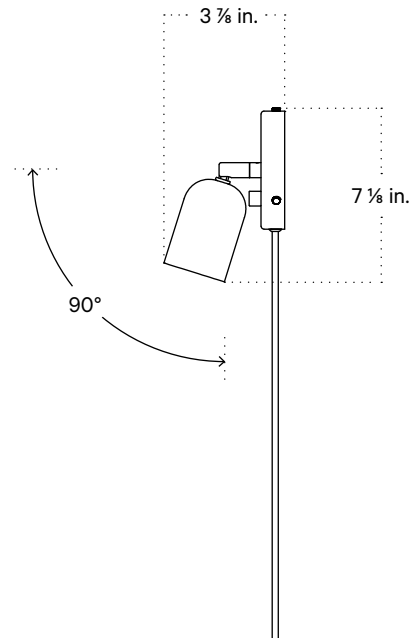
1. Fixtures ordered with painted metal hardware come with a 10-foot black fabric cord. The on/off switch is located 2 feet from the plug.
2. Fixtures ordered in brass finishes with an on/off switch come with a 10-foot chocolate brown fabric cord.
3. Custom cord color can be specified for an additional cost; please inquire.

Updated February 28, 2023

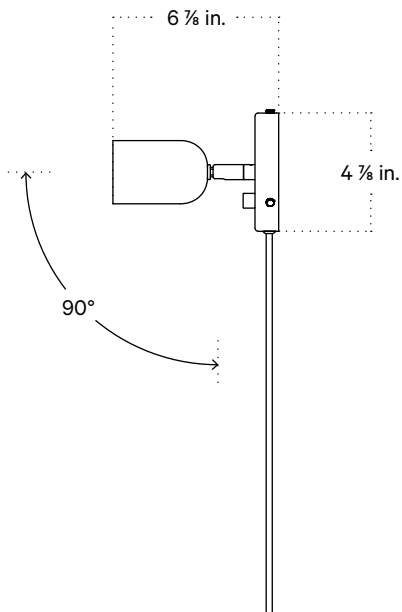
Front View



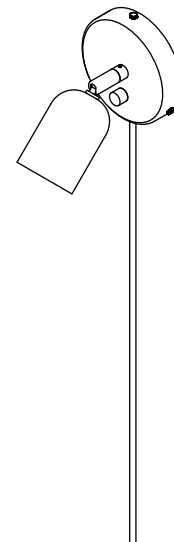
Side View 1



Side View 2



Isometric View



## Finish Options

*Brass, glass, and ceramic samples made or finished by hand may exhibit variability. Available for purchase at [incommonwith.com/finishes](http://incommonwith.com/finishes).*

---

### Painted Metal



Black



Bone



Oxide Red



Reed Green



Peach

---

### Brass



Brass



Patina Brass



Blackened Brass



Pewter