

In Common With

Helena Table Lamp
Technical Specifications





Helena Table Lamp

Technical Specifications

| | |
|--------------------|---|
| Materials | Ceramic, brass |
| Product weight | ~ 25 lb |
| Lead time | 16 weeks |
| Bulbs included (5) | E12 / 110V / 3.0 W / 220 lm 2200K- 3000K / warm on dim |
| Dimmer | Integrated dimmer switch |
| Cord length | 16 feet |
| Max wattage | 50 W |
| Certifications | UL listed, damp- rated |

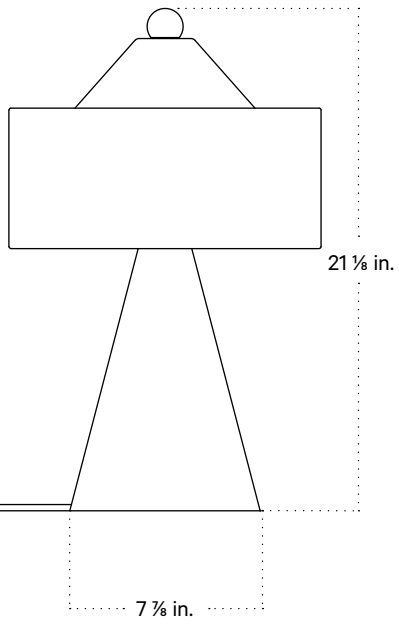


Notes

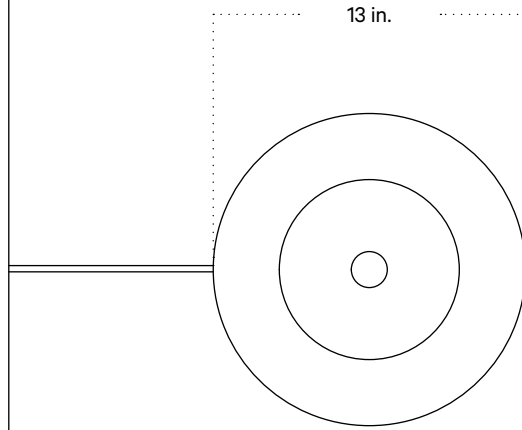
1. A rotary dimmer is located at the top of the fixture above the shade.
2. This fixture comes with a 10-foot-black cord; length is not customizable.
3. This fixture has handmade elements and may exhibit variability within the same piece. These variations are inherent in the production process and are not to be considered as defects. We do our best to maintain a consistent product while honoring handmade craftsmanship.
4. Dimensions may vary within one inch.

Updated February 28, 2023

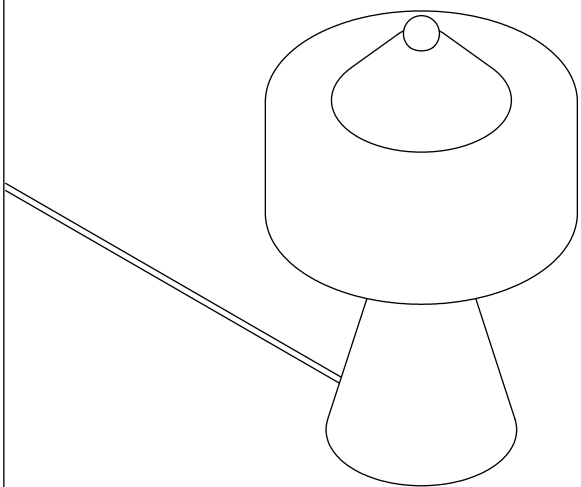
Side View



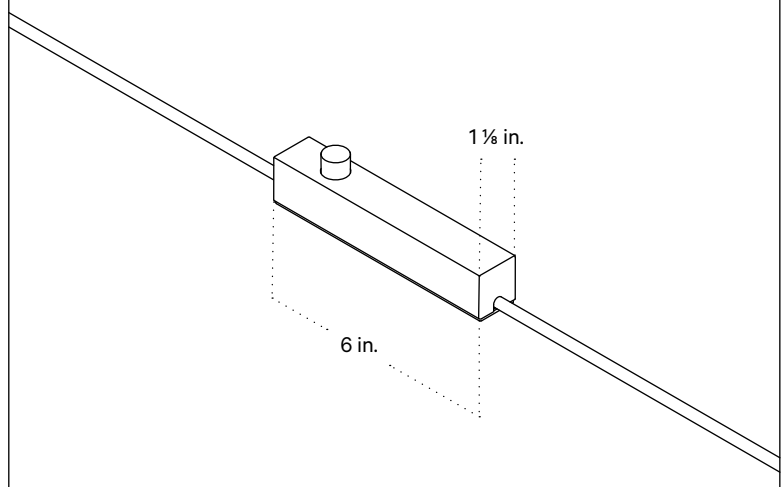
Top View



Isometric View



Inline Dimmer Switch Detail



Finish Options

Brass, glass, and ceramic samples made or finished by hand may exhibit variability. Available for purchase at incommonwith.com/finishes.

Ceramic



Stone



Anthracite



Chestnut



Ivy



Lapis



Terrasig

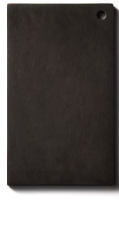
Brass



Brass



Patina Brass



Blackened Brass