

**In Common With**

Ceramic Up Down Sconce  
*Technical Specifications*



# Ceramic Up Down Sconce



## Technical Specifications

Materials	Ceramic, brass or steel
Product weight	2 lbs
Lead time	6 weeks
Bulbs included (2)	E12 / 110 V / 3.0 W / 180 lm / 2700 K
Dimmer	TRIAC
Max wattage	20 W
Certifications	UL listed, damp-rated

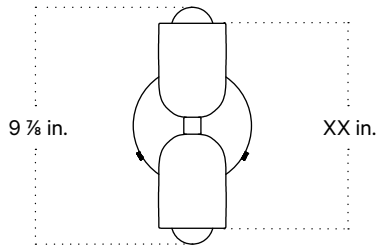


## Notes

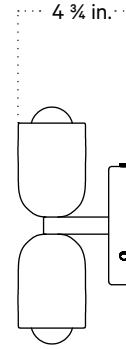
1. All painted metal finishes have a 3-day lead time. The brass fixtures are hand-finished to order and will ship in 2 weeks.

Updated March 1, 2023

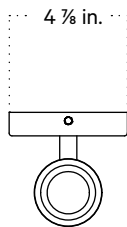
Front View



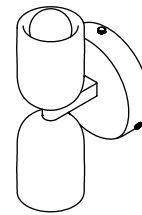
Side View



Top View



Isometric View



# Ceramic Up Down Sconce, Left Switch



## Technical Specifications

Materials	Ceramic, brass or steel
Product weight	2 lbs
Lead time	6 weeks
Bulbs included (2)	E12 / 110 V / 3.0 W / 180 lm / 2700 K
Dimmer	Integrated dimmer switch
Max wattage	20 W
Certifications	UL listed, damp-rated

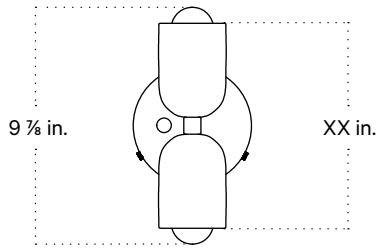


## Notes

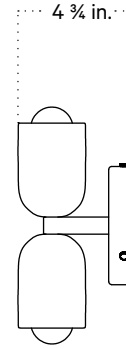
1. All painted metal finishes have a 3-day lead time. The brass fixtures are hand-finished to order and will ship in 2 weeks.
2. This fixture can be specified with a rotary dimmer switch installed on its base. The dimmer switch can be located on either the left or right side of the shades.

Updated March 1, 2023

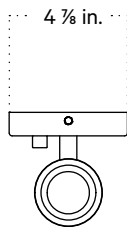
Front View



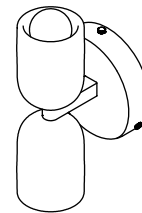
Side View



Top View



Isometric View



# Ceramic Up Down Sconce, Right Switch



## Technical Specifications

Materials	Ceramic, brass or steel
Product weight	2 lbs
Lead time	6 weeks
Bulbs included (2)	E12 / 110 V / 3.0 W / 180 lm / 2700 K
Dimmer	Integrated dimmer switch
Max wattage	20 W
Certifications	UL listed, damp-rated

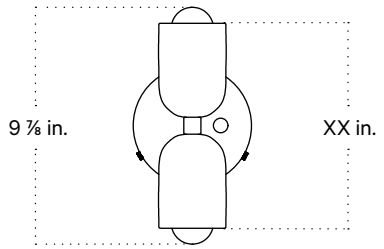


## Notes

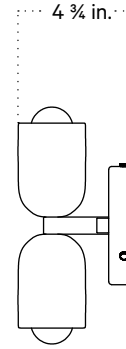
1. All painted metal finishes have a 3-day lead time. The brass fixtures are hand-finished to order and will ship in 2 weeks.
2. This fixture can be specified with a rotary dimmer switch installed on its base. The dimmer switch can be located on either the left or right side of the shades.

Updated March 1, 2023

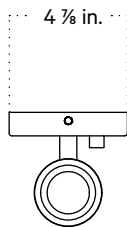
Front View



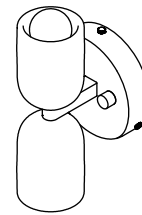
Side View



Top View



Isometric View



# Ceramic Up Down Sconce, Plug-in



## Technical Specifications

Materials	Ceramic, brass or steel
Product weight	2.5 lbs
Lead time	6 weeks
Bulbs included (2)	E12 / 110 V / 3.0 W / 180 lm / 2700 K
Dimmer	Optional in-line dimmer switch
Cord length	10 ft
Max wattage	20 W
Certifications	UL listed, damp-rated



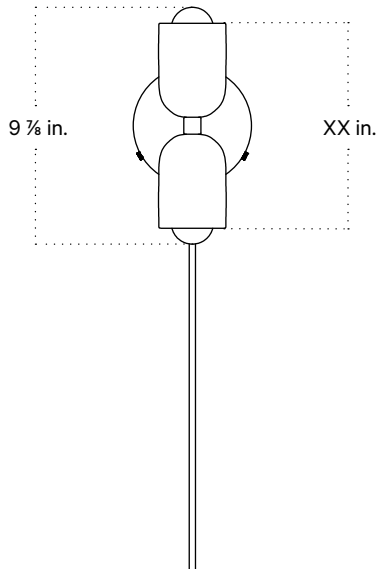
## Notes

1. This fixture can be ordered with an on/off switch or an inline dimmer; see additional details below.
2. Fixtures ordered in painted metal with an on/off switch come with a 10-foot black fabric cord. The on/off switch is located 2 feet from the plug.
3. Fixtures ordered in painted metal with an inline dimmer have a 16-foot black nylon cord. The dimmer switch is our black painted metal finish and is located 8 feet from the plug.
4. Fixtures ordered in brass finishes with an on/off switch come with a 10-foot chocolate brown fabric cord. The on/off switch is located 2 feet from the plug.
5. Fixtures ordered in brass finishes with an inline dimmer have a 16-foot chocolate brown fabric cord. The dimmer switch is our black painted metal finish and is located 8 feet from the plug.
6. Custom cord color can be specified for an additional cost; please inquire.

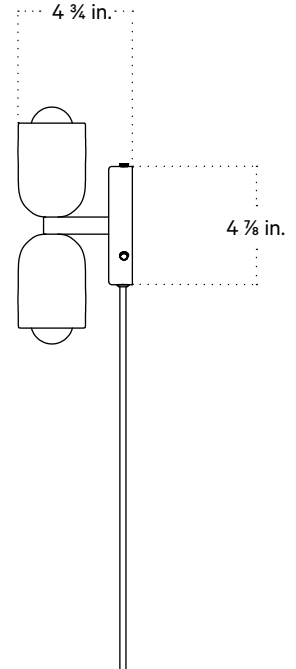
Updated March 1, 2023



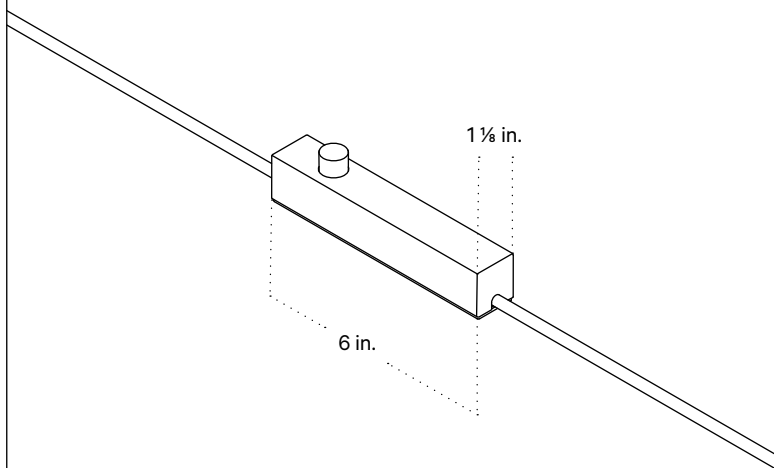
Front View



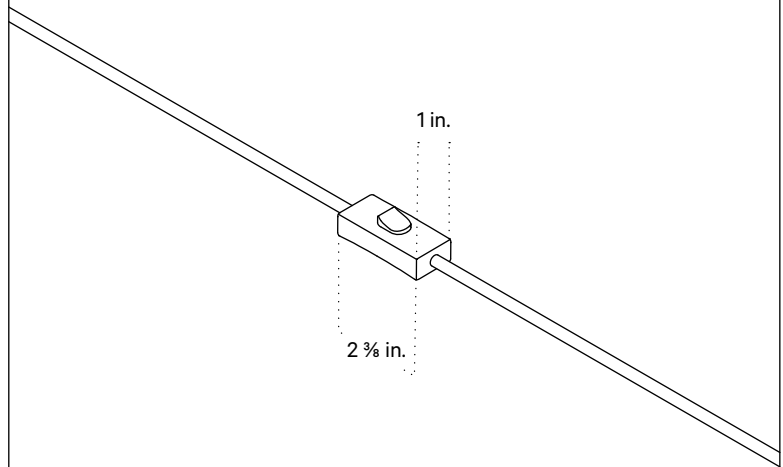
Side View



Inline Dimmer Switch Detail



On/off Switch Detail



# Ceramic Up Down Sconce, Plug-in Left Switch



## Technical Specifications

Materials	Ceramic, brass or steel
Product weight	2.5 lbs
Lead time	6 weeks
Bulbs included (2)	E12 / 110 V / 3.0 W / 180 lm / 2700 K
Dimmer	Integrated dimmer switch
Cord length	10 ft
Max wattage	20 W
Certifications	UL listed, damp-rated

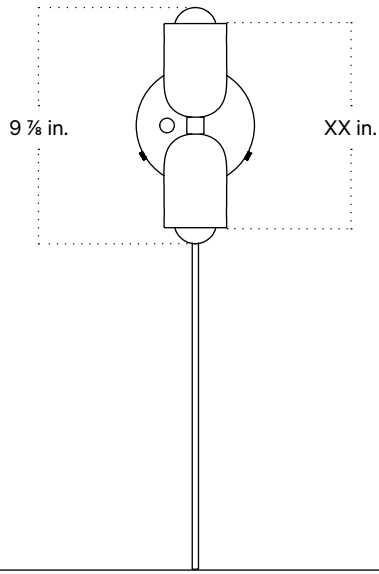


## Notes

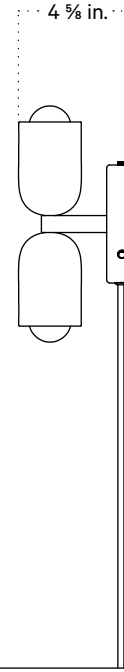
1. This fixture can be ordered with an on/off switch or an inline dimmer; see additional details below.
2. Fixtures ordered in painted metal with an on/off switch come with a 10-foot black fabric cord. The on/off switch is located 2 feet from the plug.
3. Fixtures ordered in painted metal with an inline dimmer have a 16-foot black nylon cord. The dimmer switch is our black painted metal finish and is located 8 feet from the plug.
4. Fixtures ordered in brass finishes with an on/off switch come with a 10-foot chocolate brown fabric cord. The on/off switch is located 2 feet from the plug.
5. Fixtures ordered in brass finishes with an inline dimmer have a 16-foot chocolate brown fabric cord. The dimmer switch is our black painted metal finish and is located 8 feet from the plug.
6. Custom cord color can be specified for an additional cost; please inquire.
7. This fixture can be specified with a rotary dimmer switch installed on its base. The dimmer switch can be located on either the left or right side of the shades.

Updated March 1, 2023

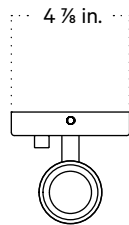
Front View



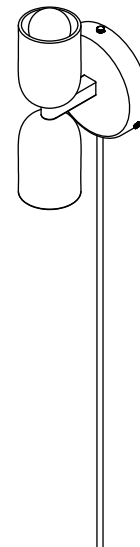
Side View



Top View



Isometric View



# Ceramic Up Down Sconce, Plug-in Right Switch



## Technical Specifications

Materials	Ceramic, brass or steel
Product weight	2.5 lbs
Lead time	6 weeks
Bulbs included (2)	E12 / 110 V / 3.0 W / 180 lm / 2700 K
Dimmer	Integrated dimmer switch
Cord length	10 ft
Max wattage	20 W
Certifications	UL listed, damp-rated

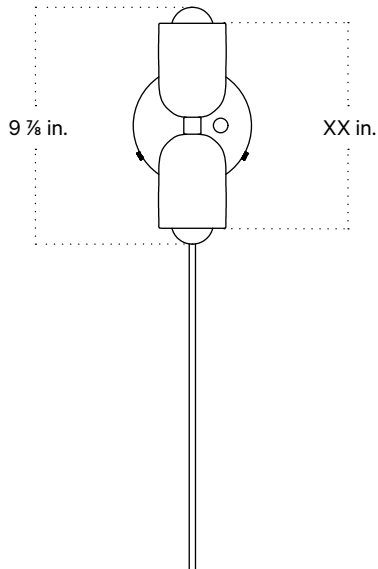


## Notes

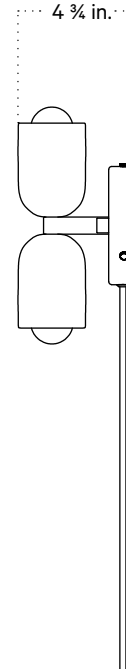
1. This fixture can be ordered with an on/off switch or an inline dimmer; see additional details below.
2. Fixtures ordered in painted metal with an on/off switch come with a 10-foot black fabric cord. The on/off switch is located 2 feet from the plug.
3. Fixtures ordered in painted metal with an inline dimmer have a 16-foot black nylon cord. The dimmer switch is our black painted metal finish and is located 8 feet from the plug.
4. Fixtures ordered in brass finishes with an on/off switch come with a 10-foot chocolate brown fabric cord. The on/off switch is located 2 feet from the plug.
5. Fixtures ordered in brass finishes with an inline dimmer have a 16-foot chocolate brown fabric cord. The dimmer switch is our black painted metal finish and is located 8 feet from the plug.
6. Custom cord color can be specified for an additional cost; please inquire.
7. This fixture can be specified with a rotary dimmer switch installed on its base. The dimmer switch can be located on either the left or right side of the shades.

Updated March 1, 2023

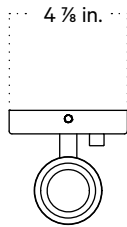
Front View



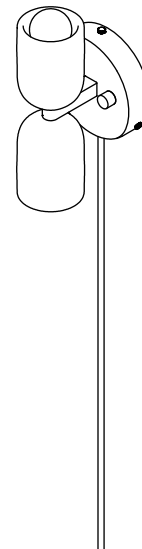
Side View



Top View



Isometric View



# Finish Options

*Brass, glass, and ceramic samples made or finished by hand may exhibit variability. Available for purchase at [incommonwith.com/finishes](http://incommonwith.com/finishes).*

---

## Ceramic



Tan Clay



White Clay



Terracotta



Green Clay



Black Clay

---

## Painted Metal



Black



Bone



Oxide Red



Reed Green



Peach

---

## Brass



Brass



Patina Brass



Blackened Brass



Pewter