

In Common With

Augustus Pendant
Technical Specifications





Augustus Pendant

Technical Specifications

Materials	Ceramic, glass, brass
Product weight	~ 27 lb
Lead time	16 weeks
Bulbs included (1)	G9 / 110V / 6.0 W / 550 lm 2700K / dimmable
Dimmer	TRIAC
Suspension type	Fixed brass rod 3 foot oal included (see notes)
Max wattage	10 W
Certifications	UL listed, damp-rated

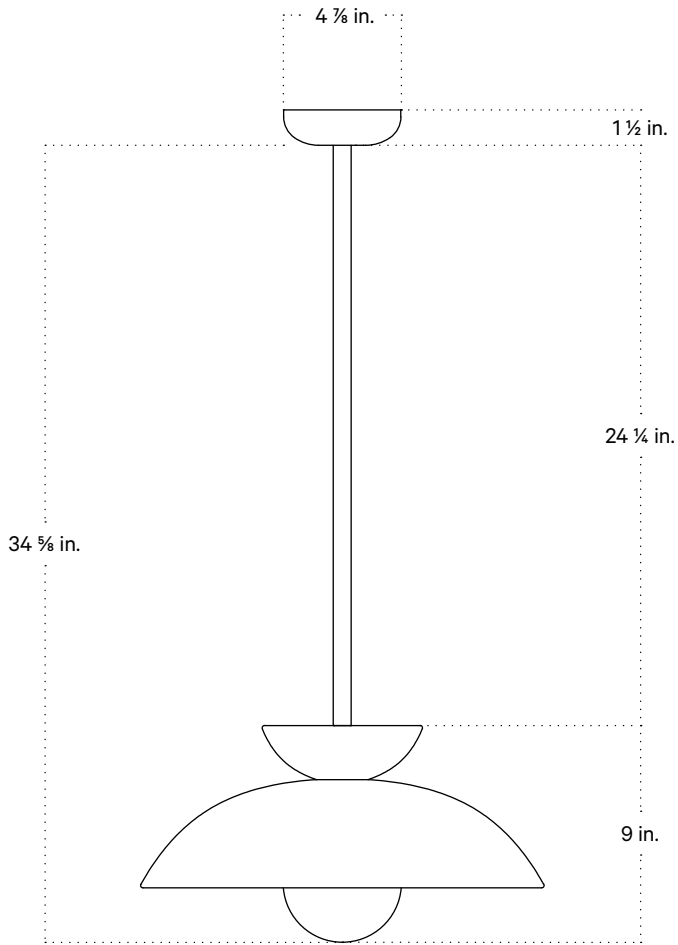


Notes

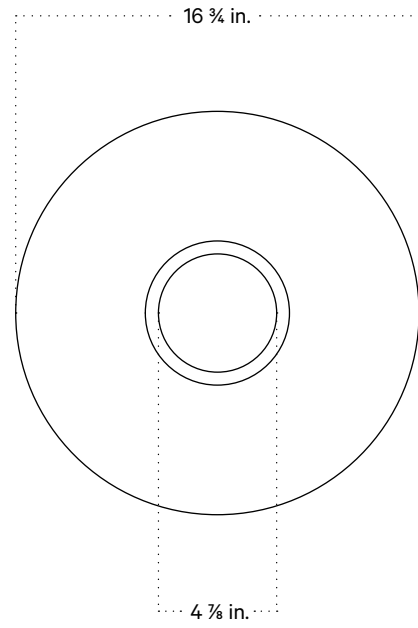
1. This fixture has a fixed brass rod that is not adjustable. Please specify the overall length (OAL) when placing your order. OAL is measured from the ceiling to the bottom of a fixture and includes the shades.
2. 3-foot OAL is included in the price of this fixture. Additional length is priced per inch.
3. The minimum OAL for this fixture is 12 ½ feet, and the maximum is 12 feet.
4. This pendant can be customized for installation on a sloped ceiling. Please get in touch with us for more information.
5. This fixture has handmade elements and may exhibit variability within the same piece. These variations are inherent in the production process and are not to be considered as defects. We do our best to maintain a consistent product while honoring handmade craftsmanship.
6. Dimensions may vary within one inch.

Updated February 28, 2023

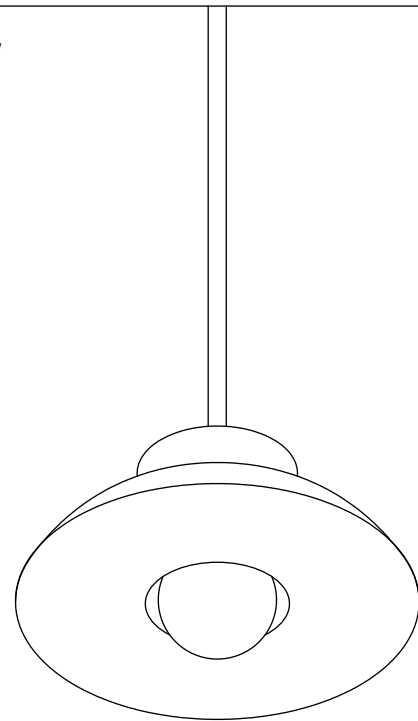
Front View



Bottom View



Isometric View



Finish Options

Brass, glass, and ceramic samples made or finished by hand may exhibit variability. Available for purchase at incommonwith.com/finishes.

Ceramic



Stone



Anthracite



Chestnut



Ivy



Lapis



Terrasig

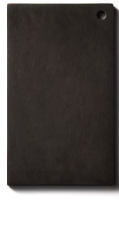
Brass



Brass



Patina Brass



Blackened Brass