

In Common With

Arundel Mushroom Surface Mount
Technical Specifications



Arundel Mushroom Surface Mount



Technical Specifications

Materials	Steel, glass
Product weight	4 lbs
Lead time	3 days
Bulbs included (1)	GU24 / 120 V / 5.0 W / 550 lm 2700K / dimmable
Dimmer	TRIAC
Max wattage	10 W
Certifications	UL listed, damp-rated

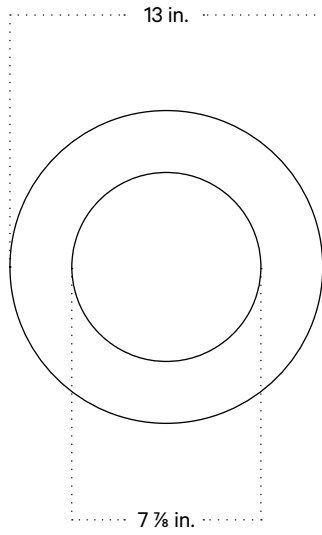


Notes

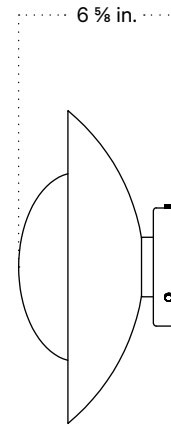
1. This fixture can be installed on a wall or ceiling.
2. All painted metal finishes have a 3-day lead time.

Updated June 14, 2023

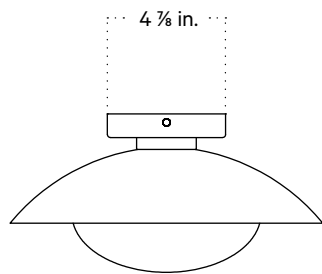
Front View



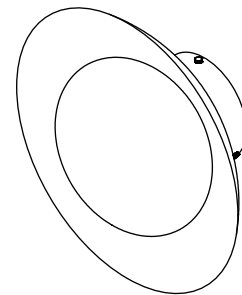
Side View



Front View: Ceiling Installation



Isometric View



Arundel Mushroom Surface Mount, Plug-in



Technical Specifications

Materials	Steel, glass
Product weight	4.5 lbs
Lead time	2 weeks
Bulbs included (1)	GU24 / 120 V / 5.0 W / 550 lm 2700K / dimmable
Dimmer	Optional in-line dimmer switch
Cord length	16 feet
Max wattage	10 W
Certifications	UL listed, damp-rated

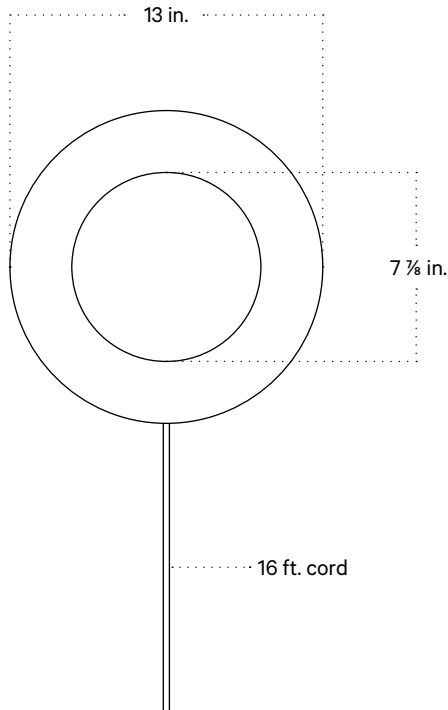


Notes

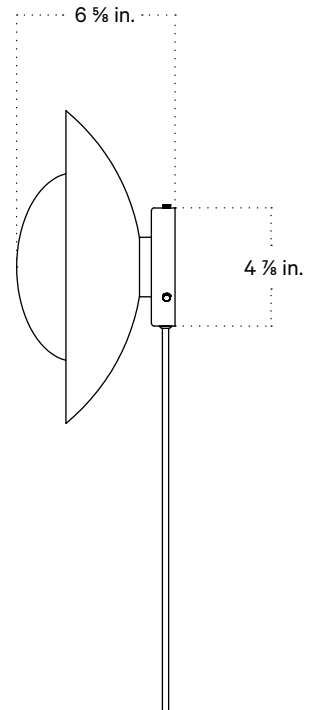
1. This fixture can be ordered with an on/off switch or an inline dimmer; see additional details below.
2. Fixtures ordered with painted metal hardware and an on/off switch come with a 16-foot black fabric cord. The on/off switch is located 8 feet from the plug.
3. Fixtures ordered with painted metal hardware and an inline dimmer have a 16-foot black nylon cord. The dimmer switch is our black painted metal finish and is located 8 feet from the plug.
4. Custom cord color can be specified for an additional cost; please inquire.
5. All painted metal finishes have a 2 week lead time.

Updated June 14, 2023

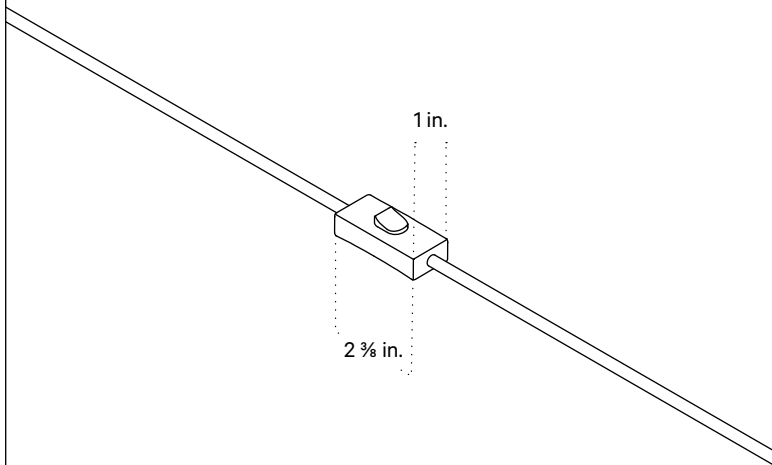
Front View



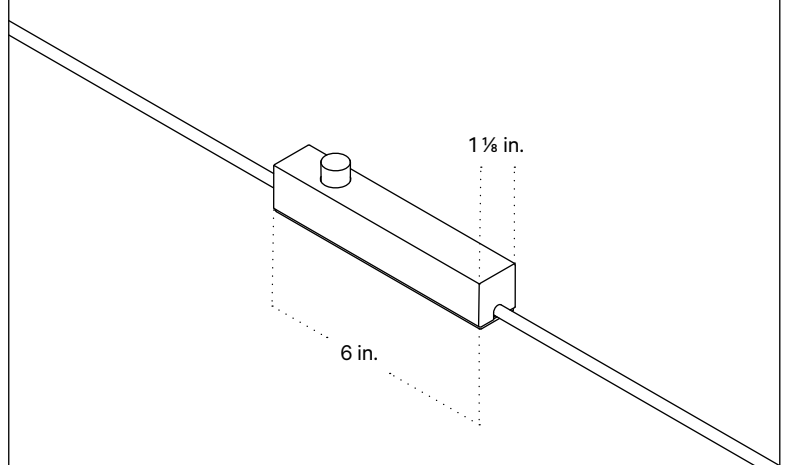
Side View



On/off Switch Detail



Inline Dimmer Switch Detail



Finish Options

Brass, glass, and ceramic samples made or finished by hand may exhibit variability. Available for purchase at incommonwith.com/finishes.

Painted Metal



Black



Bone



Oxide Red



Reed Green



Peach