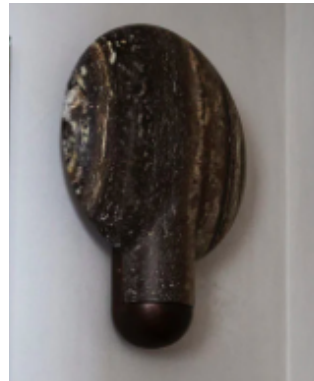


SPARTAN SHOP

TRAVERTINE SURFACE WALL SCONCE



Substantial, architectural sconce with round shade.
Emits soft ambient light that reflects back onto the wall.

Made from solid travertine or black travertine stone and cast blackened bronze

<u>Measurements</u>	<u>Bulb Type</u> *Bulb not supplied	<u>Place of Manufacture</u>
15" tall 11.8" Ø shade 4.3" deep Weight 15 lbs	3.3W LED, E26 base, G16 shape Suggested Lumen Rating: 250lm Voltage: 110-120V / 60Hz AC Dimmability: Bulb dependent	Sydney, Australia

Materials

Metal

The raw metals used will oxidize with age and environment, both of which contribute to the evolution of a natural patina.

Slight variations will occur from one individual piece to another and may include slight ripples or surface pitting.

Stone

Each stone objects is unique. Expect variations of color and veining.

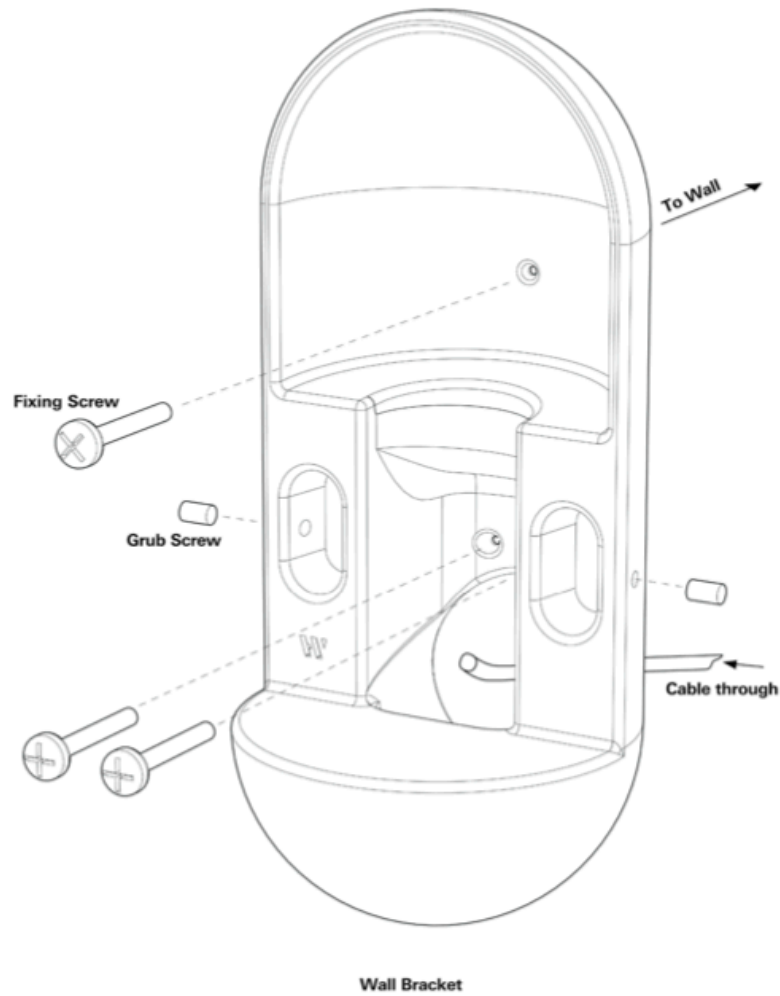
To clean stone items remove any dust with a soft dry cloth. A cloth dampened with warm water will usually remove superficial marks; if more effort is necessary, add a modest amount of pHneutral detergent. Finish by wiping each piece thoroughly with a clean, dry cloth to absorb any residual moisture.

SPARTAN SHOP

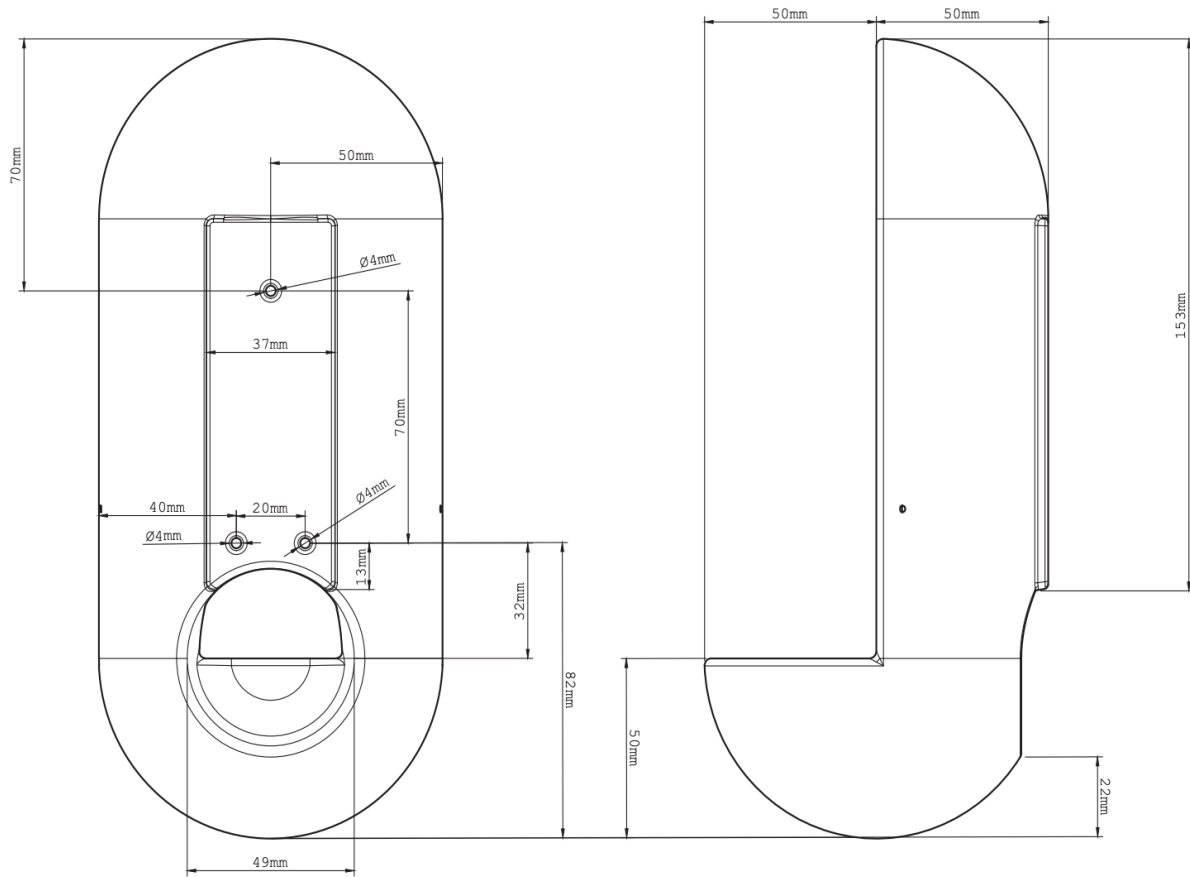
Installation

This fixture has a slender mounting surface which requires the use of a mud ring upon installation. Please note that a professional drywall finisher will be required.

Alternatively, 5" round or square backplates can be ordered for an additional cost in blackened brass.



SPARTAN SHOP



DIMENSION

Ø4mm / 0.15in
13mm / 0.51in
20mm / 0.78in
22mm / 0.86in
32mm / 1.25in
37mm / 1.45in
49mm / 1.93in
50mm / 1.96in
70mm / 2.75in
82mm / 3.22in
153mm / 6.02in