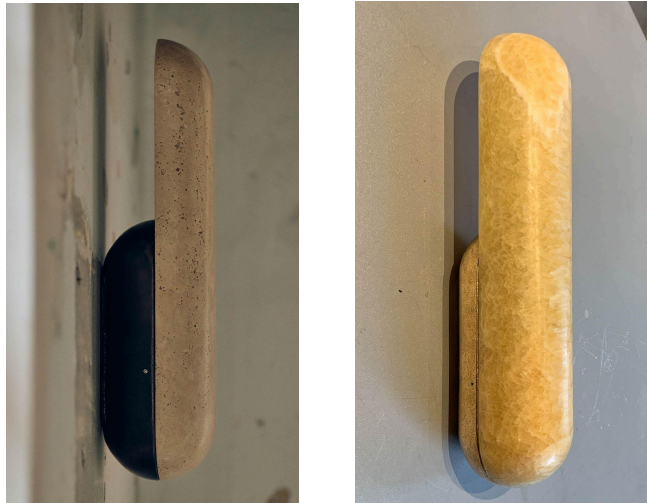


SPARTAN SHOP

PILL SCONCE



Substantial, architectural sconce with elongated pill-shaped stone shade. Mounting plate made of solid, cast bronze. Emits soft ambient light that reflects back onto the wall.

Made from Travertine stone and cast Blackened Bronze or Honey Onyx with Polished Bronze

<u>Measurements</u>	<u>Bulb Type</u> *Bulb not supplied	<u>Place of Manufacture</u>
15.75" tall 4" wide 4" deep Weight 15 lbs	3.3W LED, E26 base, G16 shape Suggested Lumen Rating: 250lm Voltage: 110-120V / 60Hz AC Dimmability: Bulb dependent	Sydney, Australia

Materials

Metal

The raw metals used will oxidize with age and environment, both of which contribute to the evolution of a natural patina.

Slight variations will occur from one individual piece to another and may include slight ripples or surface pitting.

Stone

Each stone object is unique. Expect variations of color and veining.

To clean stone items remove any dust with a soft dry cloth. A cloth dampened with warm water will usually remove superficial marks; if more effort is necessary, add a modest amount of pH-neutral detergent. Finish by wiping each piece thoroughly with a clean, dry cloth to absorb any residual moisture.

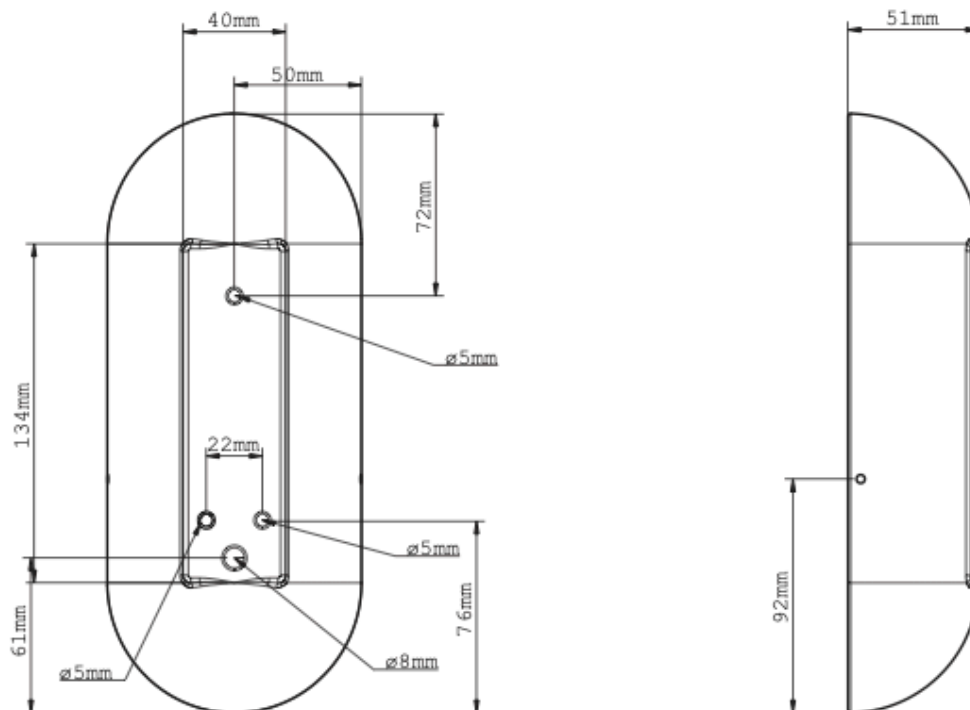
SPARTAN SHOP

Installation

This fixture has a slender mounting surface which requires the use of a mud ring upon installation. Please note that a professional drywall finisher will be required.

Alternatively, 5" round or square backplates can be ordered for an additional cost.

PILL SCONCE BACKPLATE



DIMENSION

Ø5mm / 0.19in
Ø8mm / 0.31in
22mm / 0.86in
40mm / 1.57in
50mm / 1.96in
61mm / 2.40in
72mm / 2.83in
76mm / 2.99in
92mm / 3.62in
134mm / 5.27in

SPARTAN SHOP

