

SPARTAN SHOP

CONICAL WALL LIGHT



Substantial architectural sconce with cone shaped shade. Emits soft ambient light that reflects back onto the metal surface.

Made from cast polished bronze, blackened bronze, or stainless steel.

Measurements

4.75" tall
7.5" Ø shade
7.75" deep

Weight 5.5 lbs.

Bulb Type *Bulb not supplied

3.3W LED, E12 base, G16 shape
Suggested Lumen Rating: 250lm
Voltage: 110-120V / 60Hz AC
Dimmability: Bulb dependent

Place of Manufacture

Sydney, Australia.

Materials

The raw metals used will oxidize with age and environment, both of which contribute to the evolution of a natural patina. If the original bright finish of your pieces is preferred, a polishing solution applied with a soft clean cloth will restore luster. Braso or Silvo is recommended depending on the metal in question.

Slight variations will occur from one individual piece to another and may include slight ripples or surface pitting.

Certifications

Lamp is assembled of UL listed parts; overall unit is not UL certified.

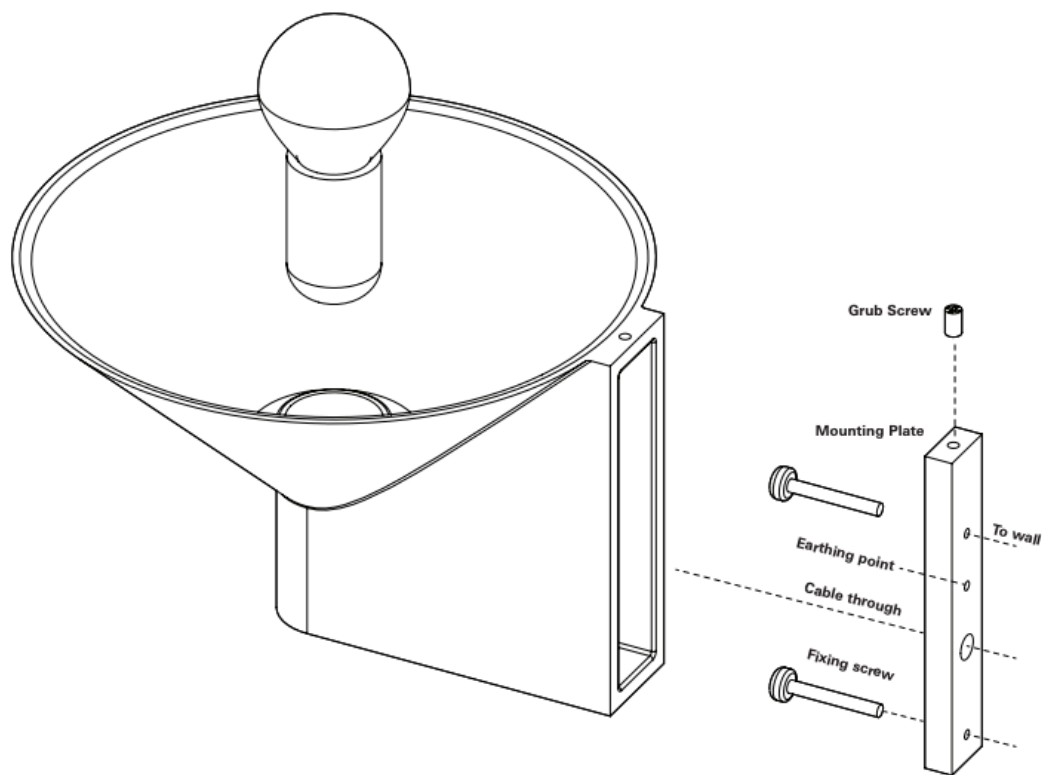
Please inquire for UL listing options and International wiring availability.

SPARTAN SHOP

Installation

This fixture has a slender mounting surface which requires the use of a mud ring upon installation. Please note that a professional drywall finisher will be required.

Alternatively, 5" round or square backplates can be ordered for an additional cost.



Outdoors: This light can be installed outdoors if installed in the downward facing position. In this application, it is best to wire it low voltage 12/24V.

It is recommended that a clear silicone caulk is used along the top and sides of the mounted surface where the sconce meets the wall in order to prevent water from dripping behind the light. The underside of the mounted surface should not be sealed in order to allow condensation and moisture to escape.