

# SPARTAN SHOP

## PILL SCONCE



Substantial, architectural sconce with elongated pill shaped stone shade. Mounting plate made of solid, polished sand cast bronze. Emits soft ambient light that reflects back onto the wall.

Classico Travertine with Blackened Bronze or Honey Onyx with Polished Bronze

### Measurements

15.75" tall, 4" wide, 4" deep

Weight 10.5 lbs.

### Bulb (not included)

9W LED max.  
Edison Ø26 mm (E26)  
Suggested lumen rating 250lm  
Wattage - 3.3W Equiv 25w  
incandescent  
Voltage 110-120v / 60hz ac

Dimmability- bulb dependent

### Place of Manufacture

Sydney, Australia & Porto,  
Portugal

### Materials

Metal - The raw metals used may oxidize with age and environment, both of which contribute to the evolution of a natural patina. If the original bright finish of your pieces is preferred, a polishing solution applied with a soft clean cloth will restore luster.

Braso or Silvo is recommended depending on the metal in question.

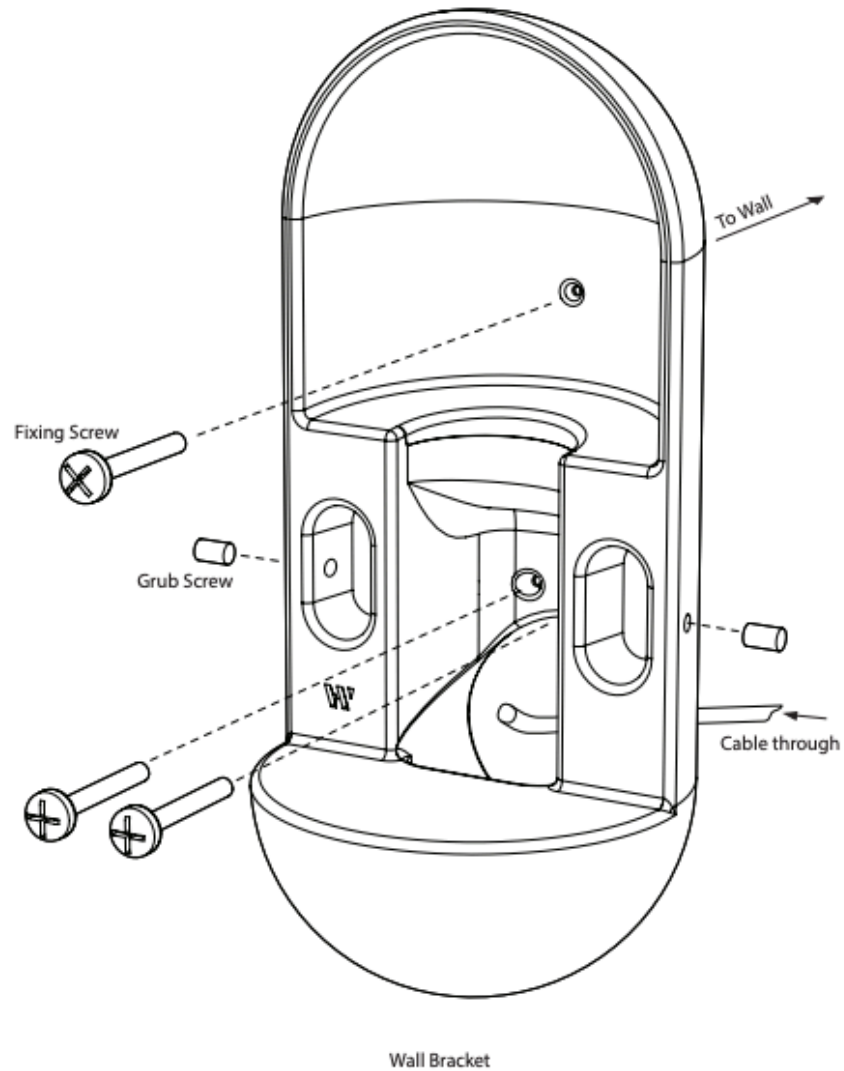
Slight variations will occur from one individual piece to another and may include slight ripples or surface pitting.

Stone - The surface is left unsealed, with porous sections left unfilled; due to this approach and to the qualities of natural stone, color and veining will vary from one sconce to another.

### Certification

Lamp is assembled of UL listed parts; overall unit is not UL certified.

# SPARTAN SHOP



---

## Installation

This fixture has a slender mounting surface which requires the use of a mud ring upon installation. Please note that a professional drywall finisher will be required.

Alternatively, a custom backplate can be ordered for an additional cost.

---