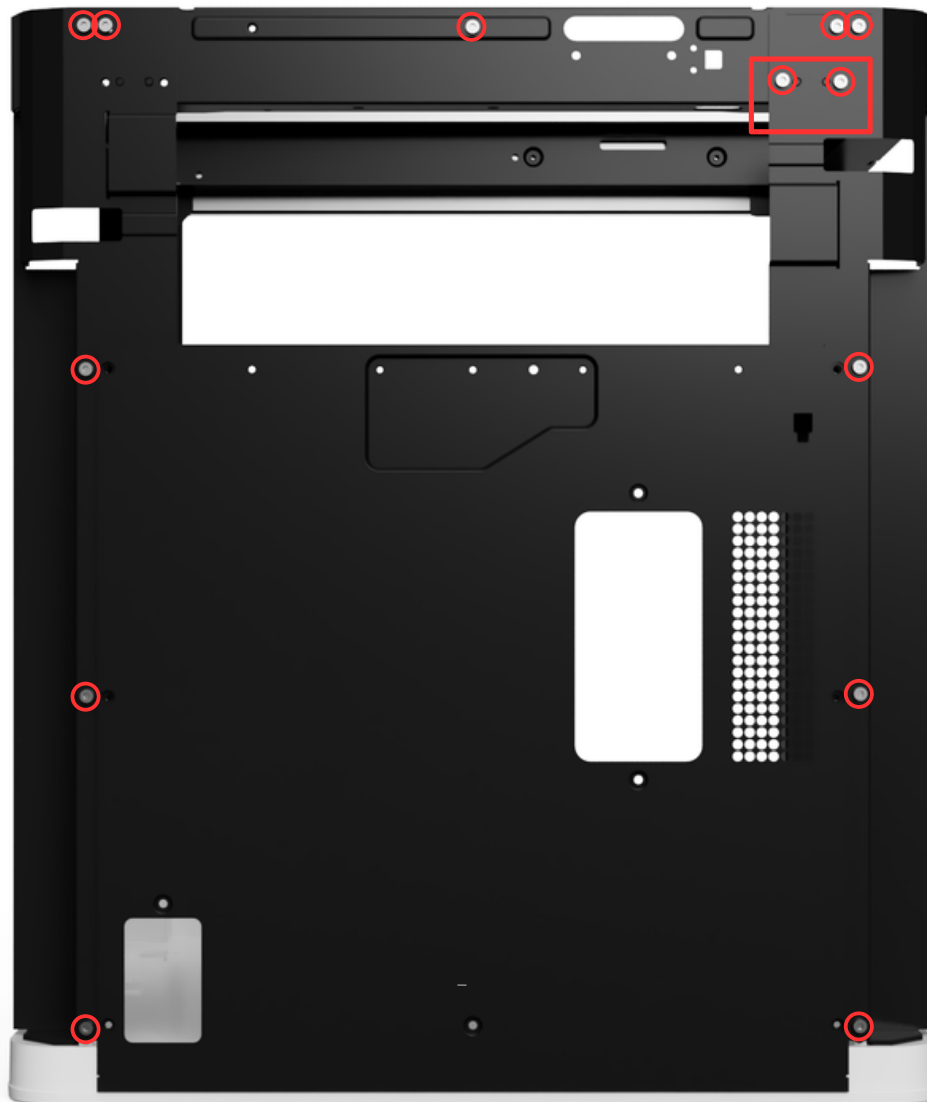


Step 1

Remove the screws marked in the red circle (using included Hex Key) -
Remove the PTFE tube filament entrance marked in the red rectangle.

BACK SIDE



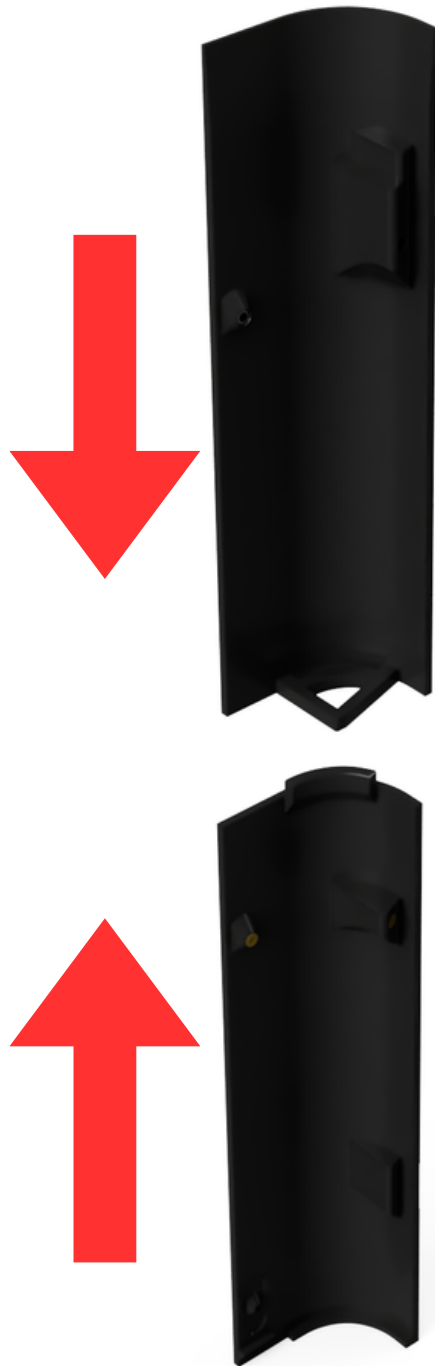
VOXEL

THE MOST RELIABLE FILAMENT ON EARTH

WWW.VOXELPLA.COM

Step 2

Assemble the two halves of all the VOXELPETGE printed frame (A1, A2, B1, and B2) and snap them together by lining up the opening and the peg.



VOXEL

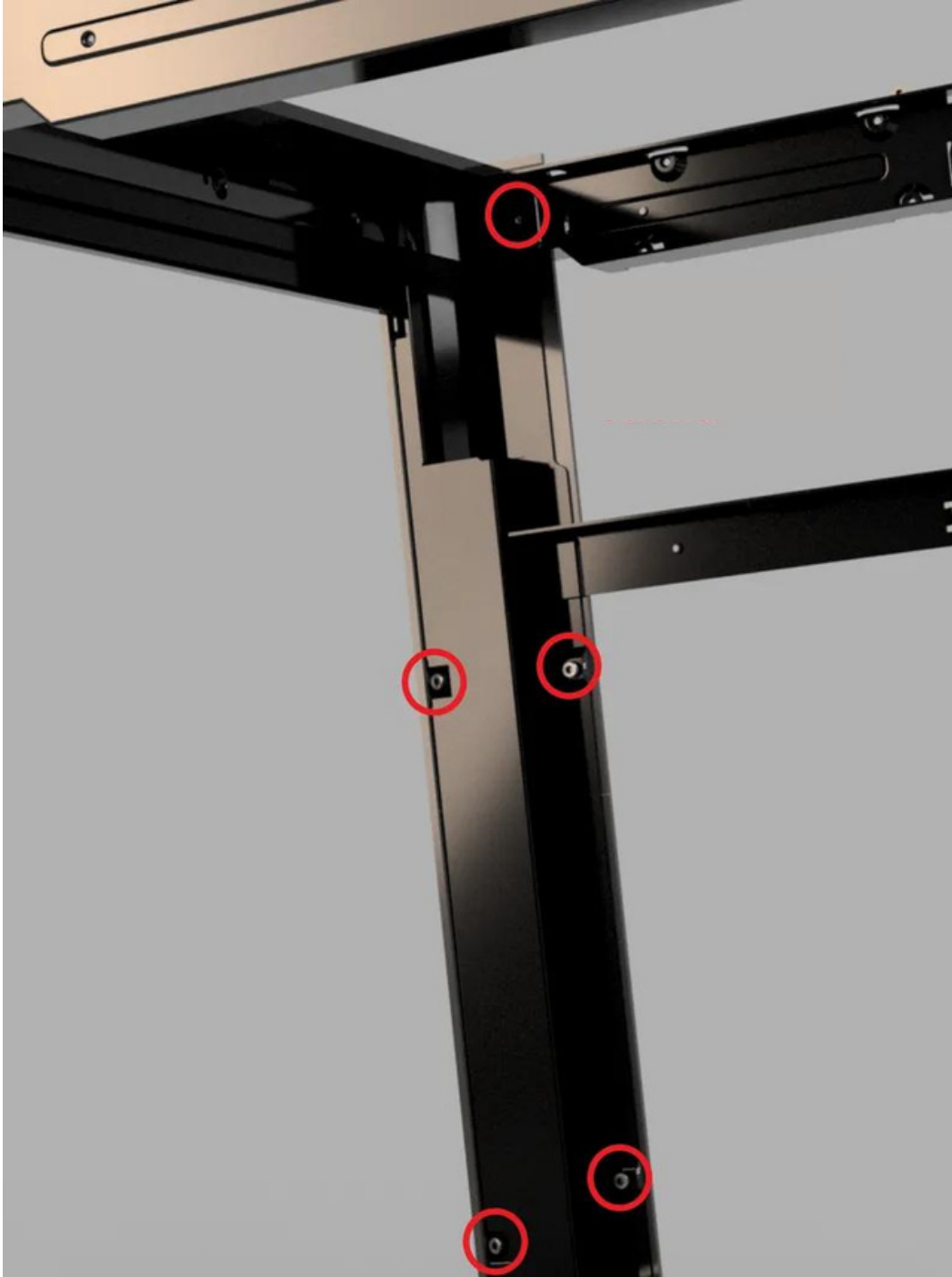
THE MOST RELIABLE FILAMENT ON EARTH

WWW.VOXELPLA.COM

Step 3

Line up the assembled A1 to the front left corner and screw in the **M3 x 6mm** from inside the P1P. Repeat this step for the front right (A2 frame).

The top screw is self-threaded and doesn't have the threaded insert.



VOXEL

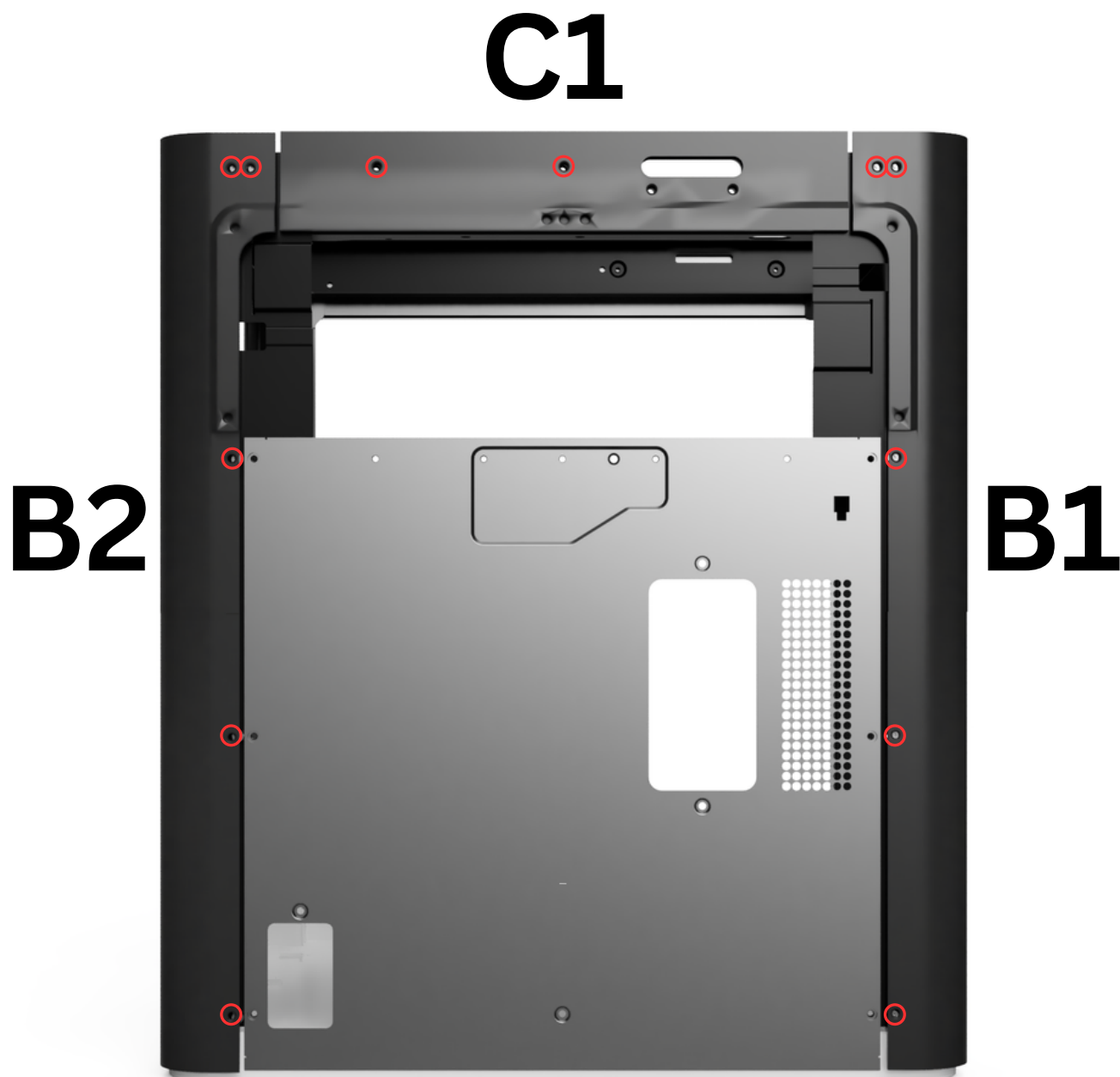
THE MOST RELIABLE FILAMENT ON EARTH

WWW.VOXELPLA.COM

Step 4

Line up B1 (Back Left), B2 (Back Right), and C1 (in between the top of B1 and B2)

Screw in places marked with red circles using **M3 x 6mm** screws to secure the three back frames.



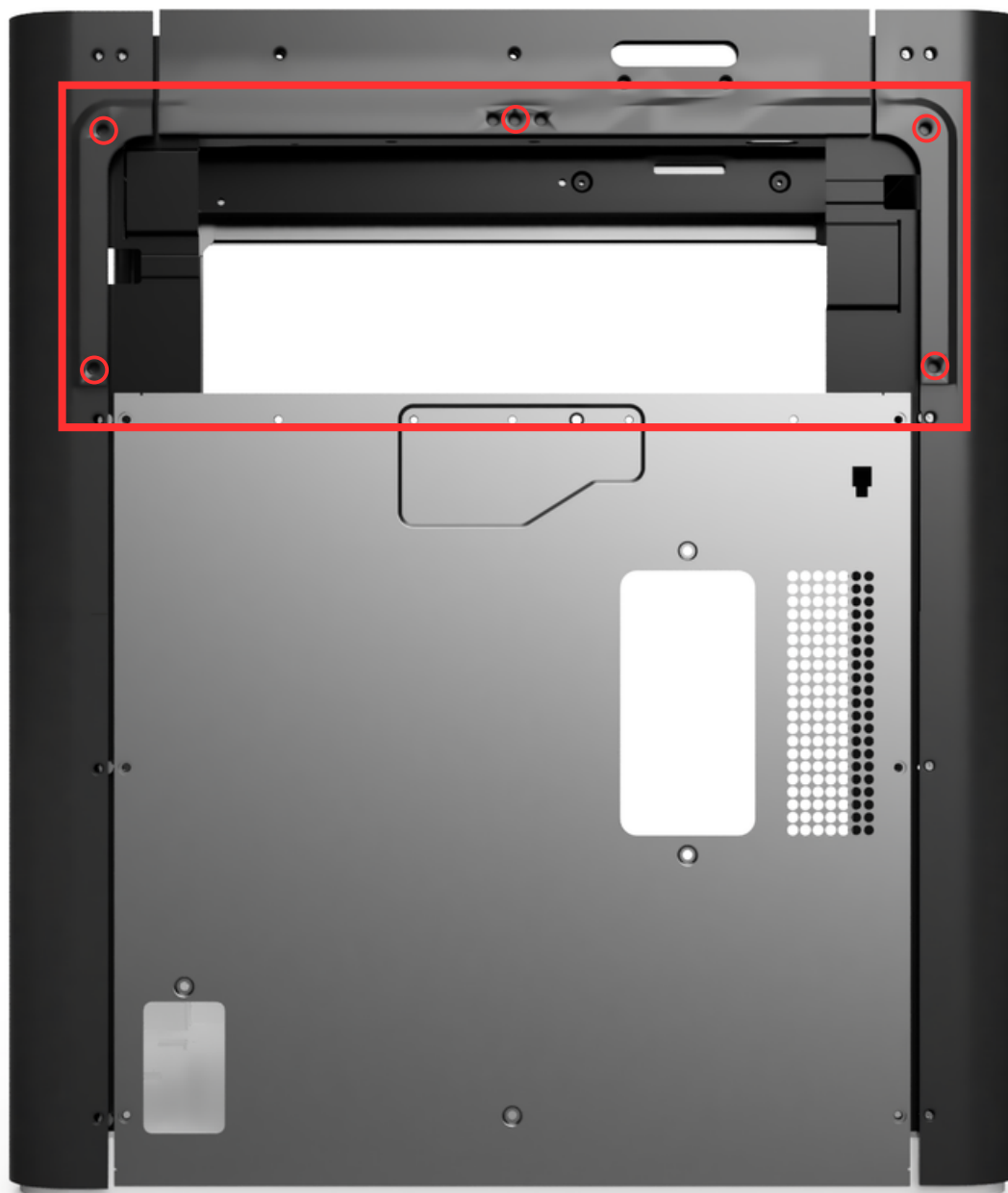
VOXEL

THE MOST RELIABLE FILAMENT ON EARTH

WWW.VOXELPLA.COM

Step 5

Remove the protective paper on the back panel - attach it using M3 x 6mm - screw in holes marked with red circles.



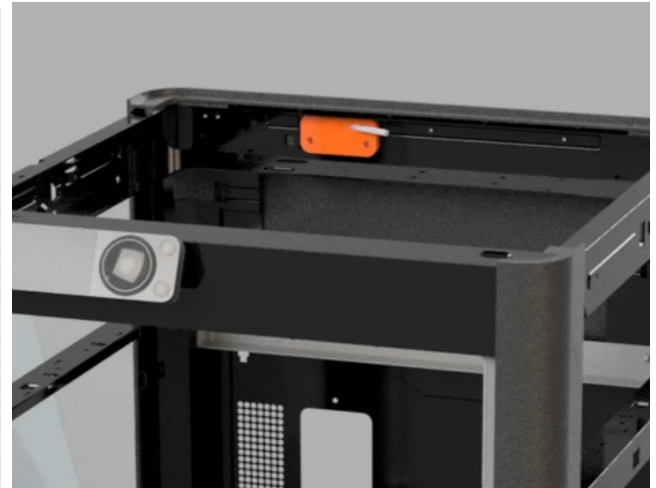
VOXEL

THE MOST RELIABLE FILAMENT ON EARTH

WWW.VOXELPLA.COM

Step 6

Install the PTFE tube guide, the location is shown by the red rectangle box - Screw the tube guide in using **M3 x 6mm** screws. The PTFE tube guide is inserted from the inside of the machine, as shown in the second image.



VOXEL

THE MOST RELIABLE FILAMENT ON EARTH

WWW.VOXELPLA.COM

Step 7

Remove all protective paper cover on the acrylic panels - Install the handle using the **M3 x 8mm FLAT head screws**. Repeat for the front, top, and 2 side panels.



VOXEL

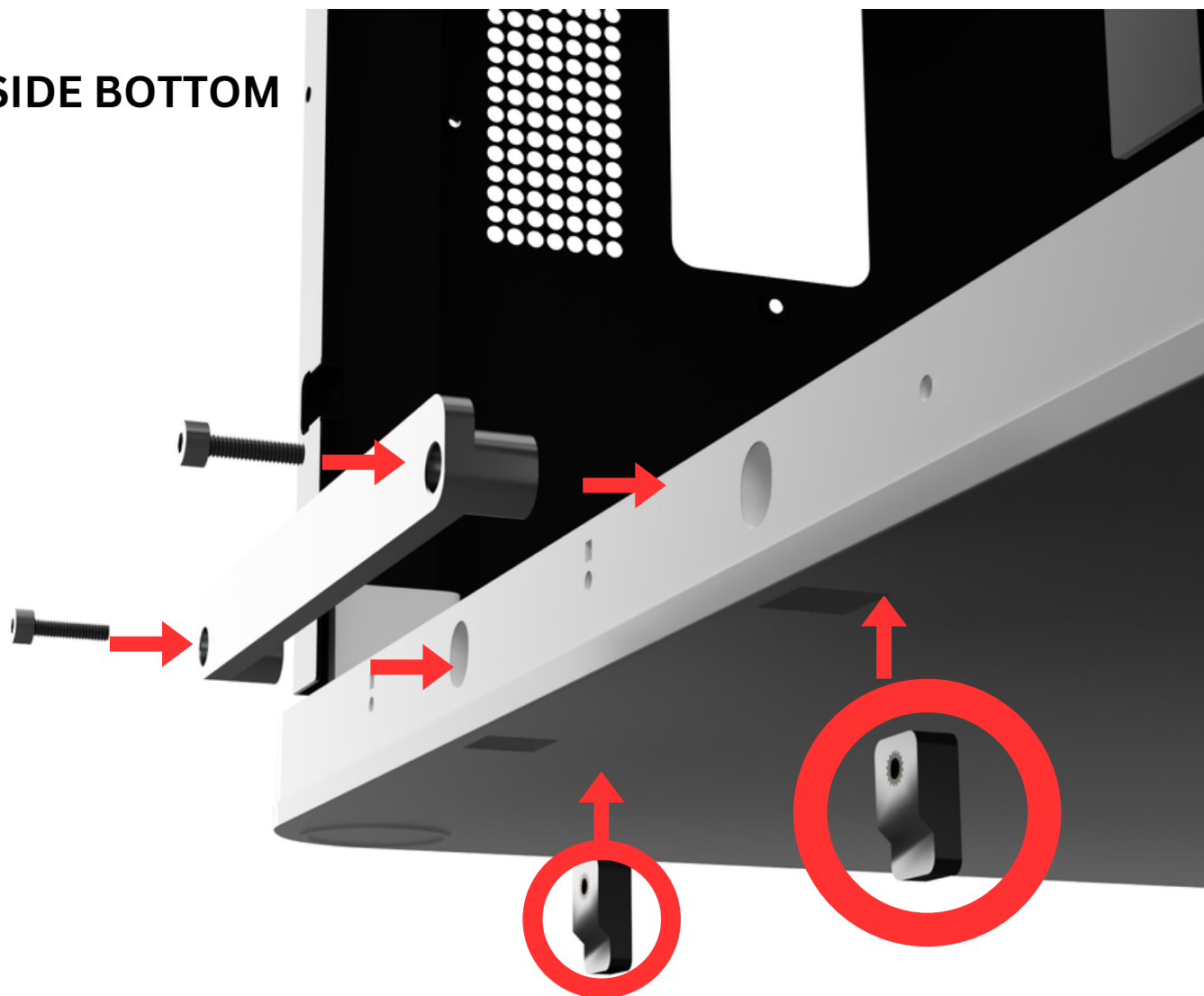
THE MOST RELIABLE FILAMENT ON EARTH

WWW.VOXELPLA.COM

Step 8

Install side panels acrylic support using M3 x 12mm screws. The small inserts circled below are inserted from the bottom of the P1P. Repeat for both sides.

P1P SIDE BOTTOM



VOXEL

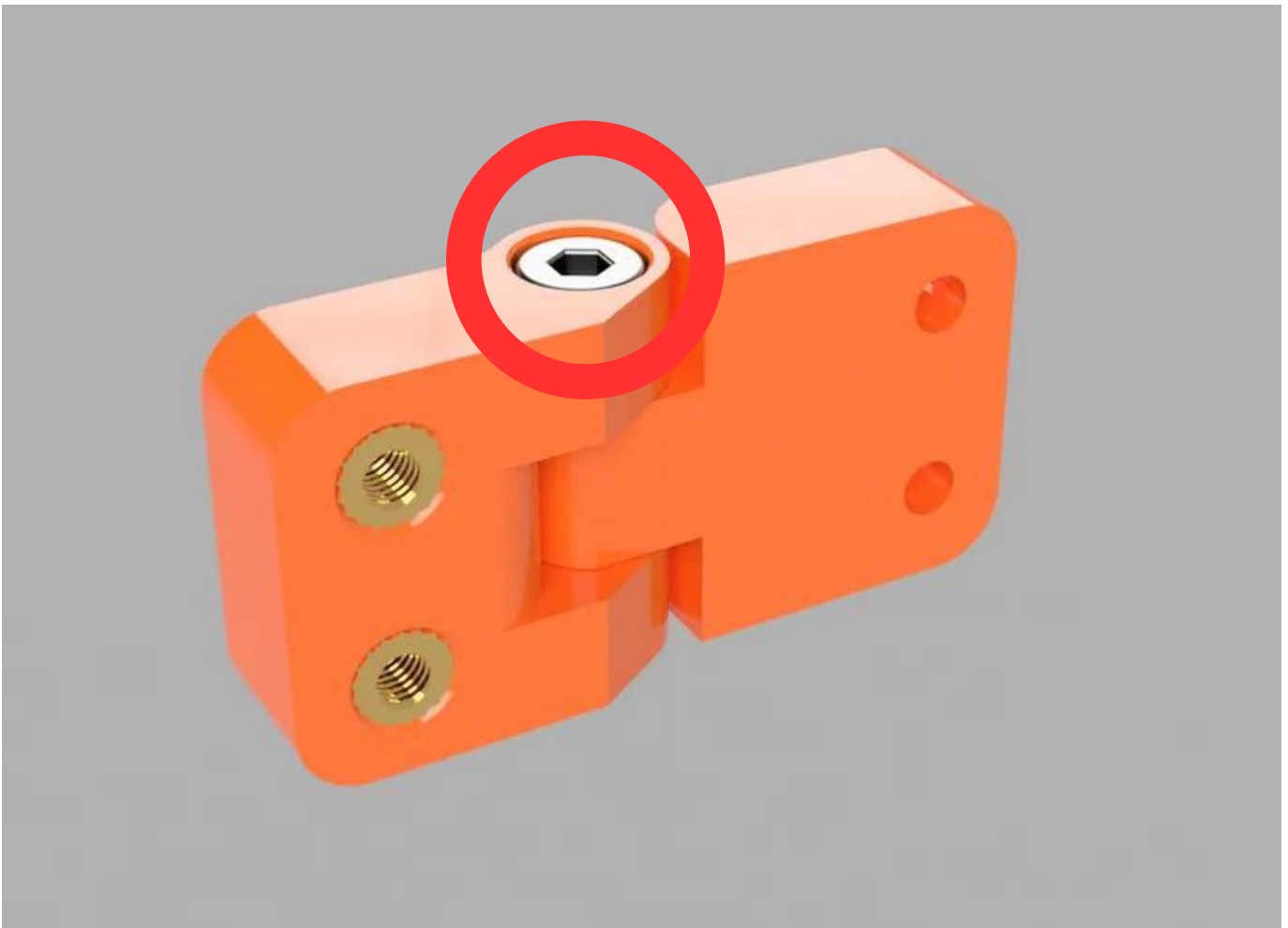
THE MOST RELIABLE FILAMENT ON EARTH

WWW.VOXELPLA.COM

Step 9

Screw in the **M3 x 16mm** screw into the center circle of the two hinge halves. The screw acts like a hinge for the two halves.

Repeat twice to make two hinges for the front panel.



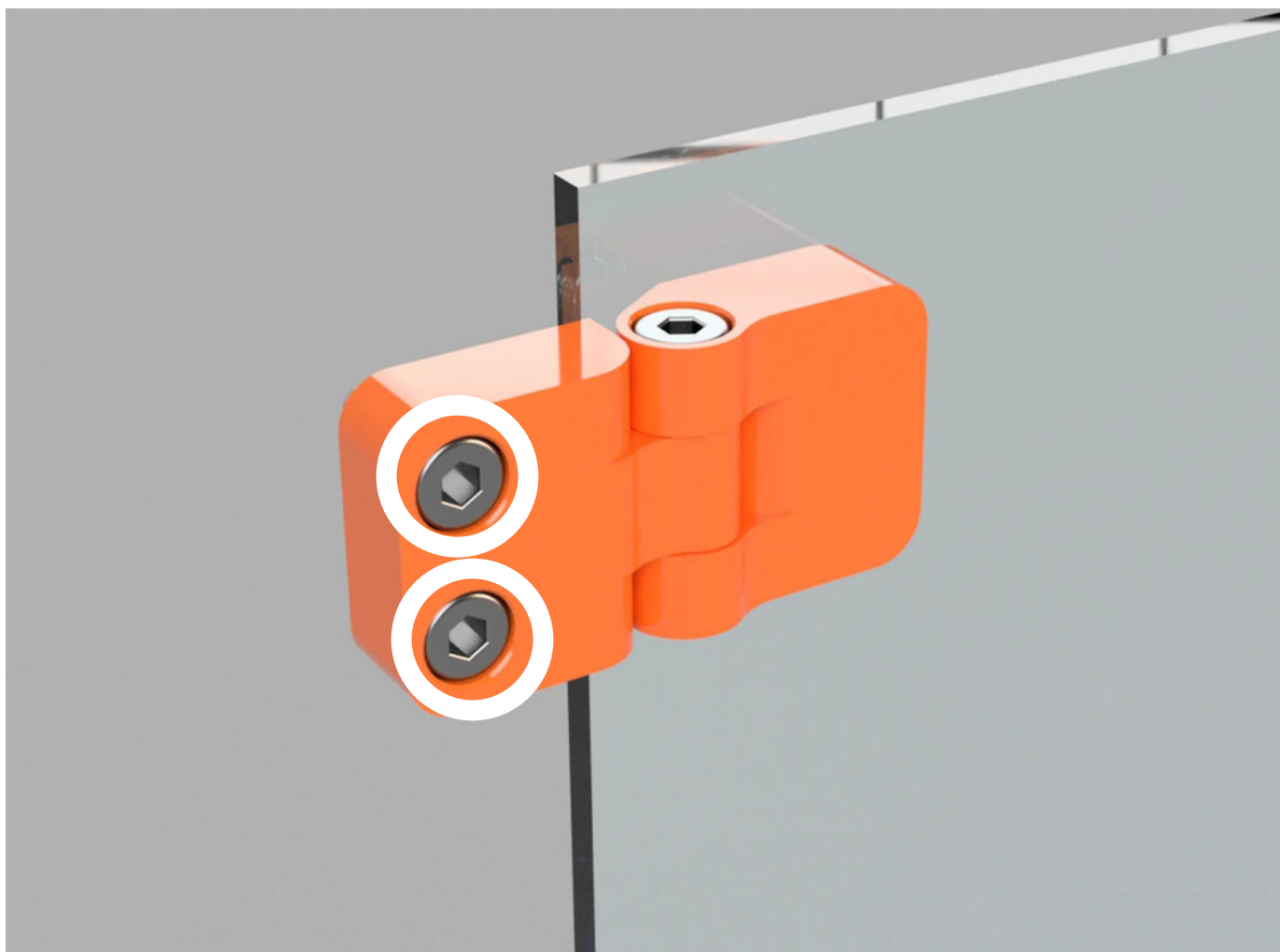
VOXEL

THE MOST RELIABLE FILAMENT ON EARTH

WWW.VOXELPLA.COM

Step 10

Install the two hinges into A1 frame using **M3 x 8mm** screws.



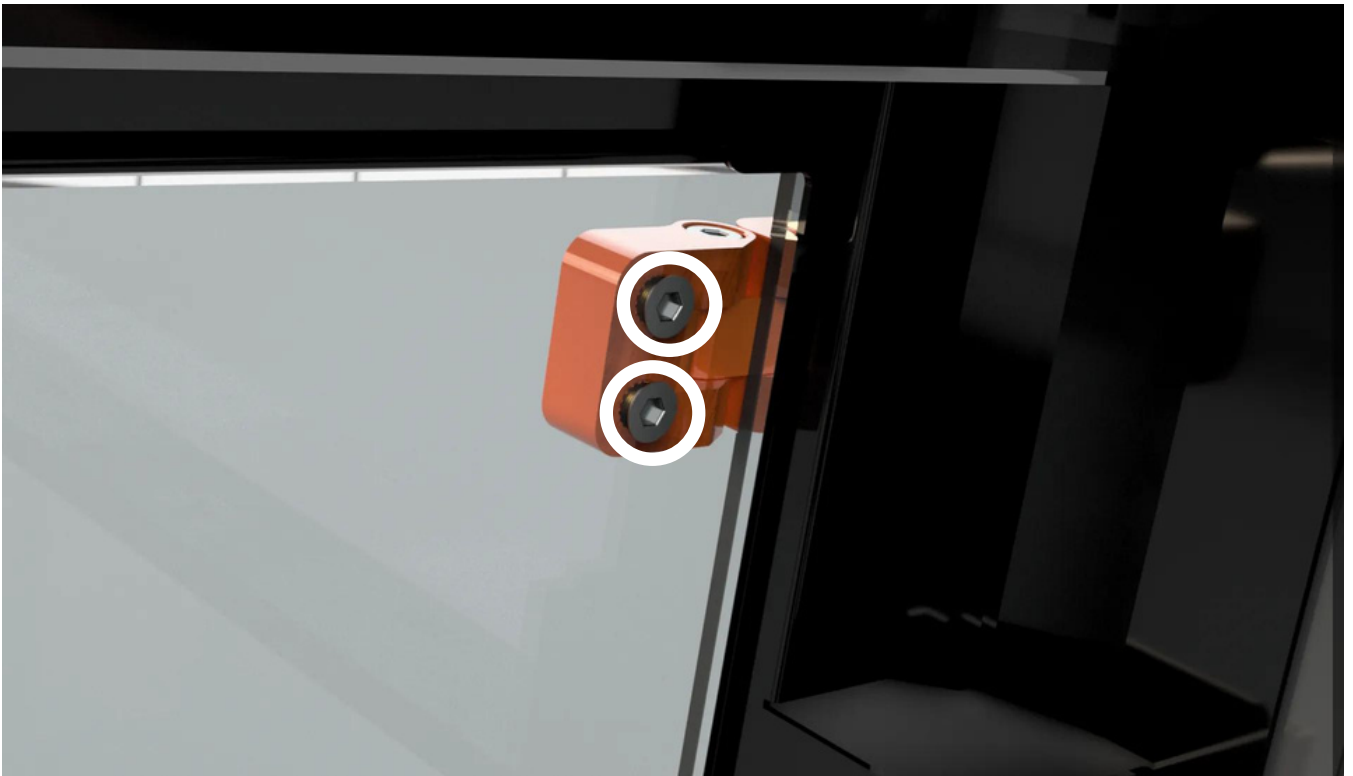
VOXEL

THE MOST RELIABLE FILAMENT ON EARTH

WWW.VOXELPLA.COM

Step 11

Attach the front panels to the hinges using **M3 x 6mm flat head screws**. - if you haven't removed the protected paper film, please do so now.



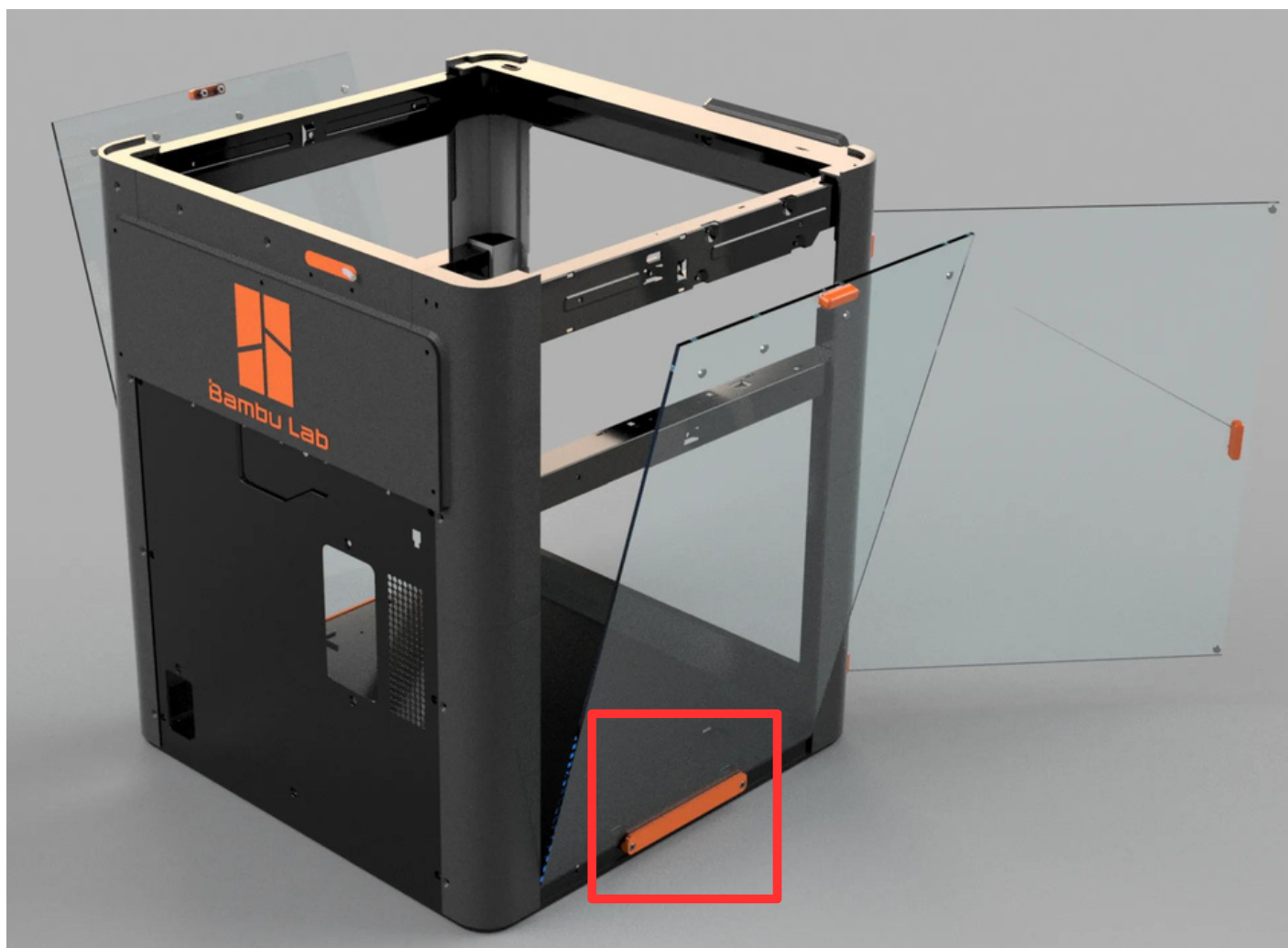
VOXEL

THE MOST RELIABLE FILAMENT ON EARTH

WWW.VOXELPLA.COM

Step 13

Slide in the side panel into the bottom support piece - Repeat for both side panels.



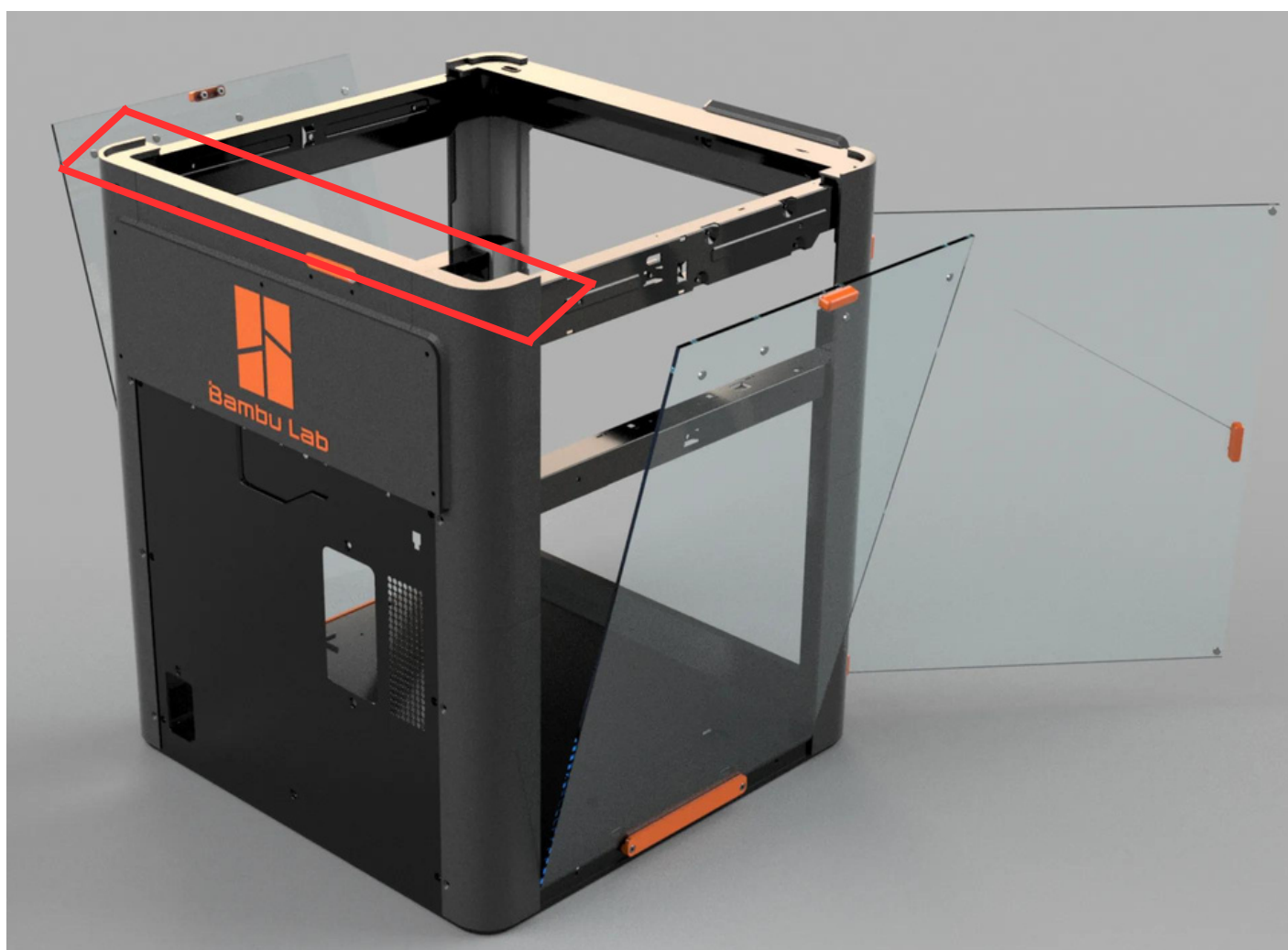
VOXEL

THE MOST RELIABLE FILAMENT ON EARTH

WWW.VOXELPLA.COM

Step 14

Install the 2 L pieces to the top back of the printer by lining up the grooves and holes and push it in place.



VOXEL

THE MOST RELIABLE FILAMENT ON EARTH

WWW.VOXELPLA.COM

Step 15

Peel off the adhesive backing of the top cover support (marked with white box) and stick it into the top of the P1P, lining it up with the side panel handles - Repeat for both the right and left side.



VOXEL

THE MOST RELIABLE FILAMENT ON EARTH

WWW.VOXELPLA.COM

VOXEL

THE MOST RELIABLE FILAMENT ON EARTH

If you have any questions or product suggestions, please contact
support@voxelpla.com

