

Fitting Instructions:

Perfect Fit Blinds

YOU SHOULD HAVE:



Frame clips
x4
minimum



Side
frame
x2



Top frame
with blind
& bottom
frame



Adjustment
wand
(optional)

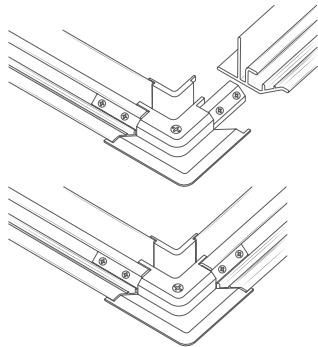
TOOLS NEEDED:



Crossheaded
screwdriver

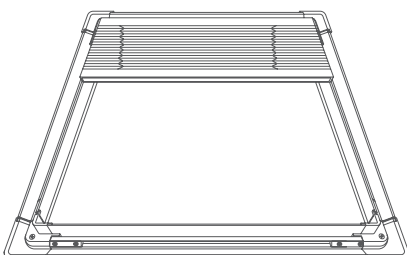
INSTRUCTIONS

1.



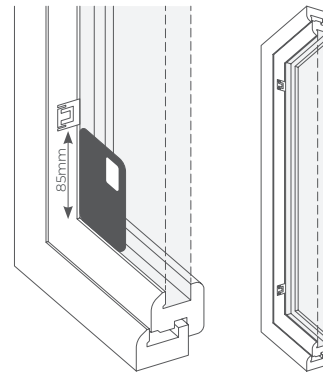
Slot the one of the side frames into the bottom frame, making sure to line up the five small holes at the corners, then screw it into position. Repeat for the other side frame.

2.



Position the top part of the frame and place it onto the right and left side frame like before - slotting them into place, aligning, and fixing onto each side frame with the screws provided.

3.



Measure 85mm distance from the corner of the frame up the side of the panel. You can do this simply by resting a credit card vertically on the frame. Line up the frame clip with the top of the credit card and then slot the clip into place, pushing the clip into the seal against the glass. Repeat this process for all four corners. For ease of insertion, you can use a lubricant, such as washing up liquid, on the base of each frame clip.

4.



Once you have the four frame clips fixed into place, carefully slot the perfect blind onto the clips, pressing firmly until you hear a clicking sound.