

General description:

- Classic model, disassembled structure,can be flat packing and easy to transport;
- Tempered glass front door with advanced spring lock , Steel rear door with small round lock;
- Removable side panel with latches, easy to install, optional lock;
- Cable entry on the top and bottom;easy to manager cable
- Adjustable feet and castors are available simultaneously;
- S-shaped mounting profile, free to move forward and back;
- Various optional accessories for common using;



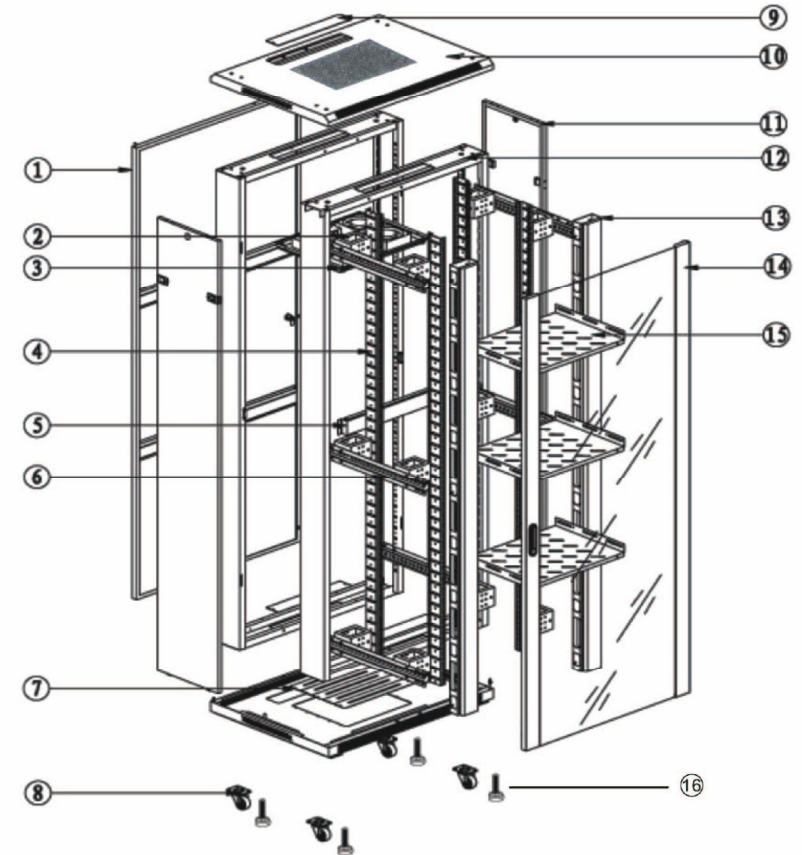
Front



Rear



S/N	LE-NA
Standard	Comply with ANS/EIA RS-310-D,IEC297-2,DIN41491,PART1,DIN41491,PART7,ETSI Standard
Material	SPCC quality cold rolled steel; Mounting profile:thickness:2.0mm ; Others:1.2mm ; Tempered glass:thickness:5mm
Loading Capacity	Static loading: 800kg (on the adjustable feet)
Degree of protection	IP20
Surface finish	Degreasing , Pickling , Phosphating , Powder Coated
Product specification	18U-47U Width: 600mm , 800mm Depth: 600mm , 800mm , 900mm , 1000mm , 1200mm



Main Structure:

- | | | | |
|------------------------------|---------------------------|----------------|--------------------|
| 1 Steel rear door | 2 Spacer(for 800mm width) | 3 Fan tray | 4 Mounting profile |
| 5 Blanking panel | 6 Mounting angle | 7 Bottom | 8 Castor |
| 9 Cable entry plate | 10 Top | 11 Side panel | 12 Frame |
| 13 Vertical cable management | 14 Front door | 15 Fixed shelf | 16 Feet |