

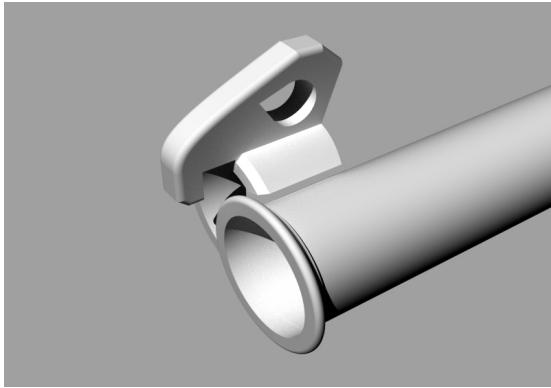
Flute Lab



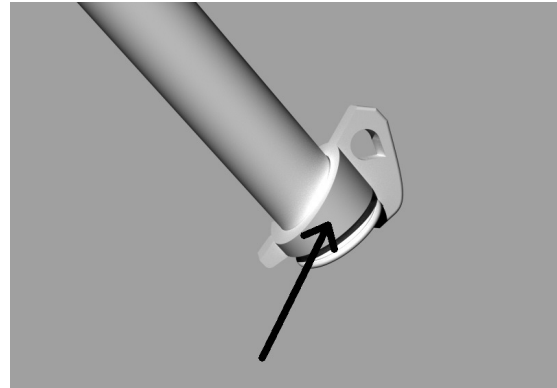
creating solutions

Flutelab neck strap for vertical flute

The strap can be fitted to the flute with a clip that can be easily detached.



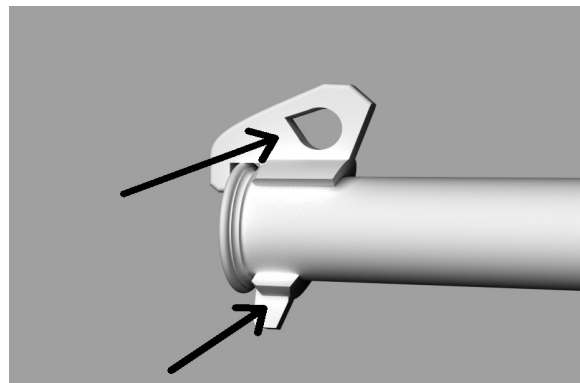
1. Place the clip on the end of the flute. The hook goes under the ring.



2. Push here to firmly attach the clip to the flute.



3. The neck strap attaches to the cord. The cord goes through the eye of the clip.



4. To remove, push the eye and the tab.



5. You are ready to play. Adjust the length of the strap for best comfort. A little adjustment can make a big difference