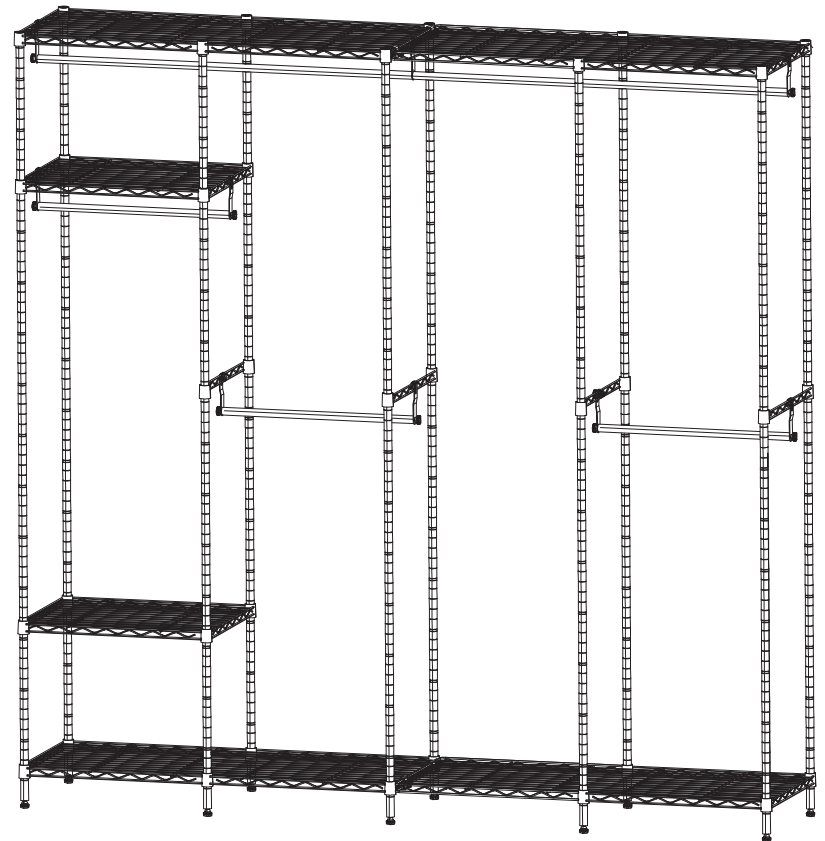
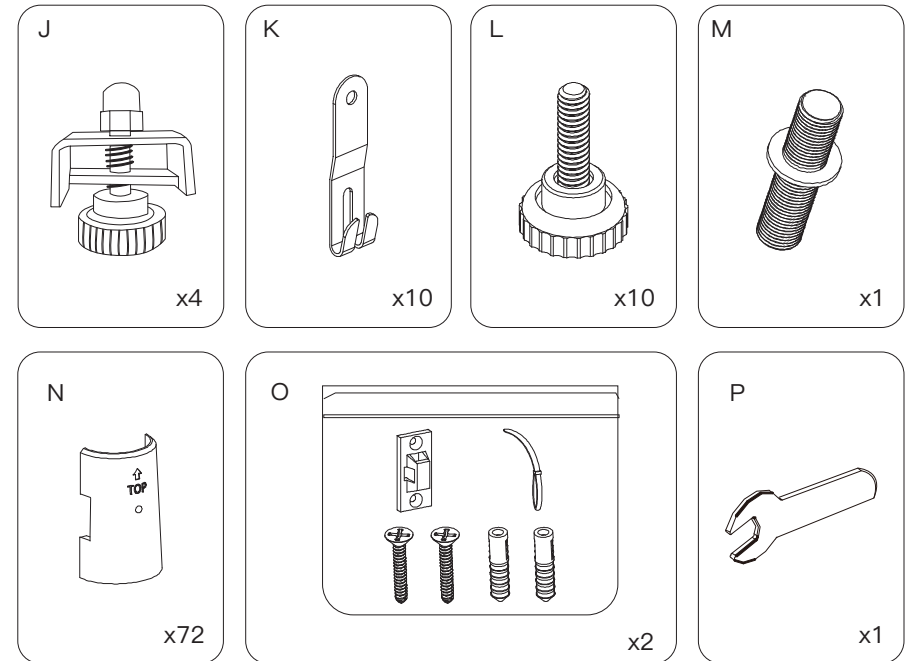
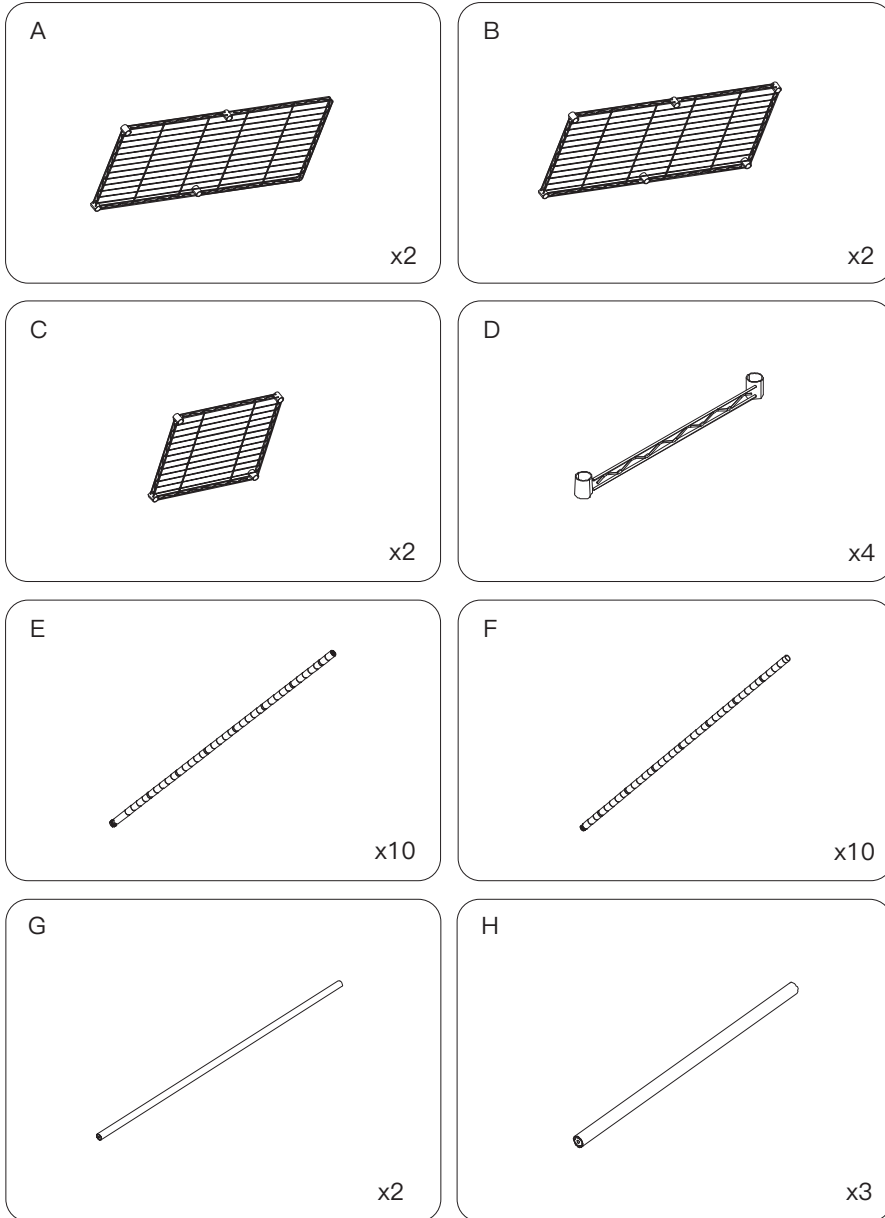


ASSEMBLY INSTRUCTIONS



PART LIST:

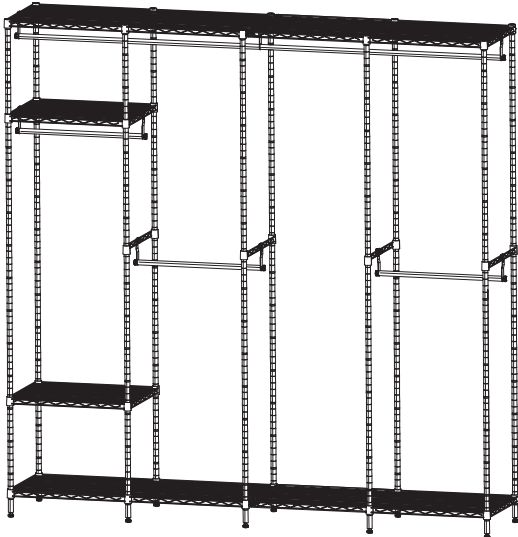


PLEASE KINDLY NOTICE:

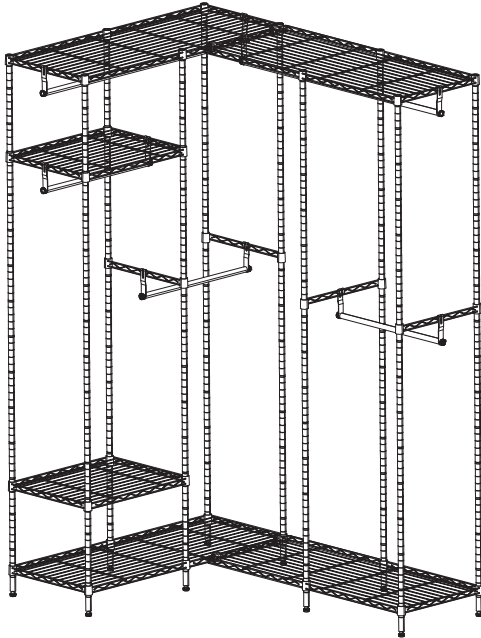
- 1.Part N is used as a group (2PCS in a group). Multiple clearances existing between 2 plastic clips when they have been attached to the poles are not indicative of any quality issue but rather a structural design based on the physical law of thermal expansion and contraction, which is intended to make the metal Steel Shelves firmly fastened to the poles.
- 2.For easier assembly, please strictly follow the order of steps below.
- 3.When assembling, please pay attention to avoid fingers being pinched.
- 4.You can adjust the height of each shelf during installation.
- 5.Please DO NOT load more than the maximum weight described on the product page.

2 OPTIONAL LAYOUT AVAILABLE

TYPE-H
PAGE 4-18

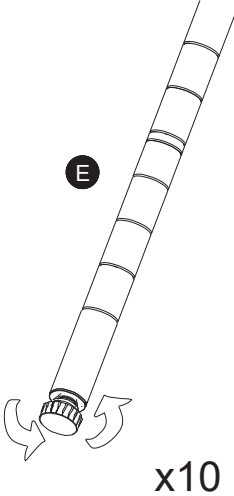
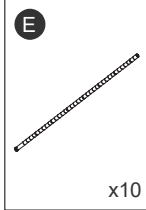


TYPE-L
PAGE 19-33



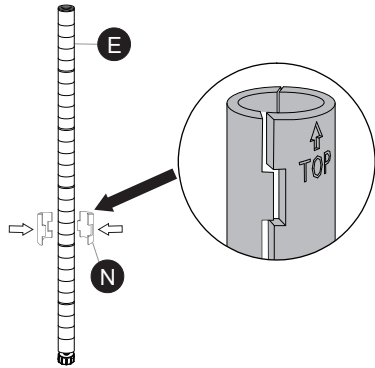
TYPE-H INSTALLATION

Step 1 Fully tighten the pre-installed adjustable feet on part **E**.

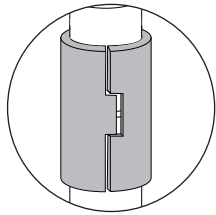
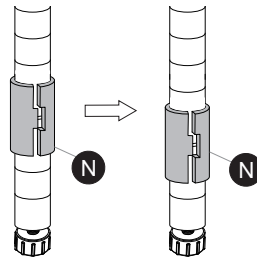


Step 2 Learn to install part **N** on part **E**.

(1) Lock 2 Clips (part **N**) together to the poles.



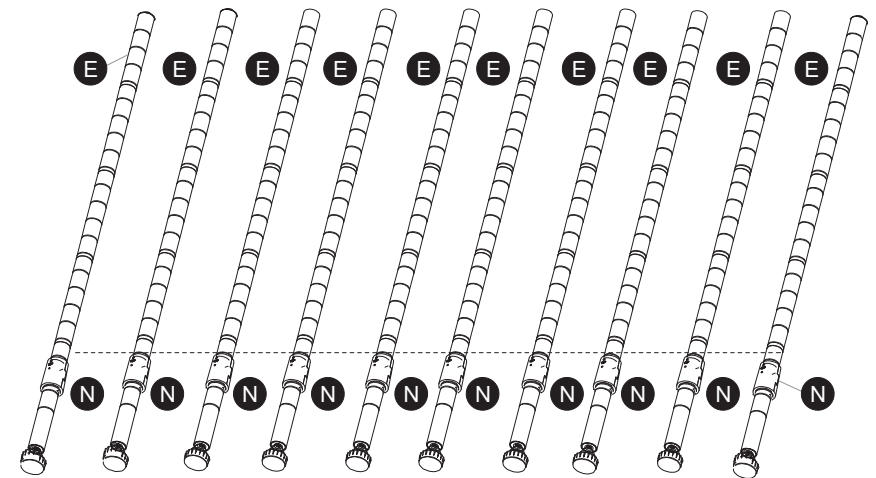
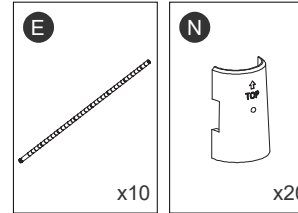
(2) Then slide clip group down to the height the Steel Shelves should be. (Until you get the “ting” sound. Then it’s perfectly locked)



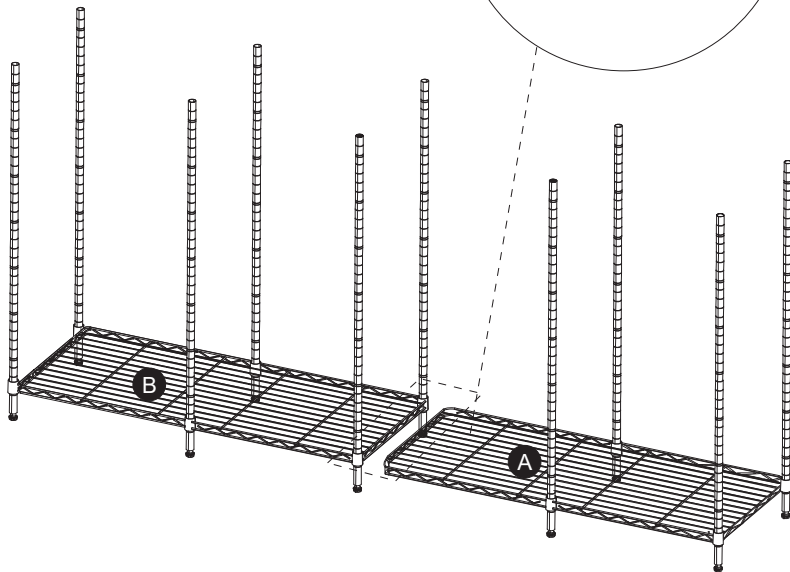
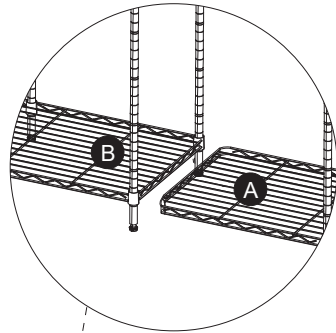
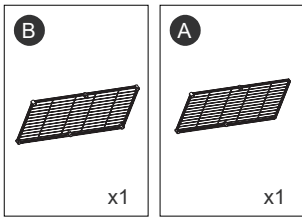
Note:

There is a gap between 2PCS plastic clips assembled onto the poles as shown in the picture, this is a structural design rather than a quality issue, which aims to bind the shelves firmly onto the pole.

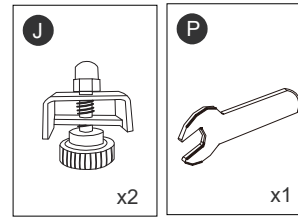
Step 3 Install part **N** on part **E**, and keep them at the same level.



Step 4 Insert part **B** into 6 part **E** and part **A** into 4 part **E**.

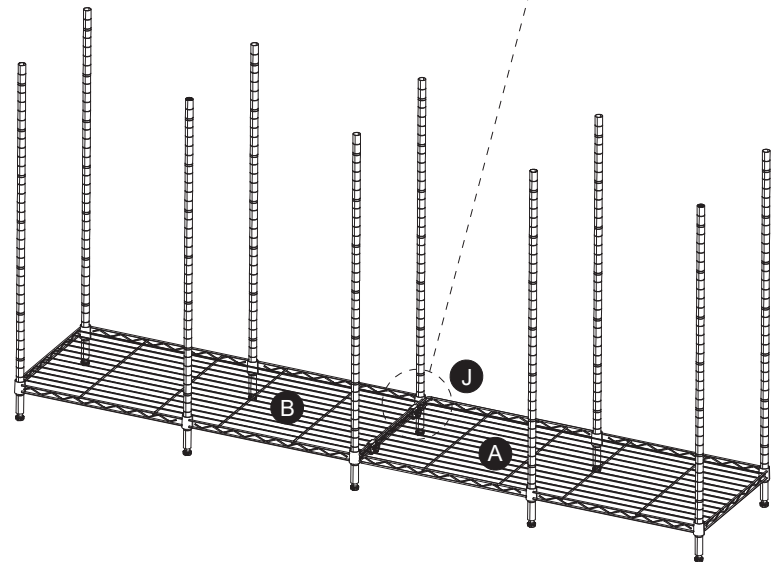
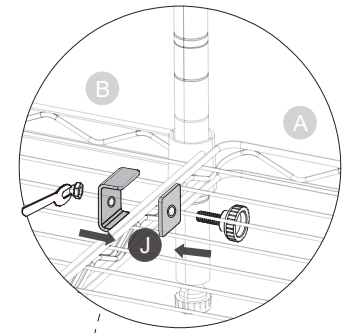


Step 5 Connect part **A** with part **B** by part **J**.



NOTICE:

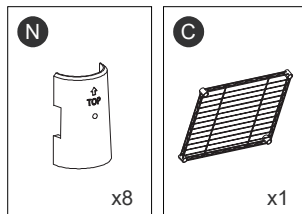
Make sure the square piece and adjustable feet are on the same side firstly, and then tighten other part.



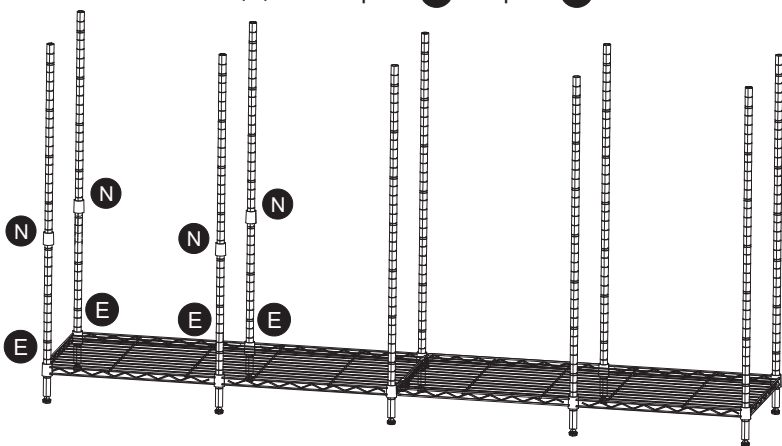
Step 6 Install part **N** on part **E**, and insert part **C** into them.

NOTICE:

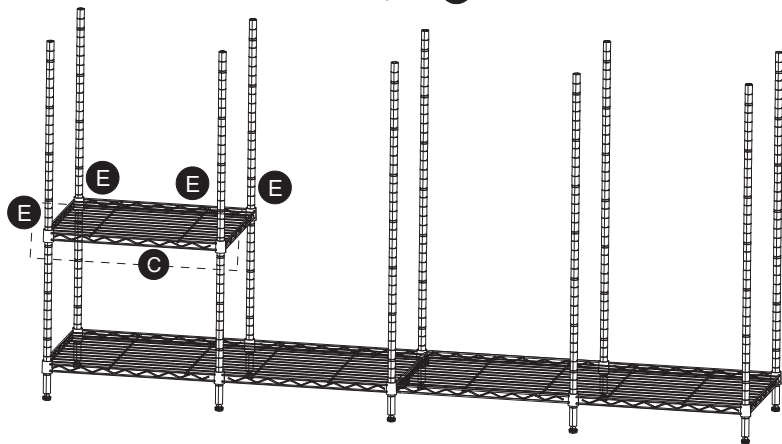
The longer side of part **C** should be installed on the front side.



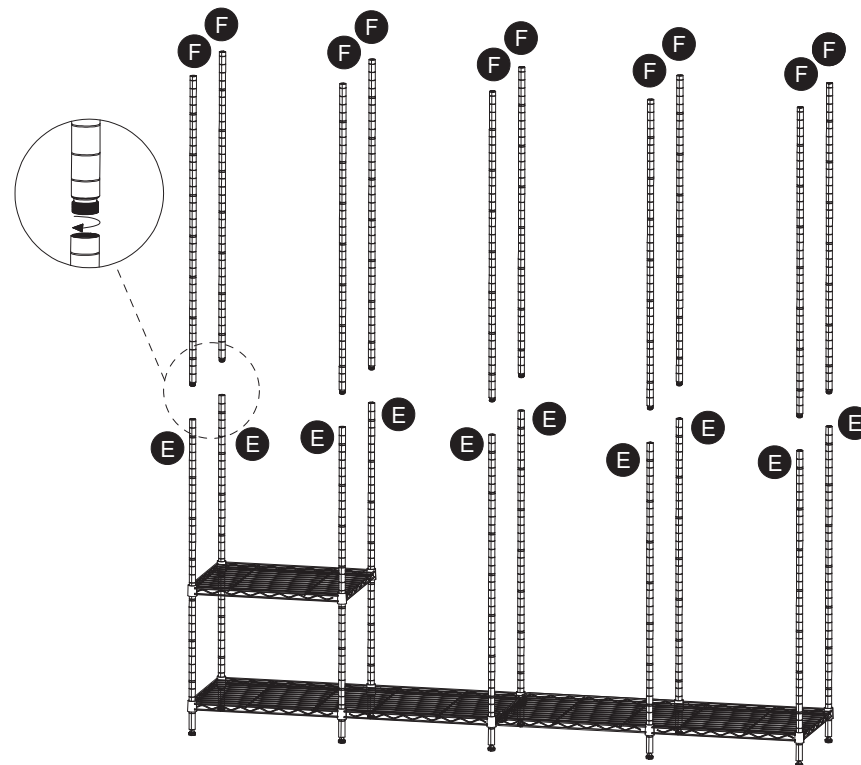
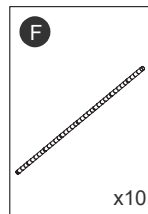
(1) Install part **N** on part **E**.



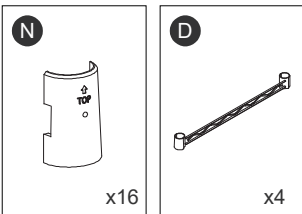
(2) Insert part **C** into them.



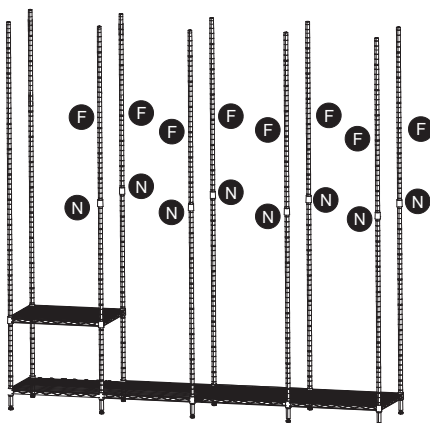
Step 7 Install part **F** on part **E**.



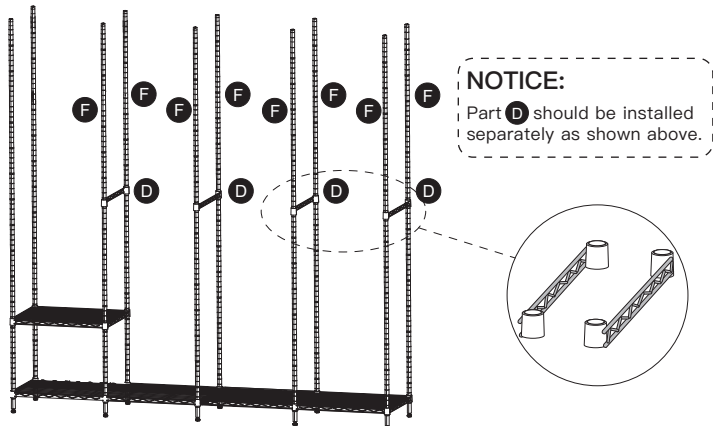
Step 8 Install part **N** on part **F**, and insert part **D** into them.



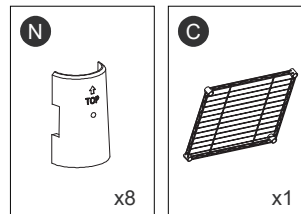
(1) Install part **N** on part **F**.



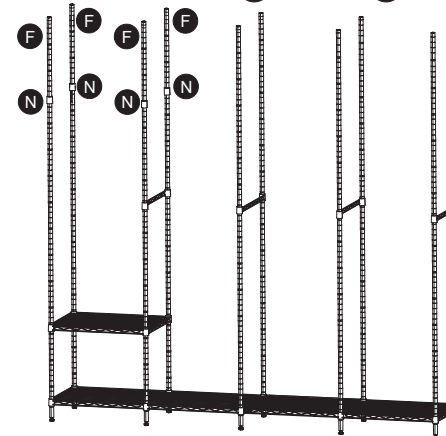
(2) Insert part **D** into them.



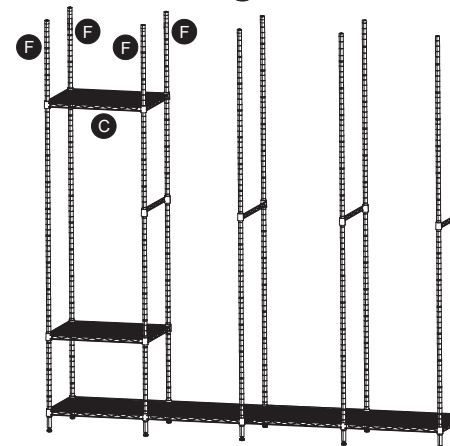
Step 9 Install part **N** on part **F**, and insert part **C** into them.



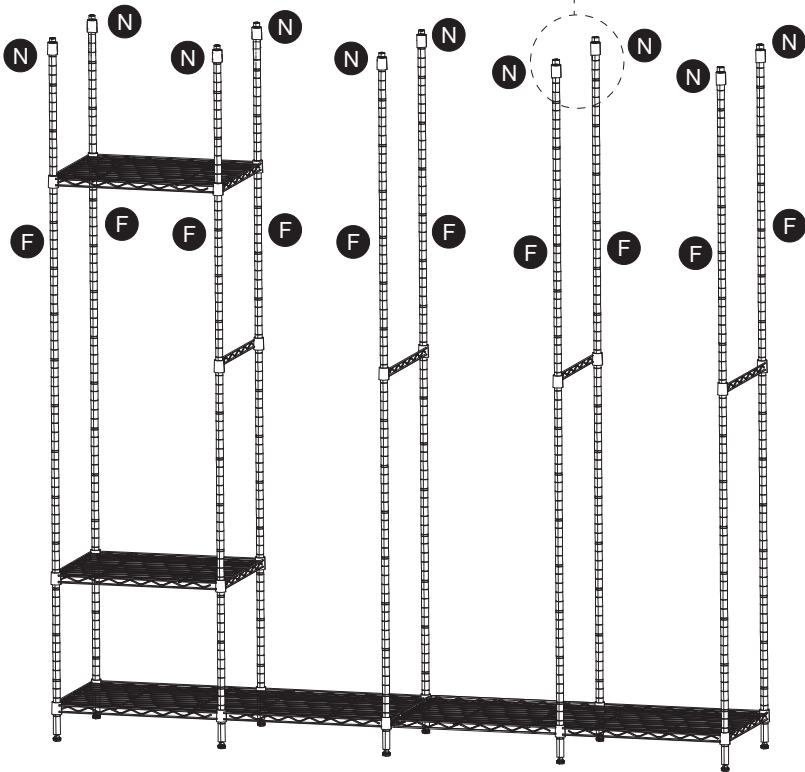
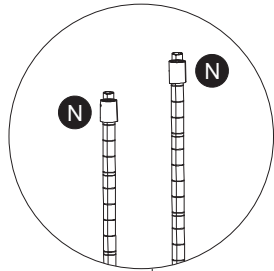
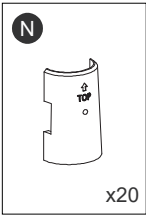
(1) Install part **N** on part **F**.



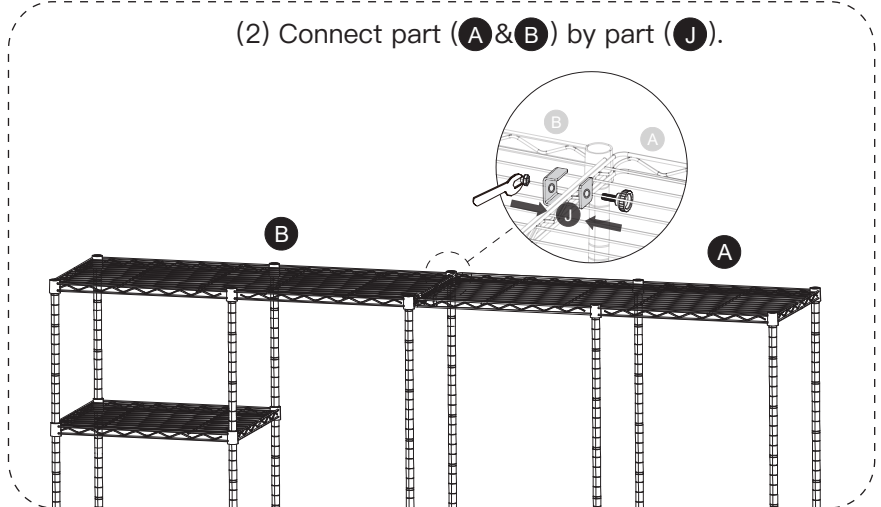
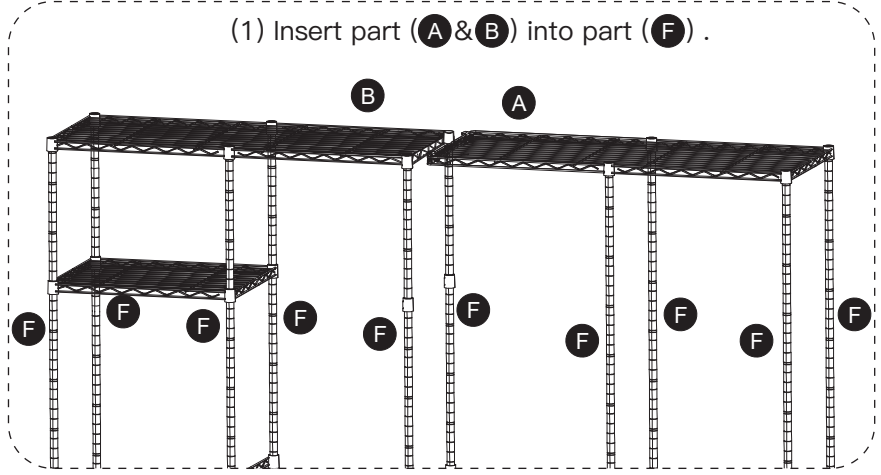
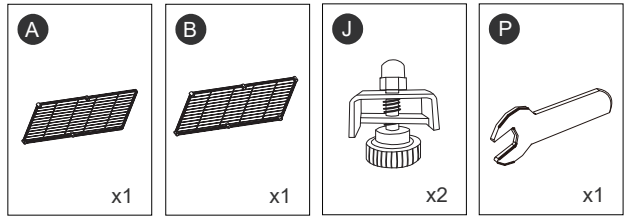
(2) Insert part **C** into them.



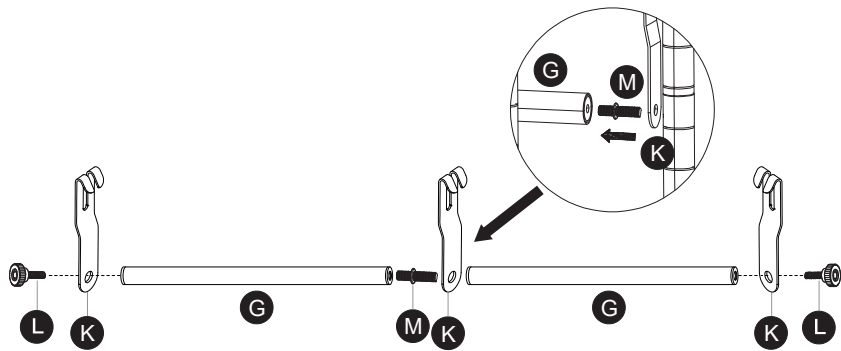
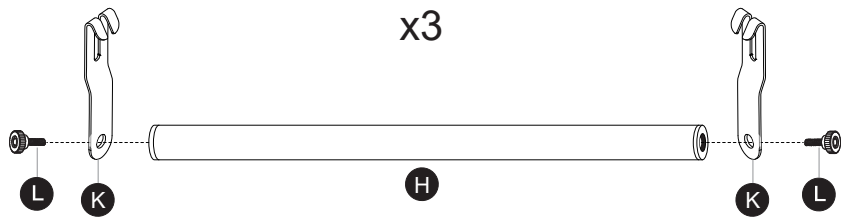
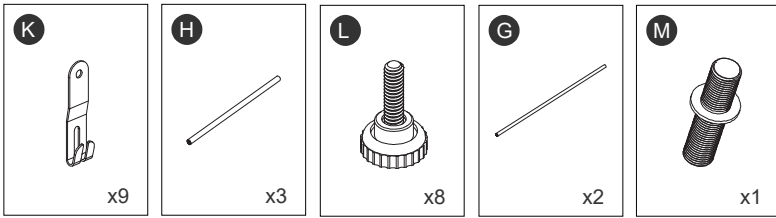
Step 10 Install part **(N)** on the top of part **(F)**.



Step 11 Insert part **(A & B)** into part **(F)**, and connect part **(A & B)** by part **(J)**.



Step 12 Connect part (H&G) with part (K) by part (L).



! Part (K) must be install on the long side of Part (M).

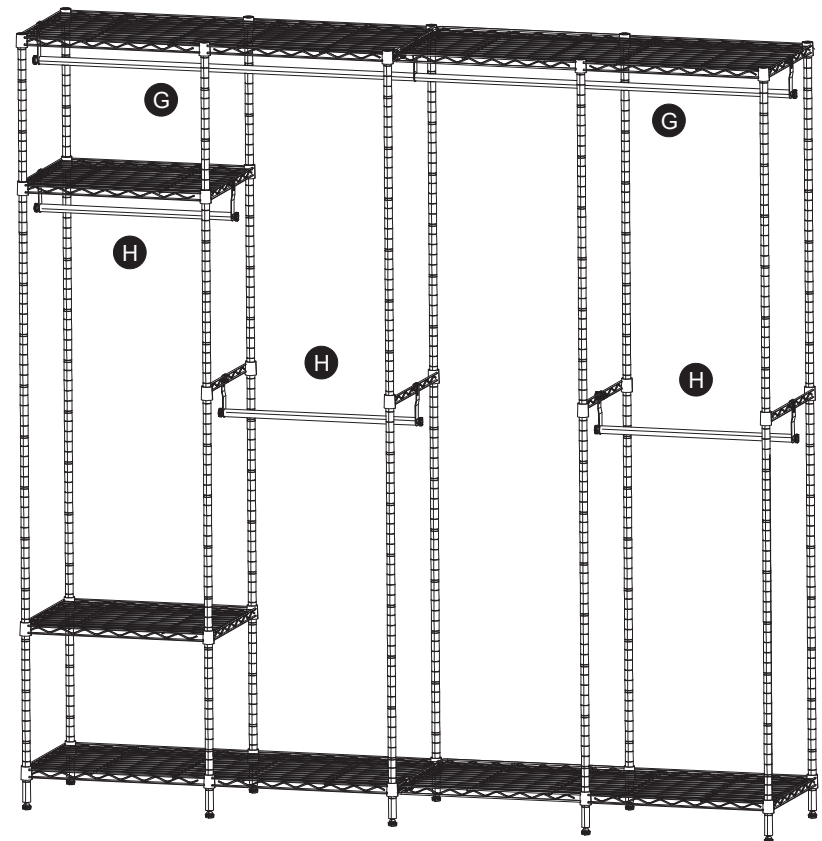
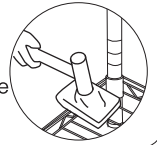
Step 13 Hang part (G&H) on the rack.

REMARK:

After each shelf is assembled, please put a piece of cloth on it and hit it several times with a tool(eg. A rubber mallet) to ensure more stability.

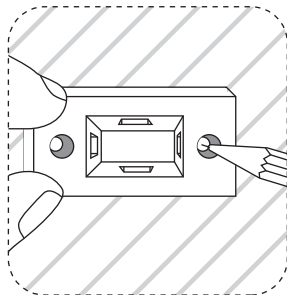
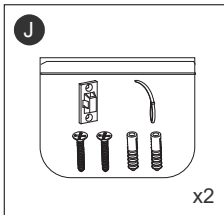
Note:

The rubber mallet is not included in the package.

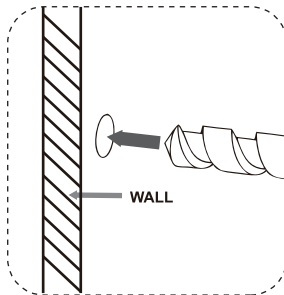


Step 14

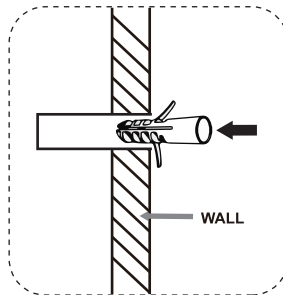
For keeping this clothes rack more stable and keeping your baby safe, please use Safety Locks.



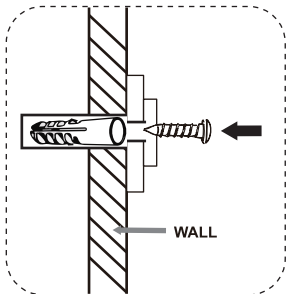
(1) Mark the location of bolt hole.



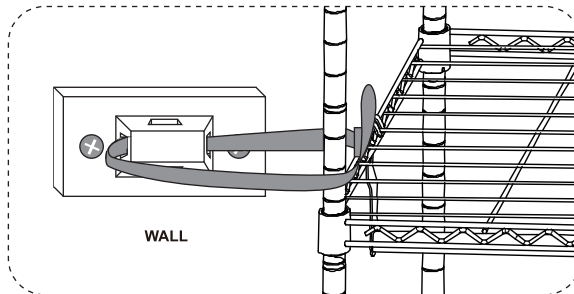
(2) Drill holes at marked location.



(3) Press the protective bolts in the wall.



(4) Fix the safety lock on the wall with bolts.



(5) Get the safety belts cross the lock and clothes rack then get fastened.

After-sales Service

Dear Customer,

Thank you for purchasing the item. Your Support is highly appreciated.

Our goal is to build mutually beneficial cooperation & relationship between customers and aims to be a reliable, responsible and recommendable brand. We sincerely hope our item could meet your expectations and you would consider us again for your future needs. When you received the package, please kindly double check you package and accessories to see if there is any problem. Should you have any question, please do not hesitate to contact us at any time.

Email: cs45service@163.com

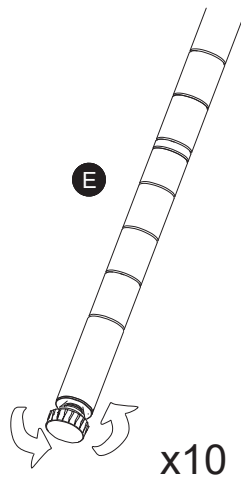
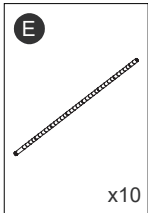
We will spare no efforts to help you as always. We will reply each email or call within 24 hours and all of our endeavors are made for customer. Your 100% satisfaction is our unchangeable goals.

Kindest regards,

Customer Service Team

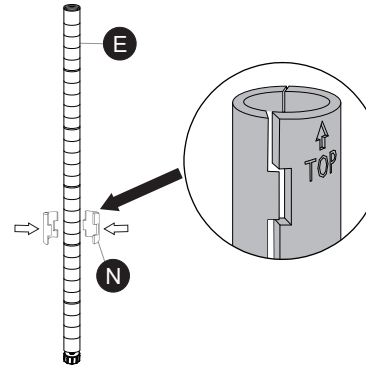
TYPE-L INSTALLATION

Step 1 Fully tighten the pre-installed adjustable feet on part **E**.

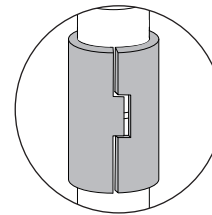
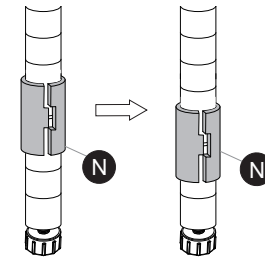


Step 2 Learn to install part **N** on part **E**.

(1) Lock 2 Clips (part **N**) together to the poles.



(2) Then slide clip group down to the height the Steel Shelves should be. (Until you get the “ting” sound. Then it’s perfectly locked)

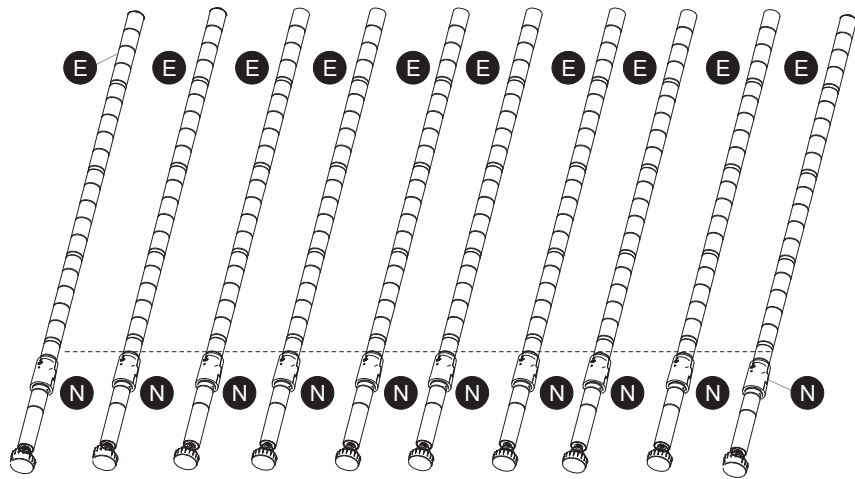
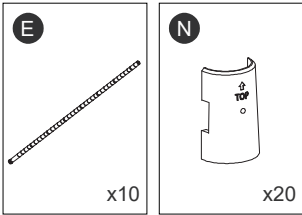


Note:

There is a gap between 2PCS plastic clips assembled onto the poles as shown in the picture, this is a structural design rather than a quality issue, which aims to bind the shelves firmly onto the pole.

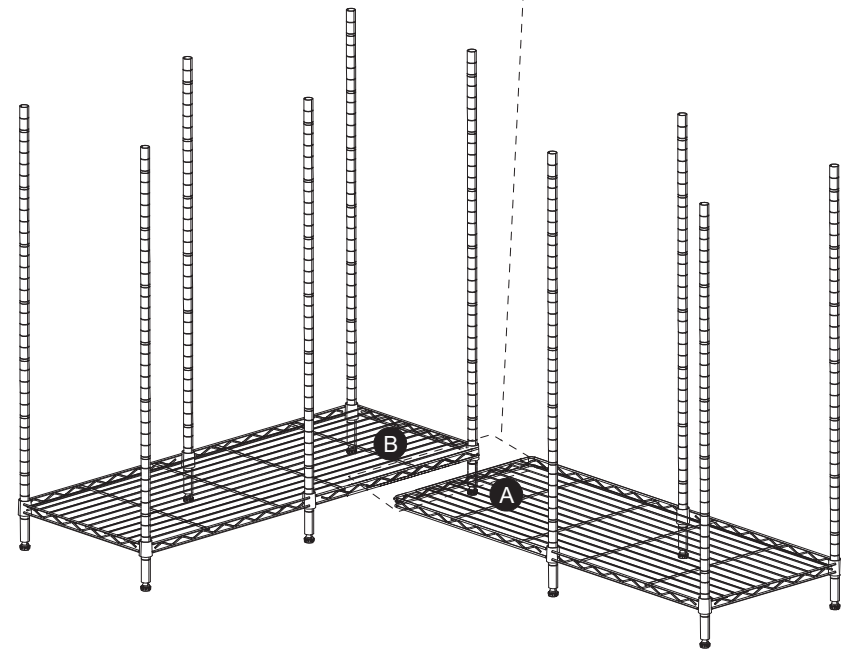
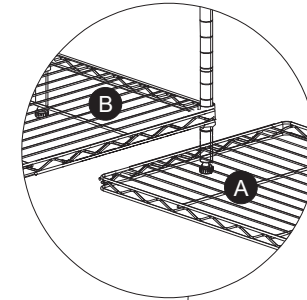
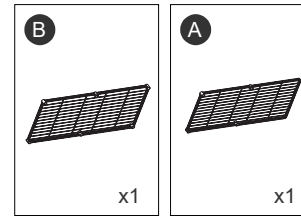
Step 3

Install part **N** on part **E**, and keep them at the same level.



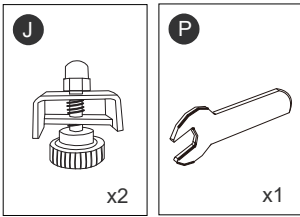
Step 4

Insert part **B** into 6 part **E** and part **A** into 4 part **E**.



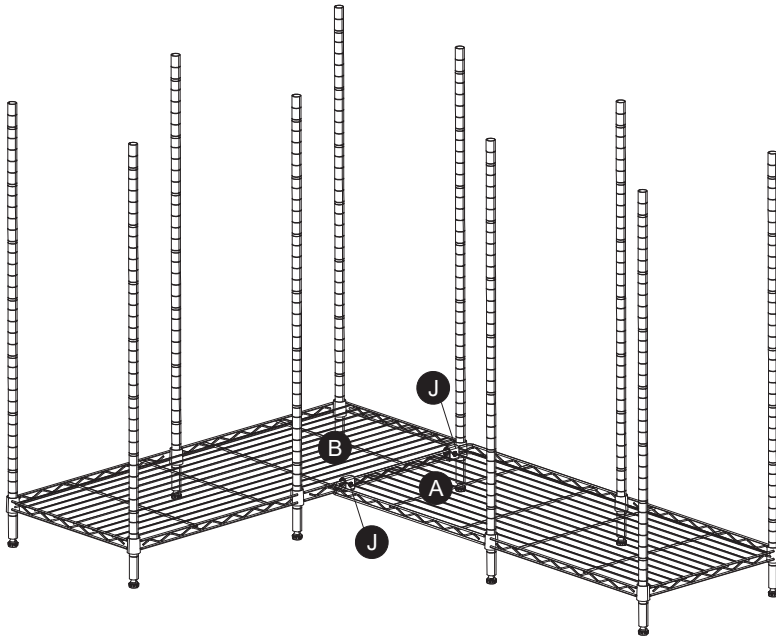
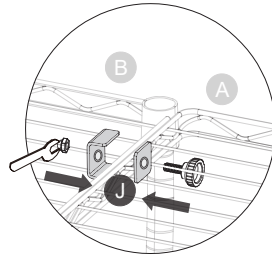
Step 5

Connect part **A** with part **B** by part **J**.



NOTICE:

Make sure the square piece and adjustable feet are on the same side firstly, and then tighten other part.

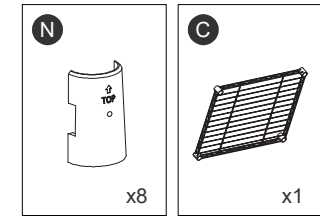


Step 6

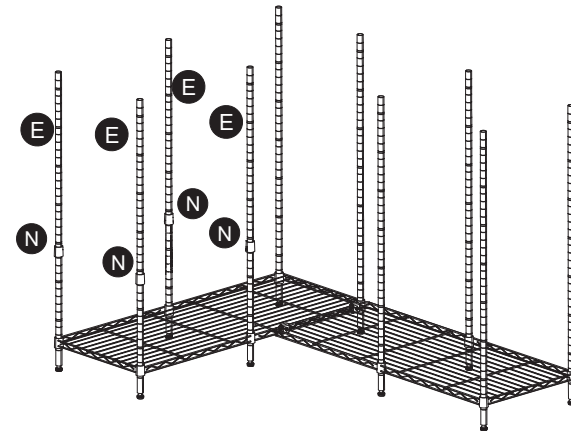
Install part **N** on part **E**, and insert part **C** into them.

NOTICE:

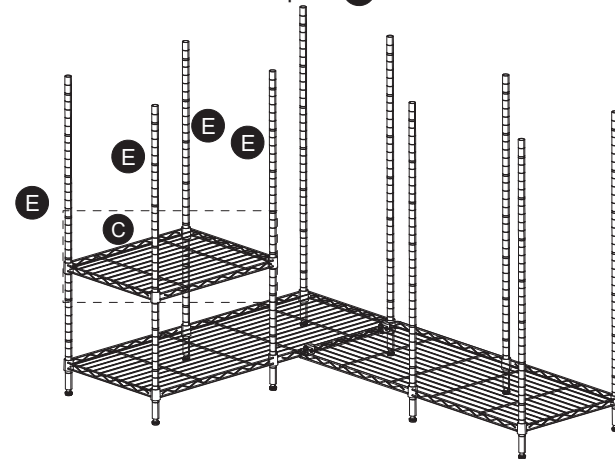
The longer side of part **C** should be installed on the front side.



(1) Install part **N** on part **E**.



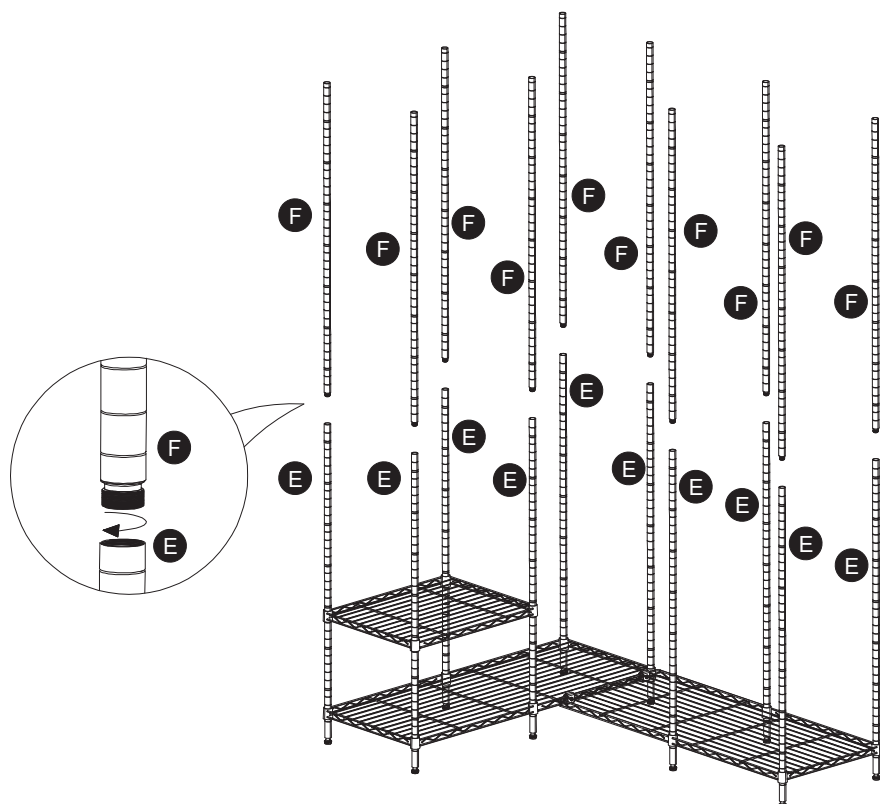
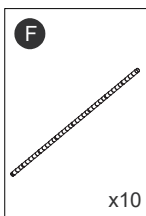
(2) Insert part **C** into them.



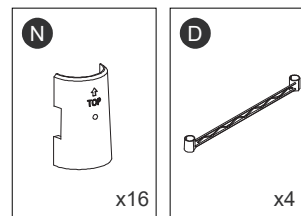
23

23

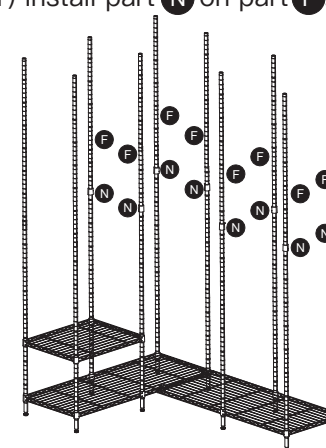
Step 7 Install part **F** on part **E**.



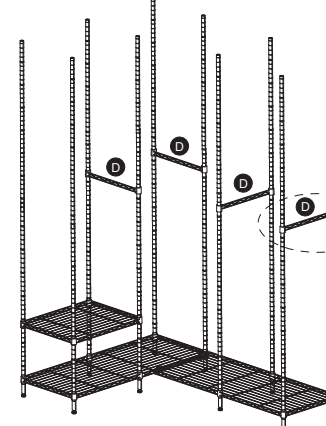
Step 8 Install part **N** on part **F**, and insert part **D** into them.



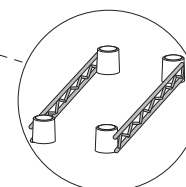
(1) Install part **N** on part **F**.



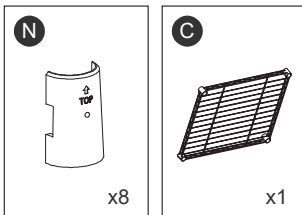
(2) Insert part **D** into them.



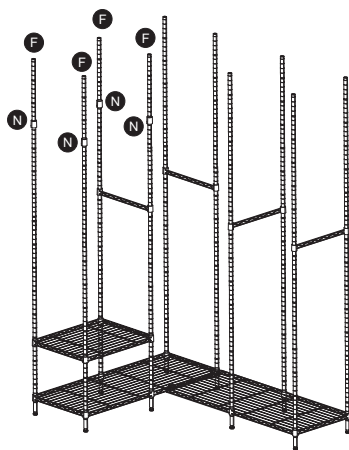
NOTICE:
Part **D** should be installed separately as shown above.



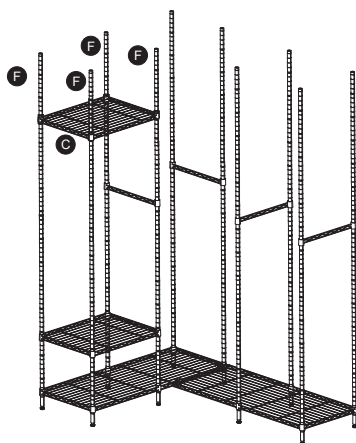
Step 9 Install part **N** on part **F**, and insert part **C** into them.



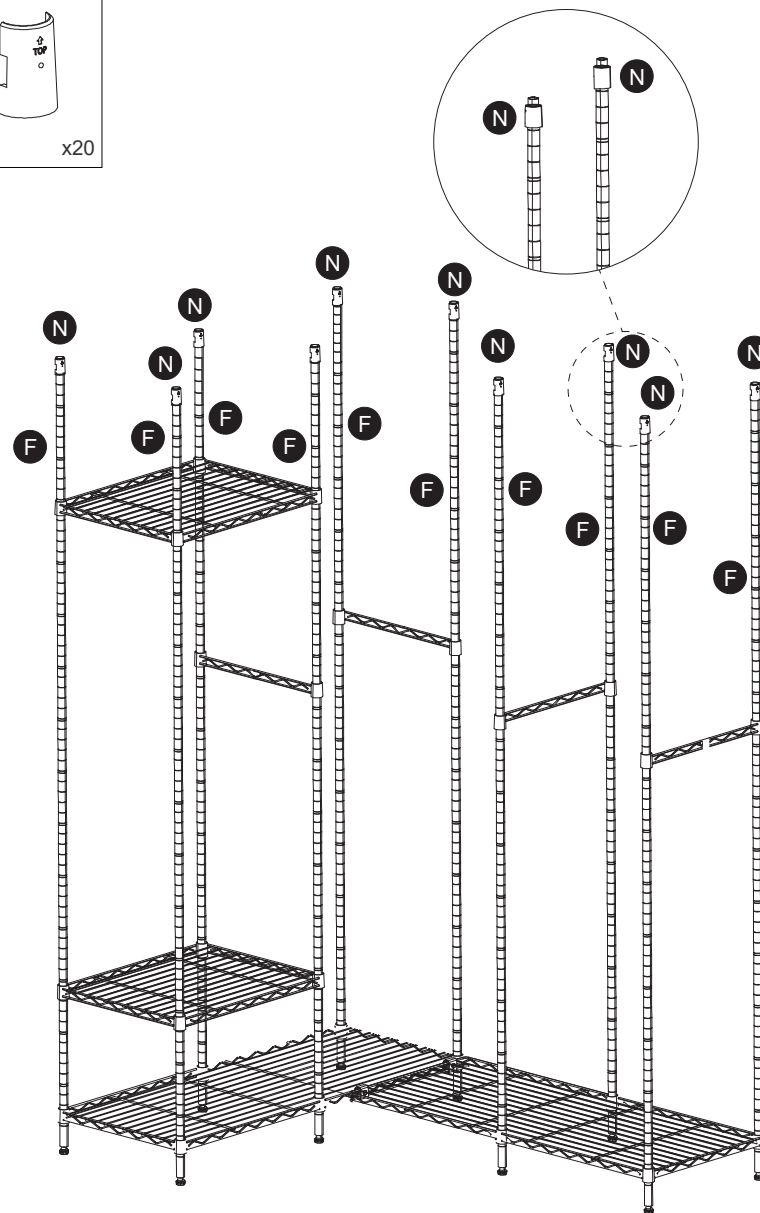
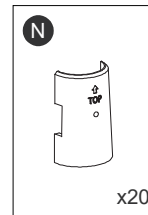
(1) Install part **N** on part **F**.



(2) Insert part **C** into them.

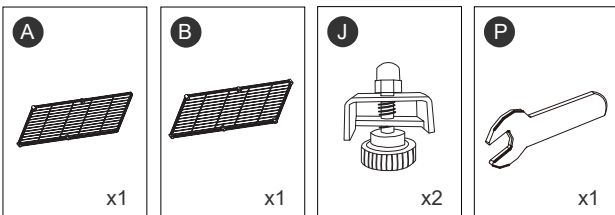


Step 10 Install part **N** on the top of part **F**.

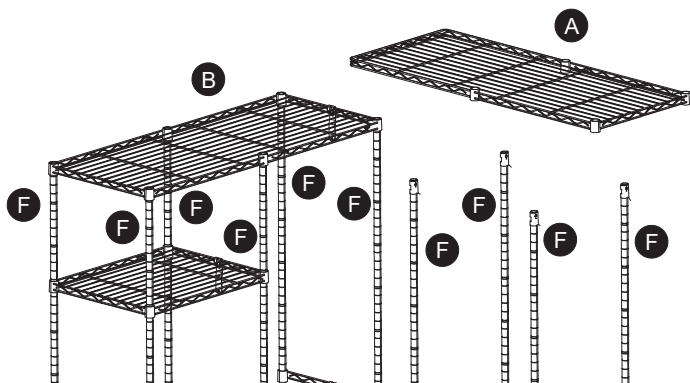


Step 11

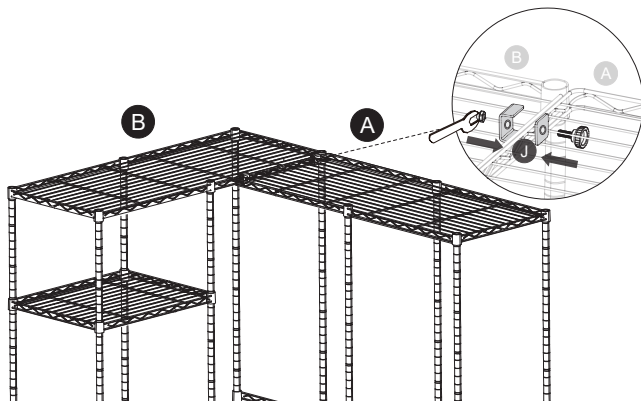
Insert part (A & B) into part (F), and connect part (A & B) by part (J).



(1) Insert part (A & B) into part (F).

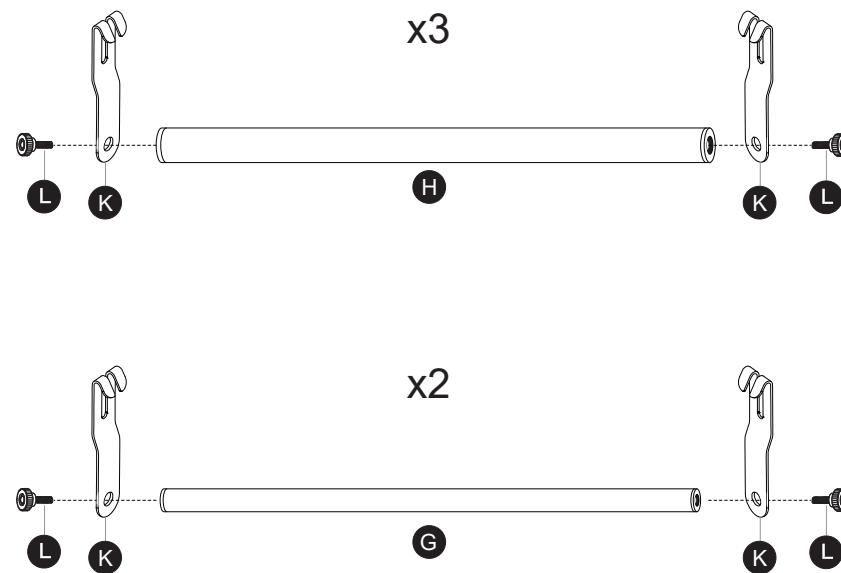
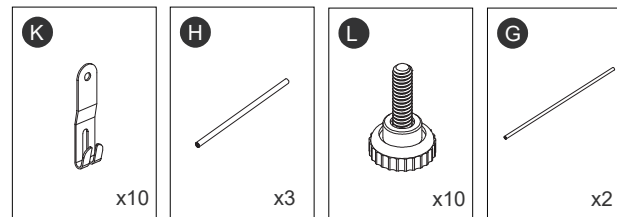


(2) Connect part (A & B) by part (J).



Step 12

Connect part (H & G) with part (K) by part (L).



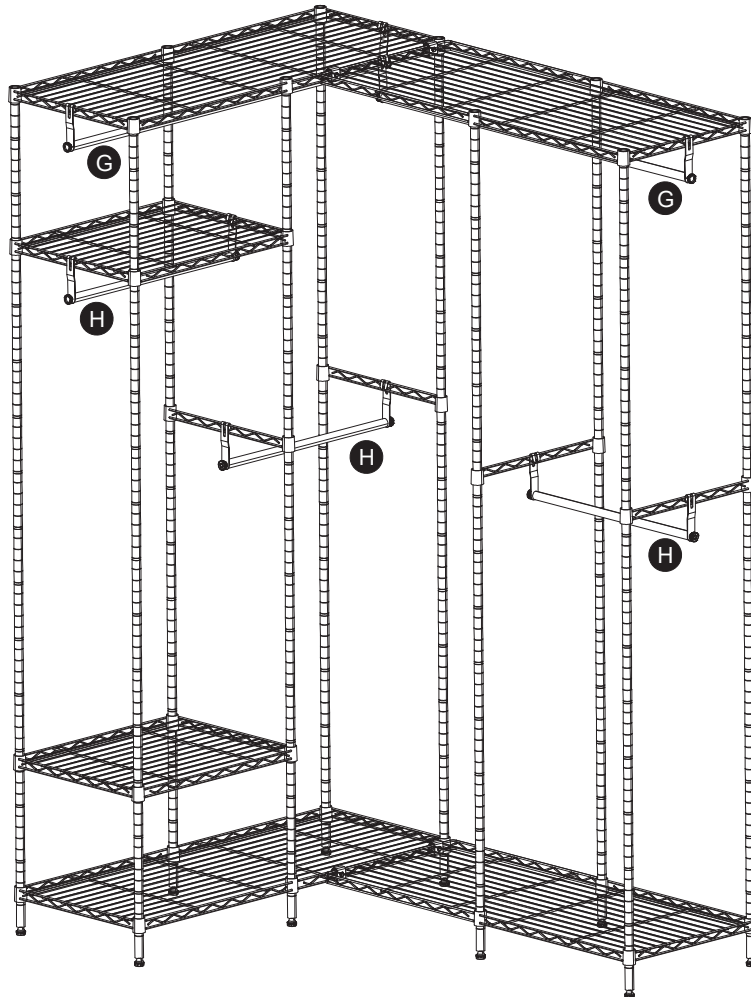
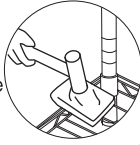
Step 13 Hang part (G&H) on the rack.

REMARK:

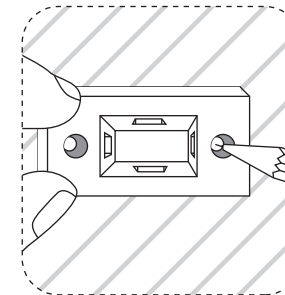
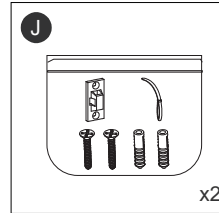
After each shelf is assembled, please put a piece of cloth on it and hit it several times with a tool (eg. A rubber mallet) to ensure more stability.

Note:

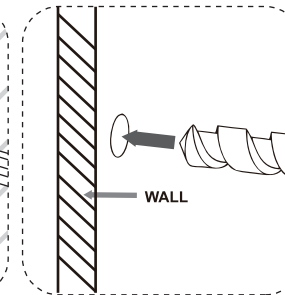
The rubber mallet is not included in the package.



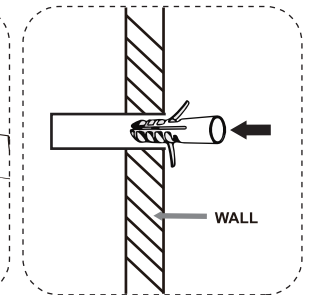
Step 14 For keeping this clothes rack more stable and keeping your baby safe, please use Safety Locks.



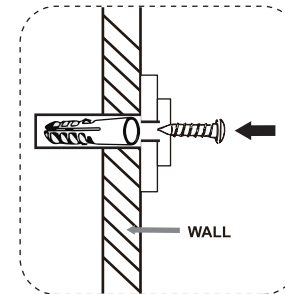
(1) Mark the location of bolt hole.



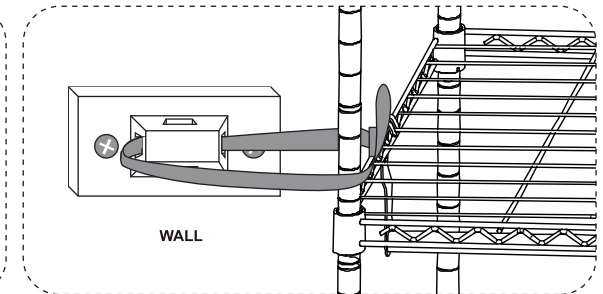
(2) Drill holes at marked location.



(3) Press the protective bolts in the wall.



(4) Fix the safety lock on the wall with bolts.



(5) Get the safety belts cross the lock and clothes rack then get fastened.

After-sales Service

Dear Customer,

Thank you for purchasing the item. Your Support is highly appreciated.

Our goal is to build mutually beneficial cooperation & relationship between customers and aims to be a reliable, responsible and recommendable brand. We sincerely hope our item could meet your expectations and you would consider us again for your future needs.

When you received the package, please kindly double check your package and accessories to see if there is any problem. Should you have any question, please do not hesitate to contact us at any time.

Email: cs45service@163.com

We will spare no efforts to help you as always. We will reply each email or call within 24 hours and all of our endeavors are made for customer. Your 100% satisfaction is our unchangeable goals.

Kindest regards,

Customer Service Team