

After-sales Service

Dear customer,

We're excited that you've chosen our product to be a part of your home. We care deeply about your experience and want to make sure you have all the help you need.

If you have any questions while assembling your new product, don't hesitate to contact our dedicated customer support team through the original purchase platform.

Creating your ideal space is important, and we're committed to helping you every step of the way.

Thank you for choosing us, where comfort and style meet practicality.

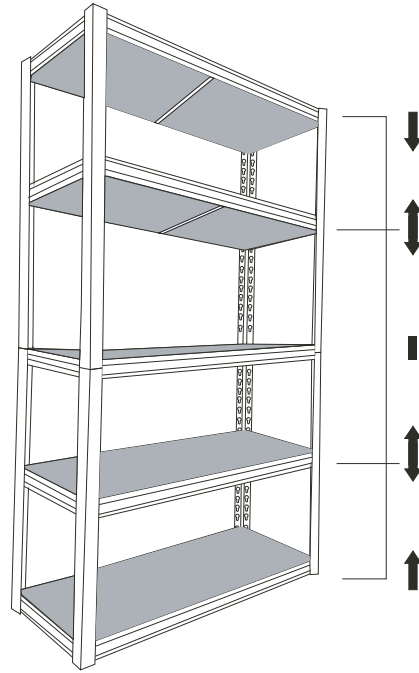
Sincerely,
Customer Service Manager

ASSEMBLY INSTRUCTIONS

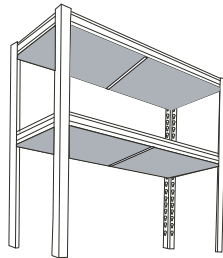


REMARK

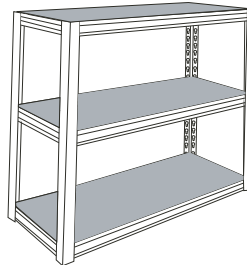
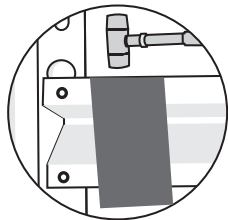
1. During installation, you can adjust the heights of metal boards according to your storage needs.
2. For longer lifespan, please use the rack in a dry indoor environment.
3. For your safety, do not stack too high on the top shelf.
4. Please **DO NOT** load more than the maximum weight described on the product page.



5. It can be divided into two different shelves as shown.

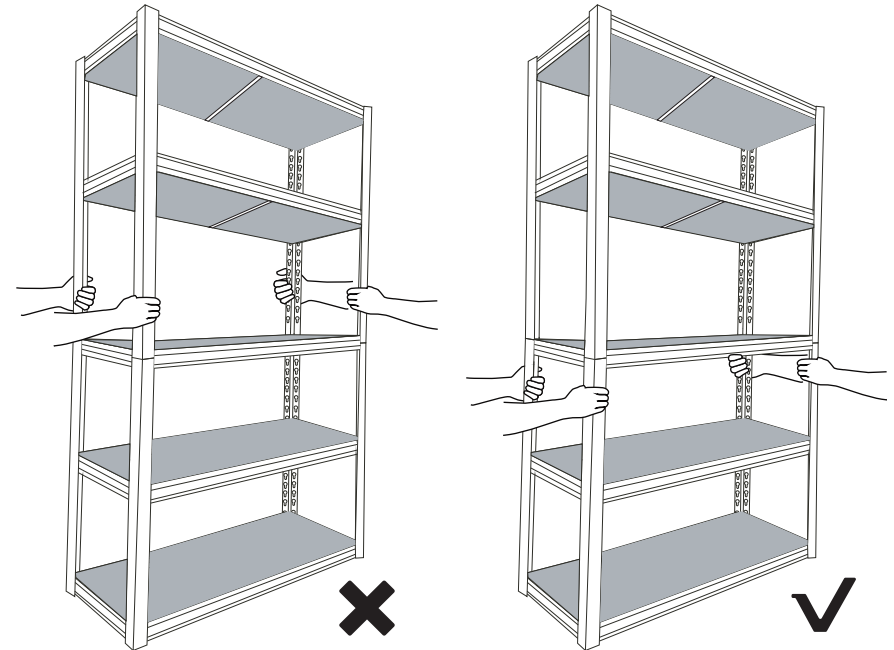


6. Please knock the crossbars with rubber mallet to secure the frame, cover it with a towel to avoid damaging during installation.



⚠ WARNING

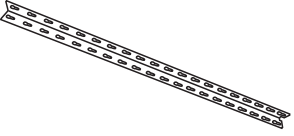
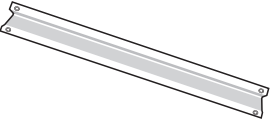
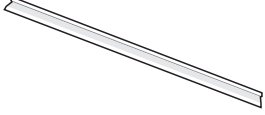
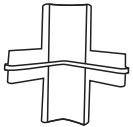


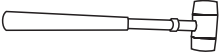
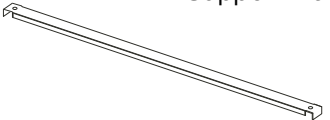
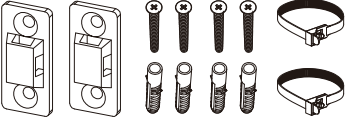

For safety concerns, please hold the lower part under the connectors when moving the shelves.



! NOTICE

Parts A & B & D & E are packed on spaces between steel boards (part C) for their irregular shape.

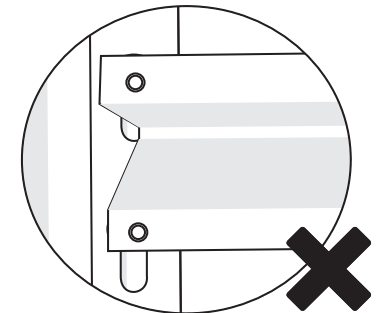
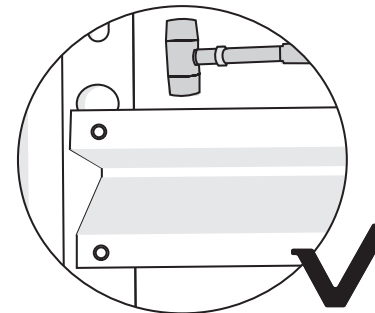
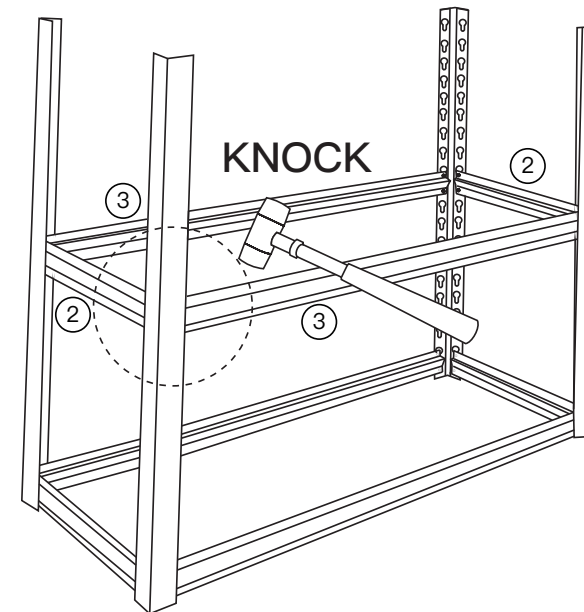
Part List

① Vertical Bar x8 	② Short Cross Bar x10 
③ Long Cross Bar x10 	A Connector x4 
B Rubber Foot Pad x8 	C Steel Board x5 
D Rubber Hammer x1 	E Support Bar x5 
F Anti-tip Kit x1 	Gloves x1 



ATTENTION

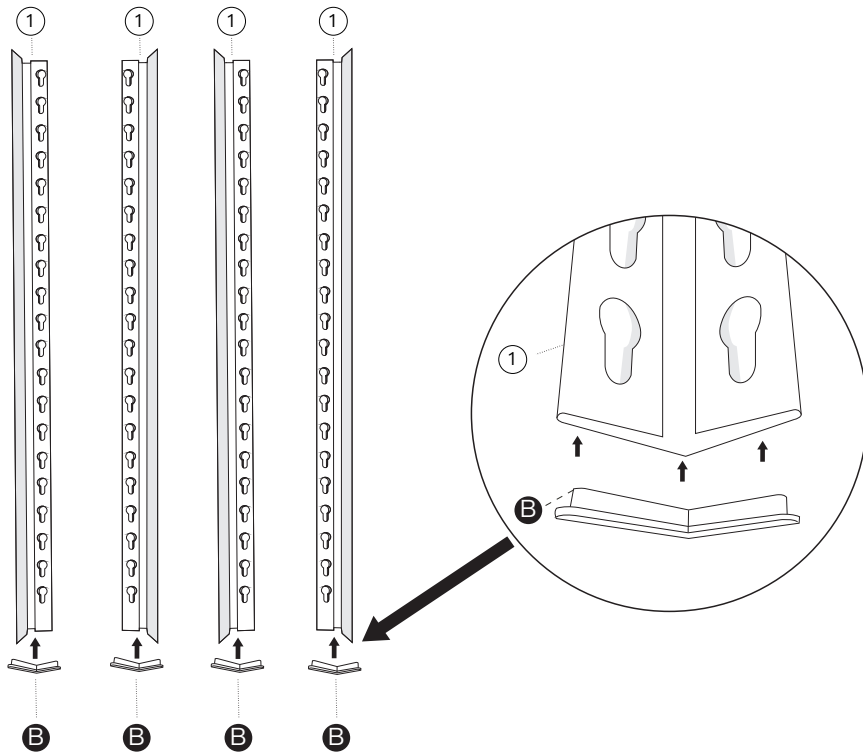
For the overall stability of shelves, every cross bar (② & ③) must be knocked fully tight into the end while installing.



HOW TO INSTALL

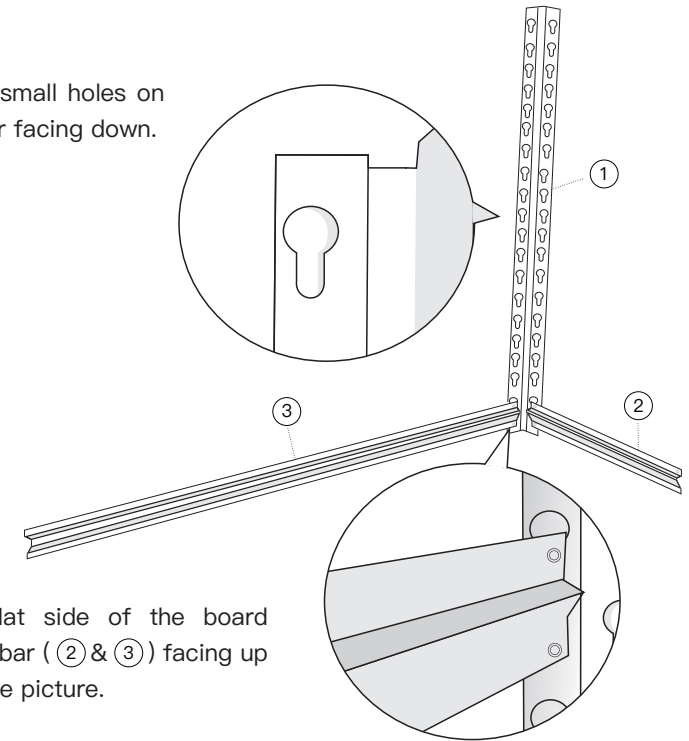
Note: Please wear gloves before installation.

Step 1 Insert rubber foot pad (B) into 4 vertical bars (1) as below.



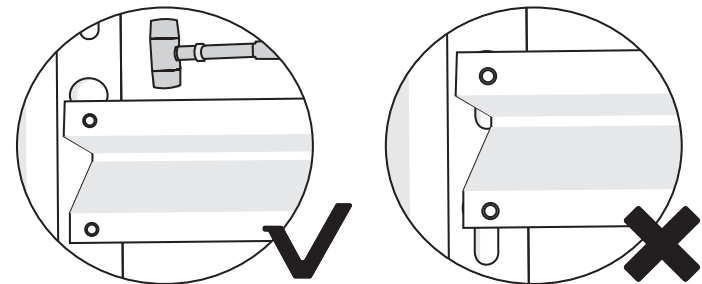
Step 2 Install short cross bar (2) and long cross bar (3) on vertical bars (1) with hammer as below.

A: Make sure small holes on the vertical bar facing down.

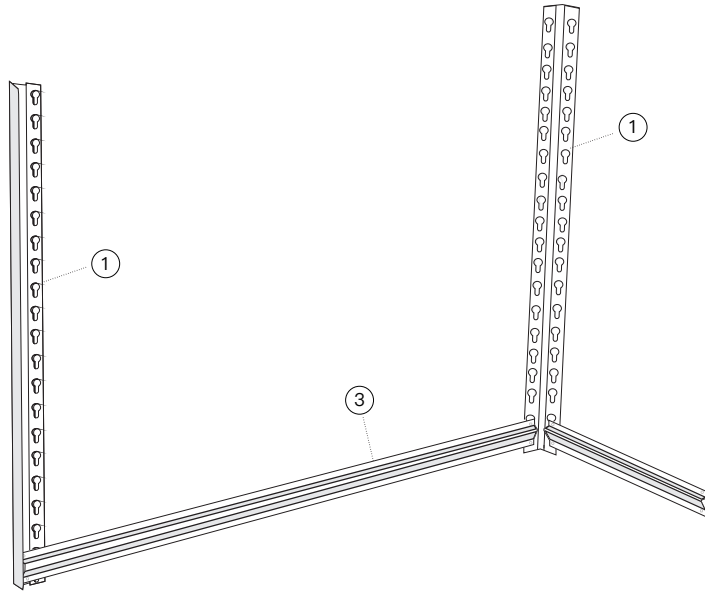


B: Put the flat side of the board support cross bar (2 & 3) facing up as shown in the picture.

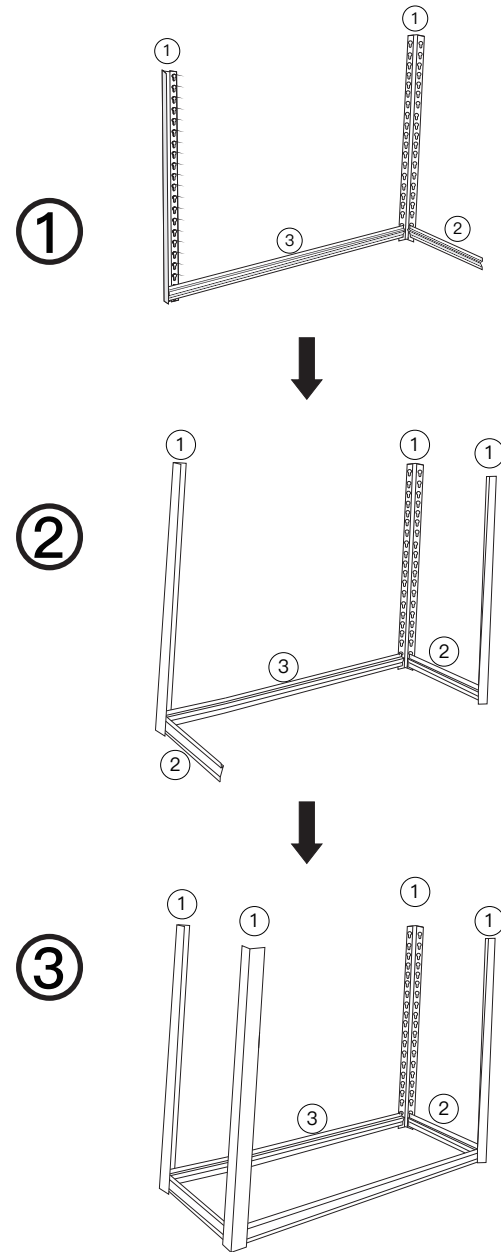
C: Knock on cross bar (2 & 3) with rubber hammer until the bar covered the small holes completely.



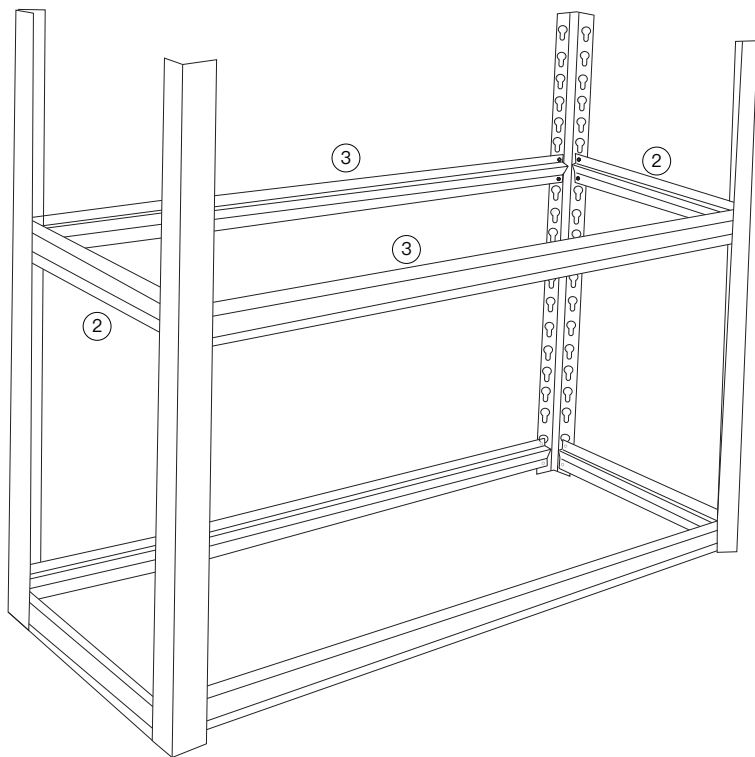
Step 3 Connect another vertical bar (①) with the finished part in the previous step by the cross bar (③).



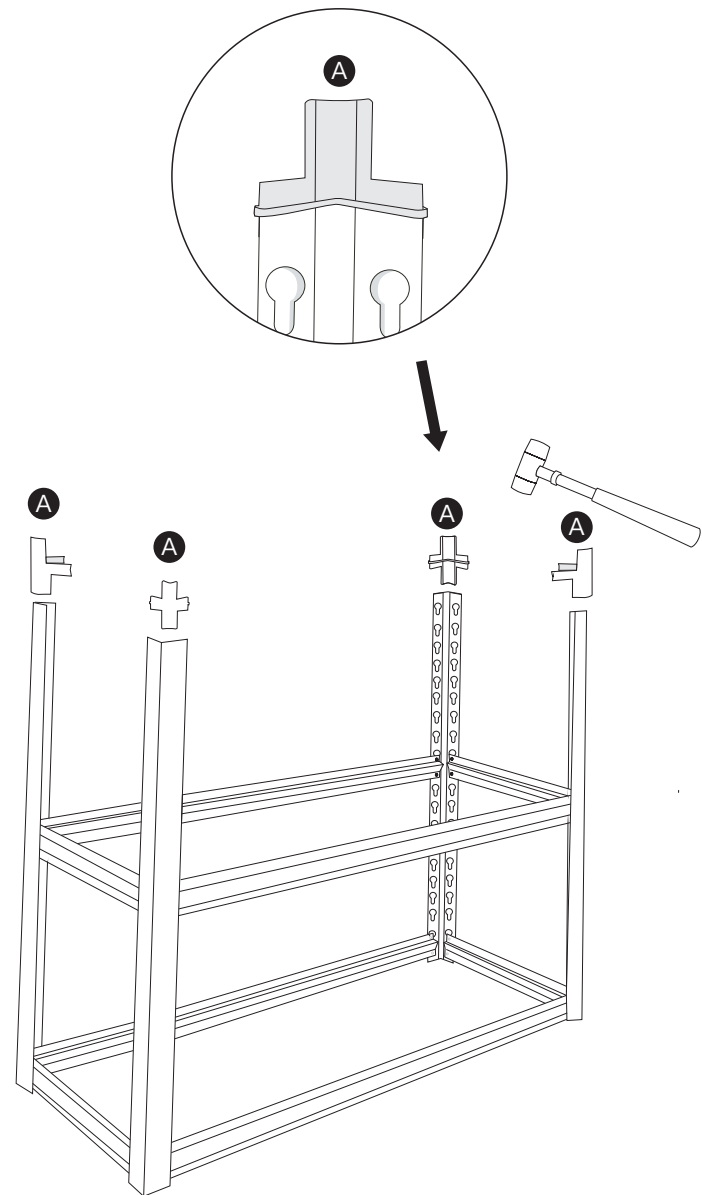
Step 4 Refer to step 2 and step 3, connect the other two vertical bars in turn through the cross bar, as shown in the figure.



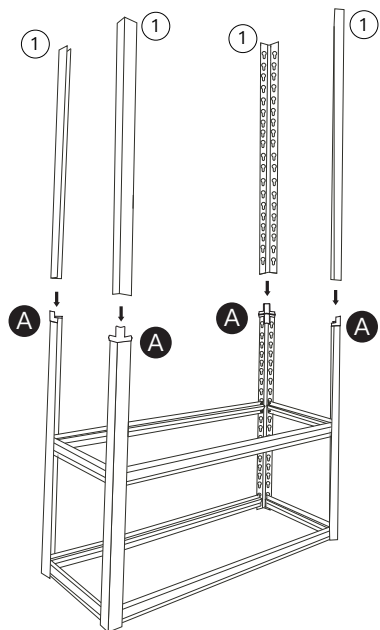
Step 5 Install 2 short cross bars (②) and 2 long cross bars (③) on the finished part, as shown in the figure.



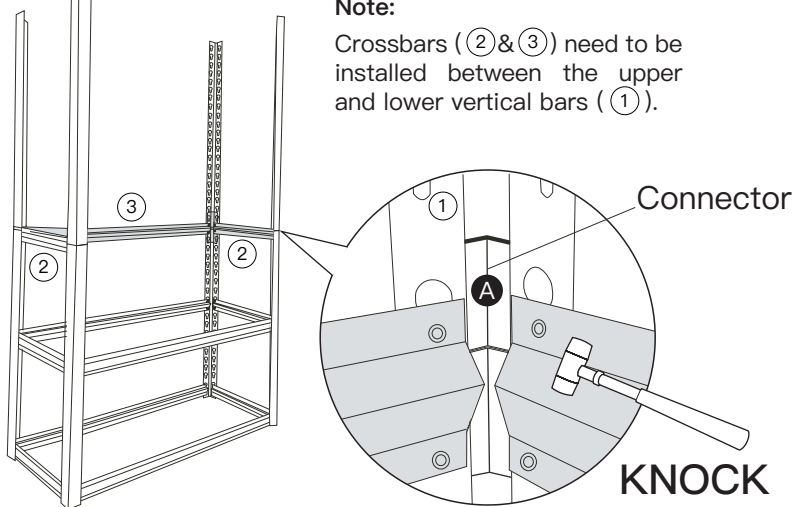
Step 6 Use the rubber hammer to knock down the 4 connectors (A) on the finished part.



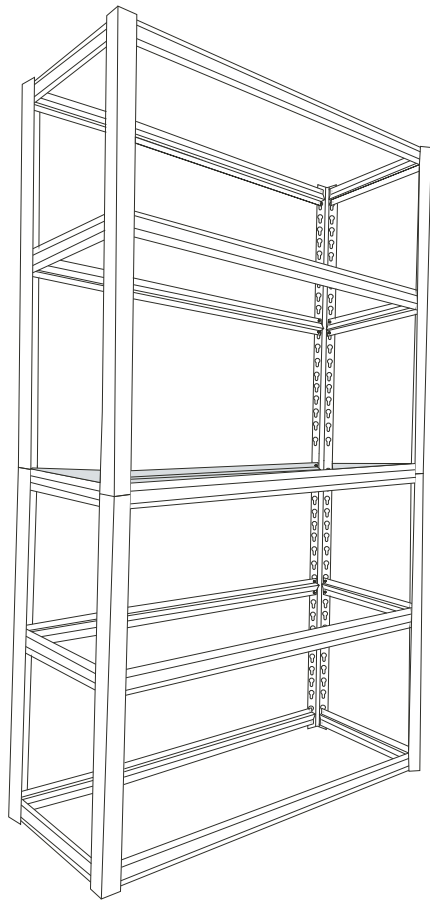
Step 7 Connect the remaining four vertical bars (①) to the finished frame by 4 connectors (A), then connect the cross bars (② & ③) as below.



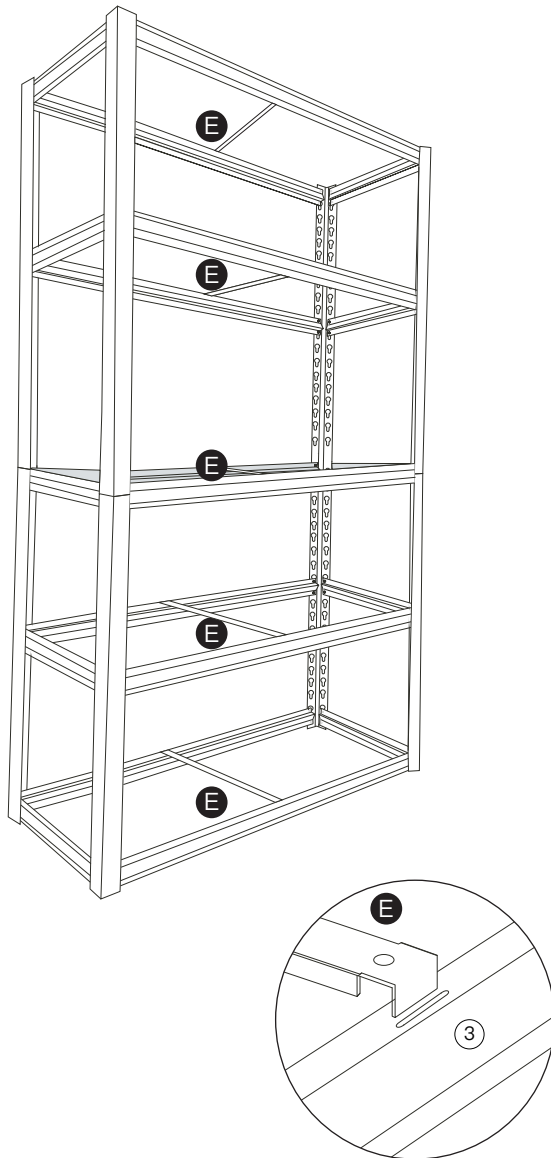
Note:
Crossbars (② & ③) need to be installed between the upper and lower vertical bars (①).



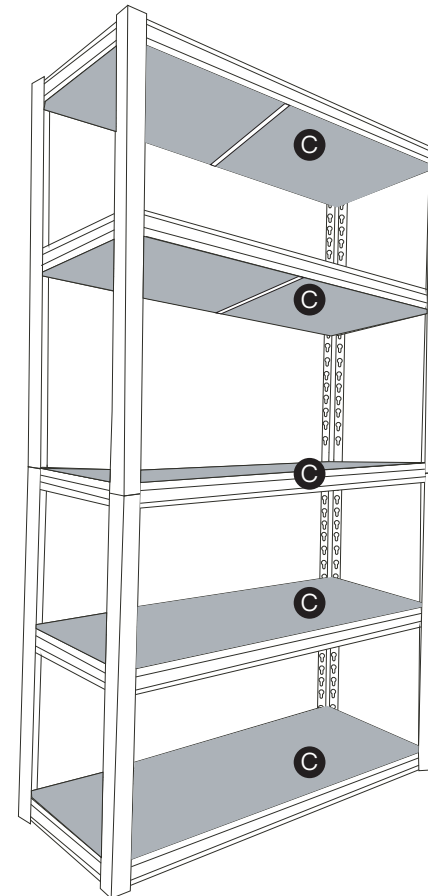
Step 8 Assemble the remaining cross bars as previous steps shown in the figure.



Step 9 Put all support bars (**E**) on the long cross bars of every tier as shown above.



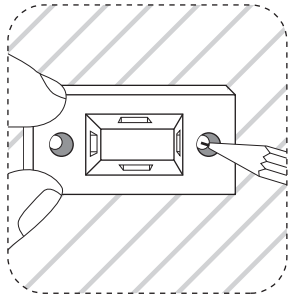
Step 10 Place all the metal boards (**C**) on the frame , as shown in the figure.



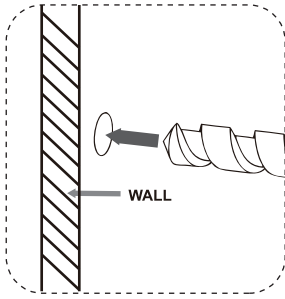
Step 11 (Optional) Install the anti-tip kit (part **F**) to keep the rack maximum stable.

NOTICE

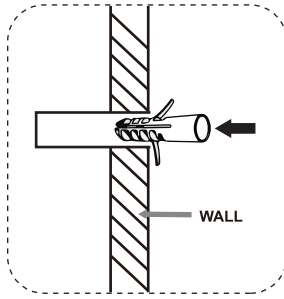
For maximum safety, the strips of anti-tip kit should cross the upper vertical bars.



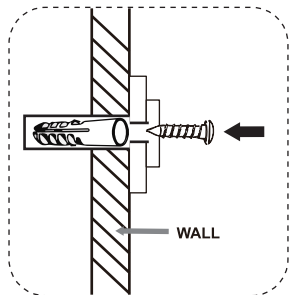
(1) Mark the location of bolt hole.



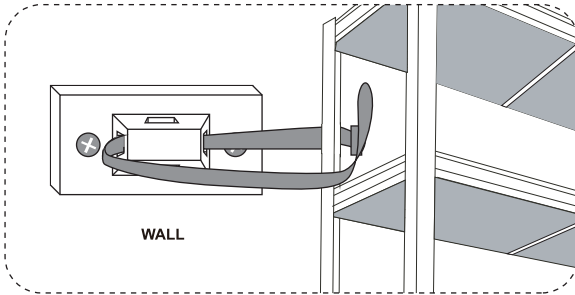
(2) Drill holes at marked location.



(3) Press the protective bolts in the wall.



(4) Fix the safety lock on the wall with bolts.



(5) Get the safety belt cross the lock and vertical bar, then get fastened.