

■ After-Sale Support

Dear Customer,

Thank you so much for purchasing our product. We sincerely appreciate your choice to incorporate our product into your living space.

Our goal is to build a mutually beneficial relationships with customers and we aim to be a reliable and recommendable brand.

We sincerely hope this product meets your expectations and that you would consider us again for your future needs.

When you receive the package, please kindly double check your package and accessories to be sure that you have all the necessary parts.

Should you have any questions, please contact us through the original purchase platform.

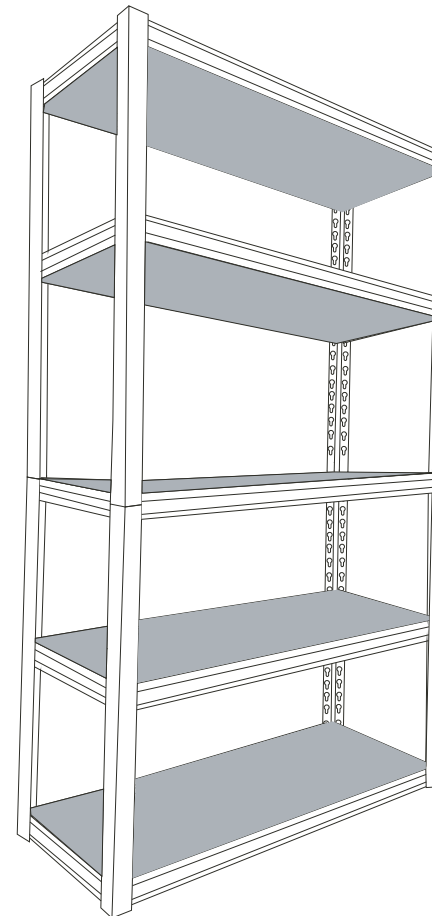
We will reply to each message within 24 hours and spare no efforts to help you as always.

Thank you once again for choosing us. Here's to creating wonderful memories and comfortable spaces together!

Kindest Regards,
Customer Care Team

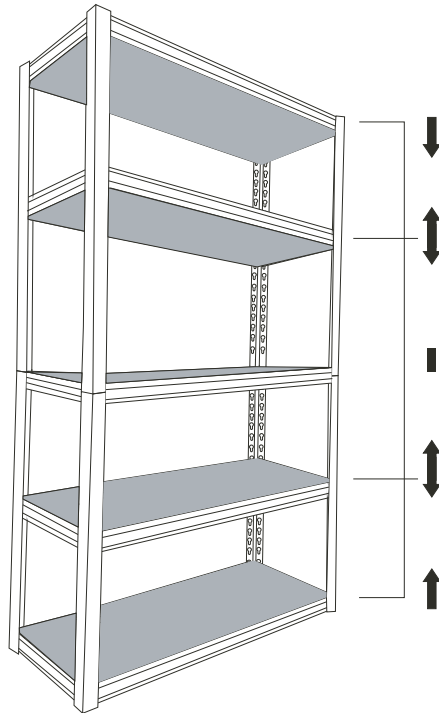
5 TIER STEEL STORAGE SHELVES

ASSEMBLY INSTRUCTIONS



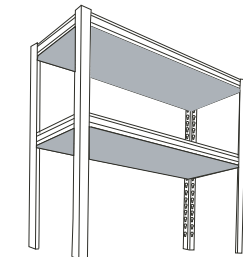
REMARK

1. The heights of steel boards is highly adjustable which you can customize according to your needs during installation.

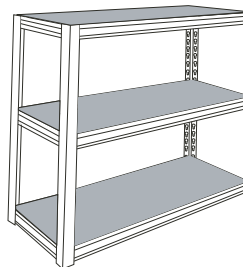


2. It's able to be separated into 2 independent shelves.

3. For longer usage lifespan, please place the product in a cool and dry environment.



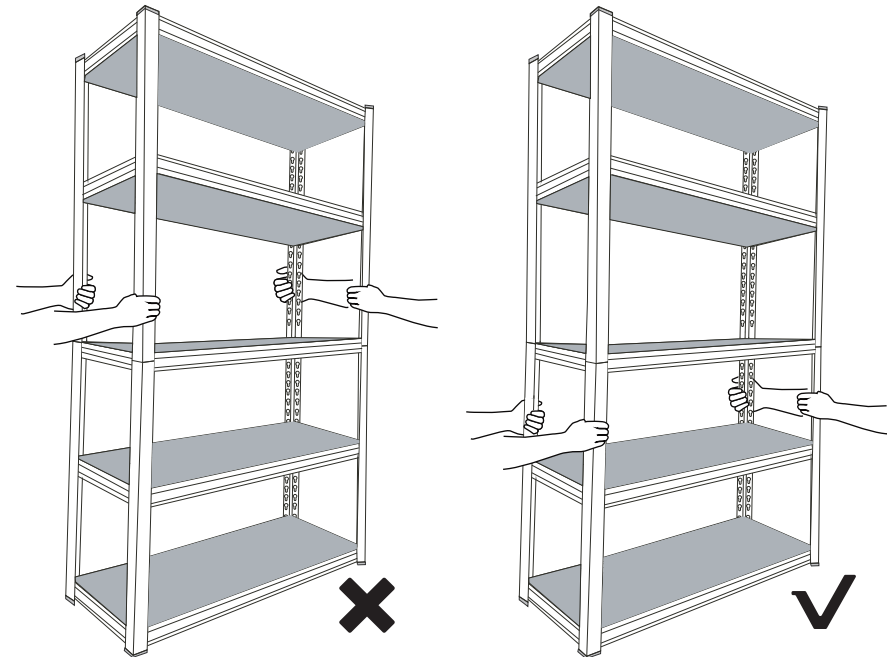
4. For safety concerns, **DO NOT** stack too high on the top shelf.



5. Please **DO NOT** place items heavier than the maximum weight described on the product page.

⚠ WARNING

For safety concerns, please hold the lower part under the connectors when moving the shelves.



! NOTICE

Parts A, B, D, E are packed on spaces between steel boards (part C) for their irregular shape.

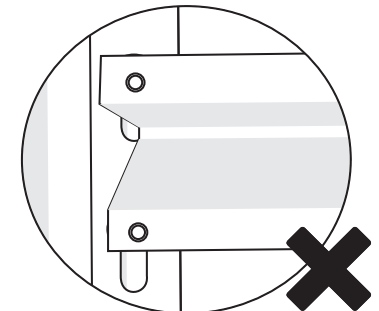
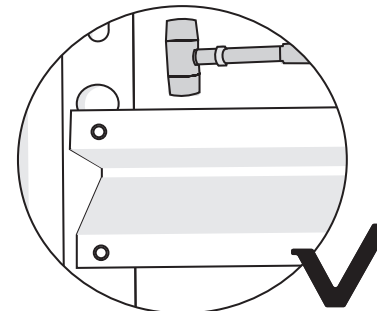
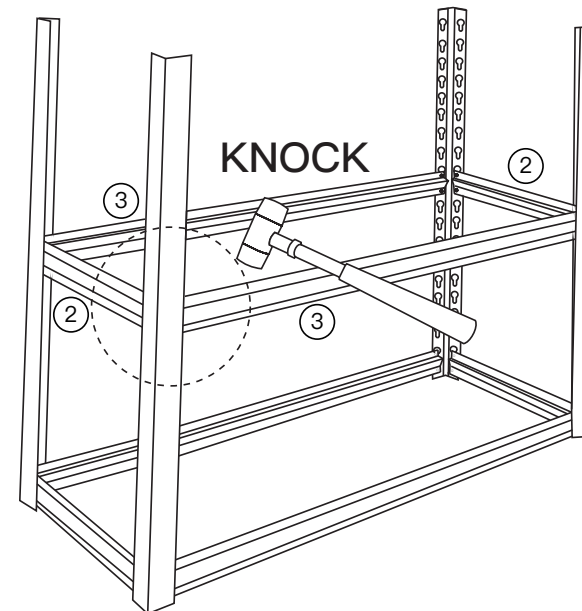
Part List

① Vertical Bar x8	② Short Cross Bar x10
③ Long Cross Bar x10	A Connector x4
B Rubber Foot Pad x8	C Steel Board x5
D Rubber Hammer x1	E Gloves x1
F Anti-tip Kit x1	



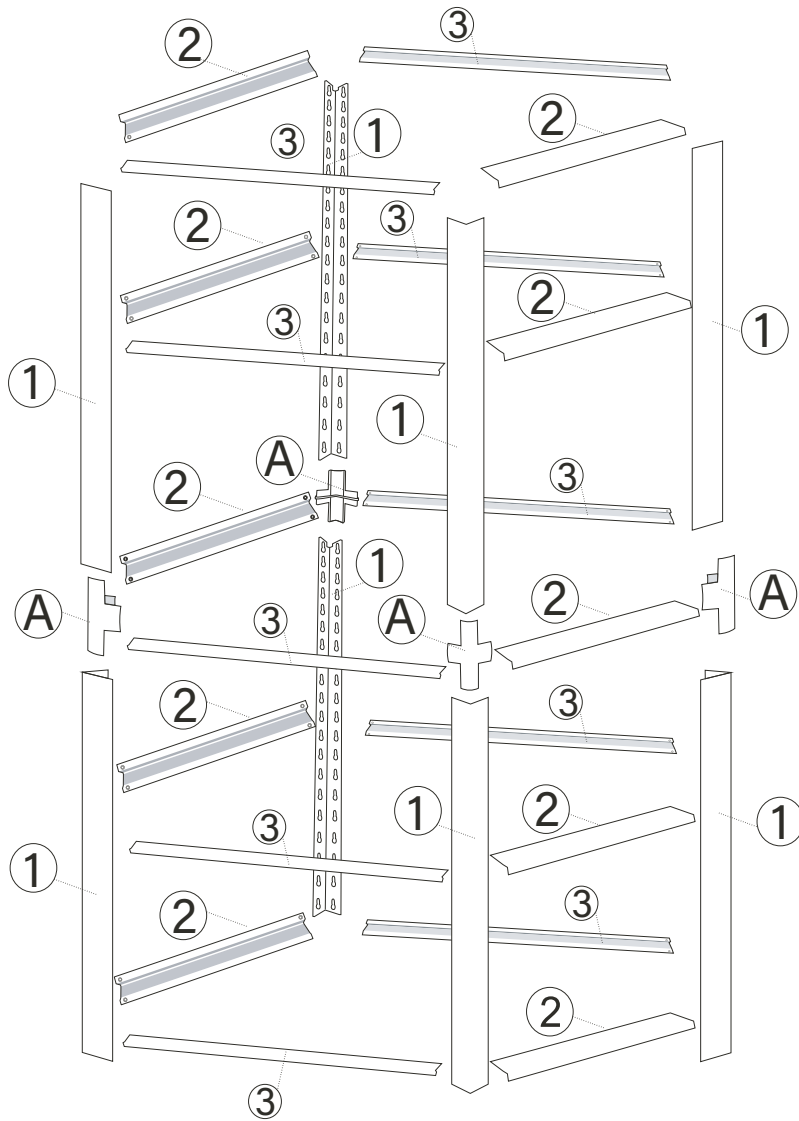
ATTENTION

For the overall stability of shelves, every cross bar (② & ③) must be knocked fully tight into the end while installing.



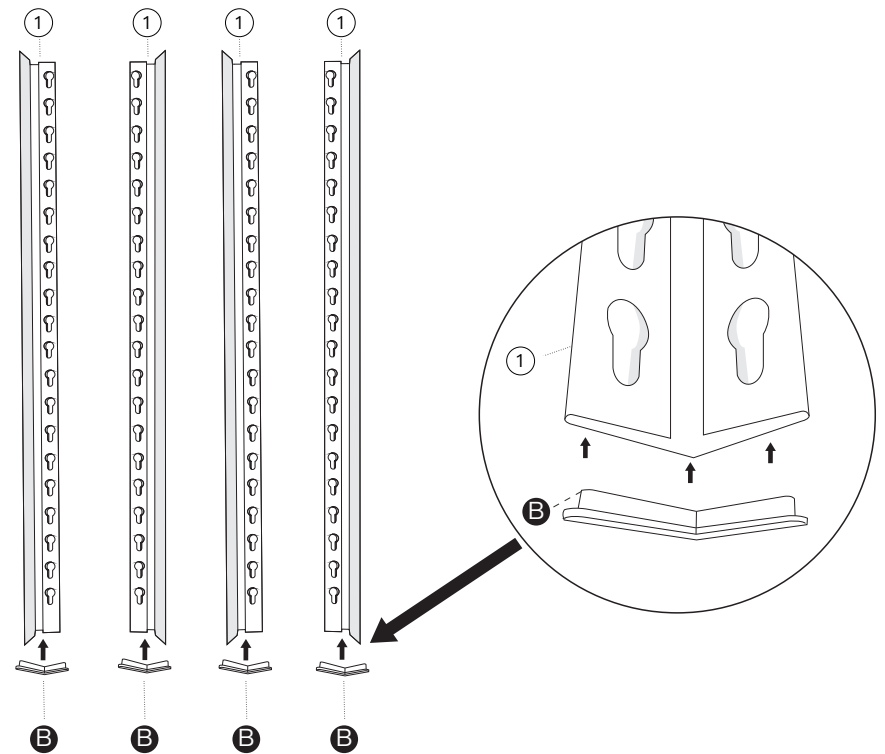
HOW TO INSTALL

EXPLODE DIAGRAM



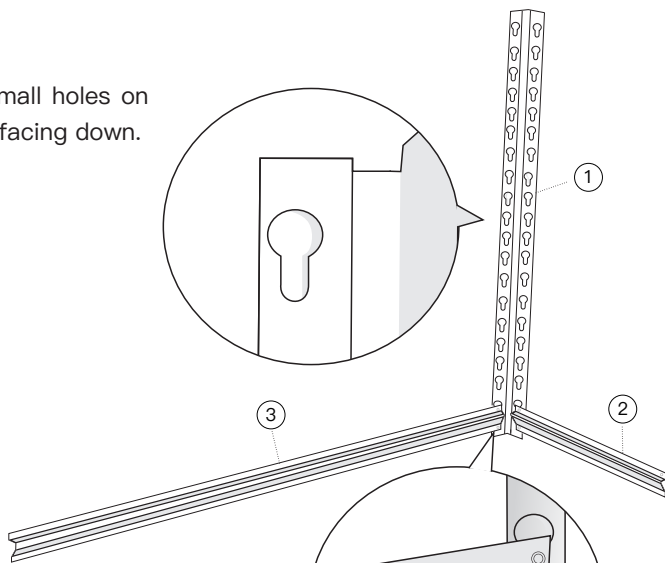
Note: Please wear gloves before installation.

Step 1 Install 4 rubber foot pads (**B**) on 4 vertical bars (**1**) .

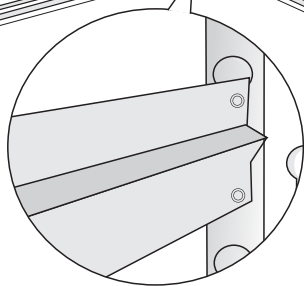


Step 2 Install short cross bar (②) and long cross bar (③) on vertical bars (①), tighten them with hammer.

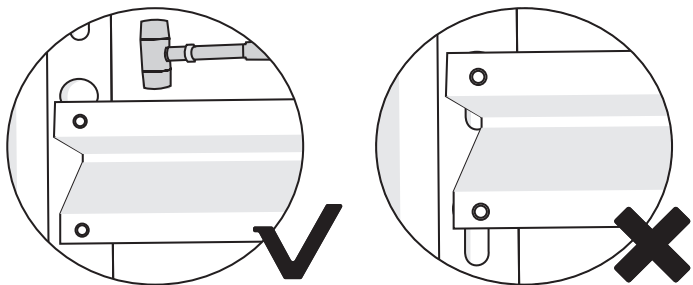
A: Make sure small holes on the vertical bar facing down.



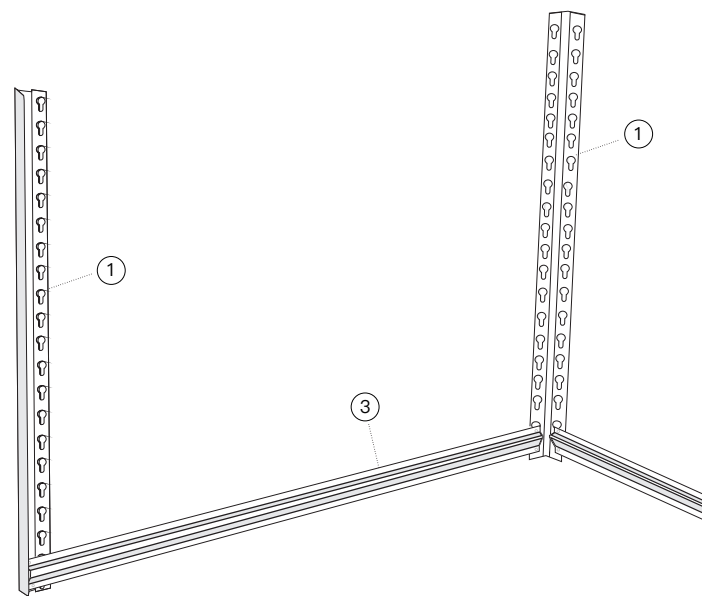
B: Put the flat side of the board support cross bar (② & ③) facing up as shown in the picture.



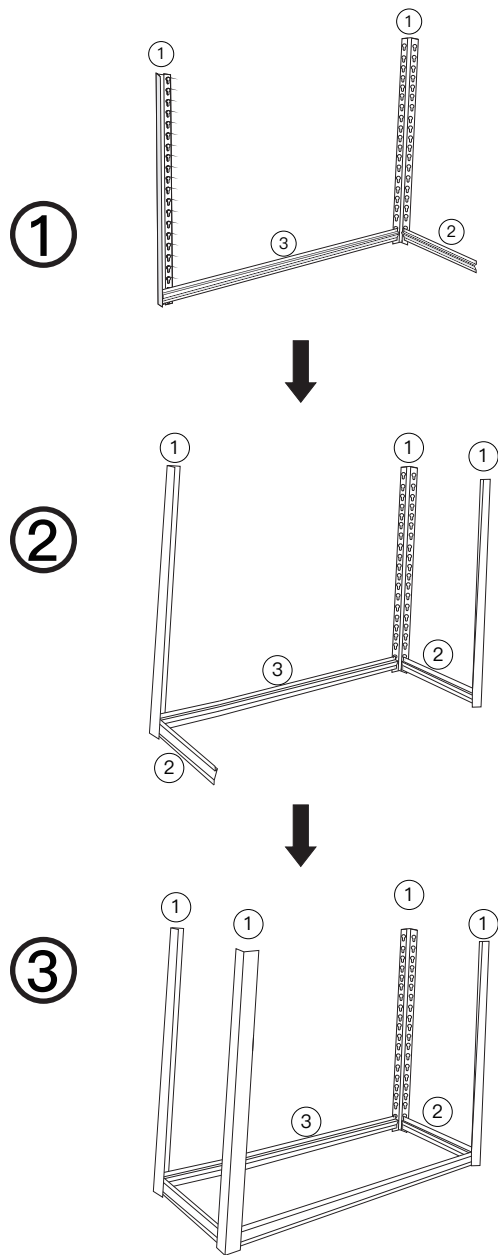
C: Knock on cross bar (② & ③) with rubber hammer until the bar covered the small holes completely.



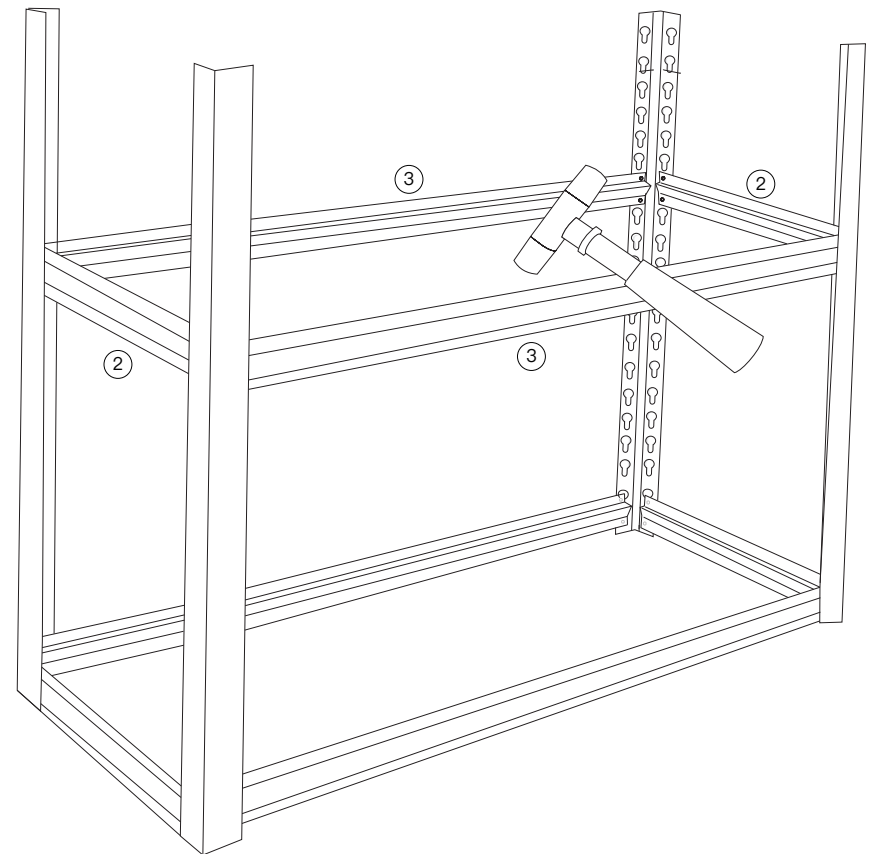
Step 3 Connect another vertical bar (①) with the part previously assembled by the cross bar (③).



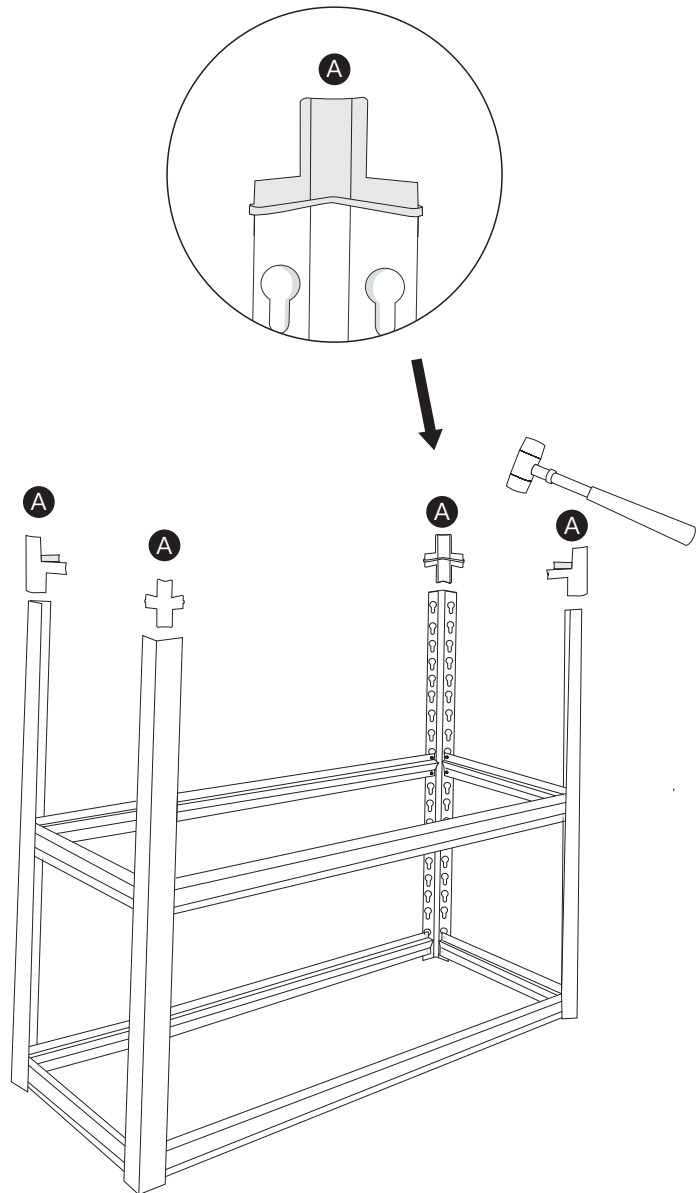
Step 4 Refer to step 2 and step 3 , connect the other two vertical bars in turn through the cross bar, as shown in the figure.



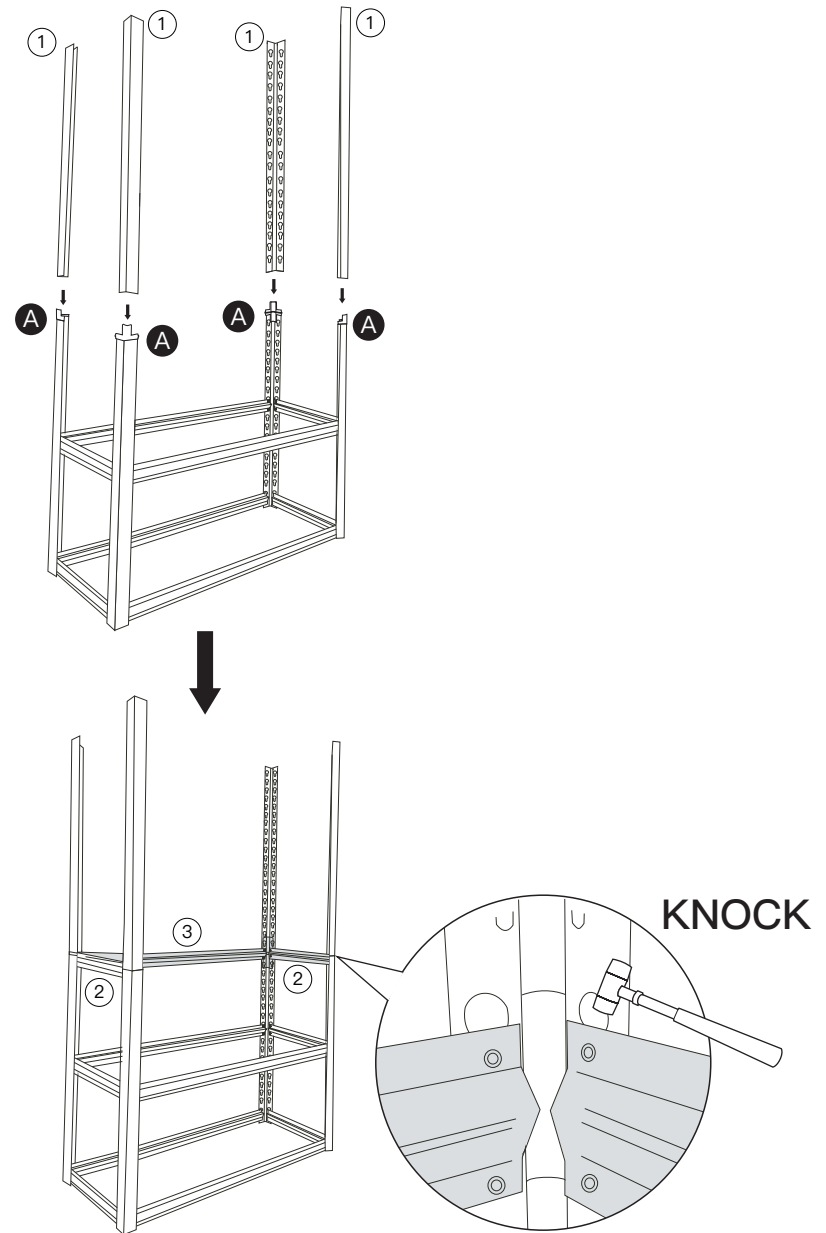
Step 5 Install 2 short cross bars (2) and 2 long cross bars (3) on the part previous assebled as shown below.



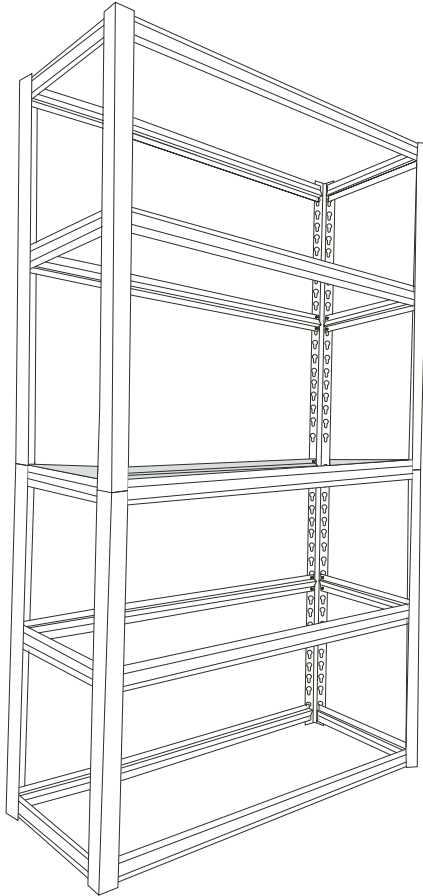
Step 6 Install 4 connectors (**A**), use hammer to knock them tight.



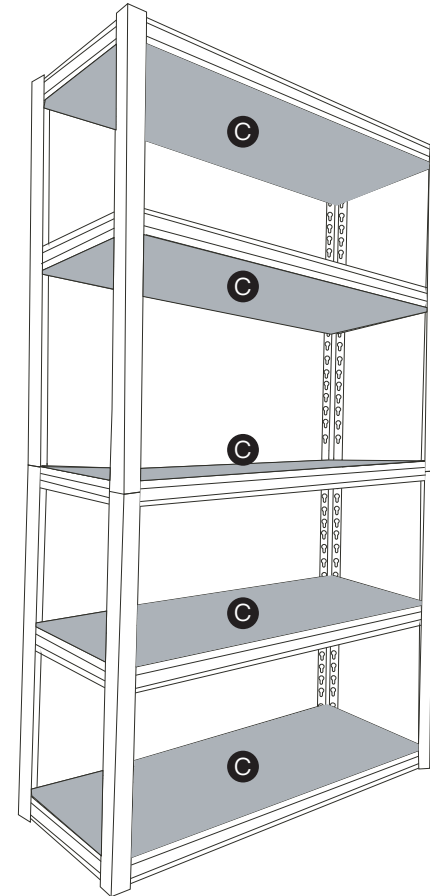
Step 7 Connect 4 vertical bars (①) to the finished frame by 4 connectors (**A**), then connect the cross bars (② & ③) as shown below.



Step 8 Finish assembling the rest of cross bars as previous steps shown in the figure.



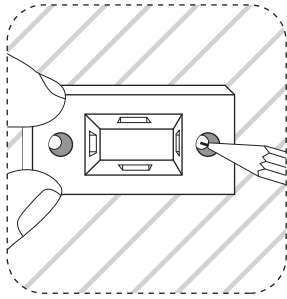
Step 9 Place all the steel boards (**C**) on the shelves as shown in the figure.



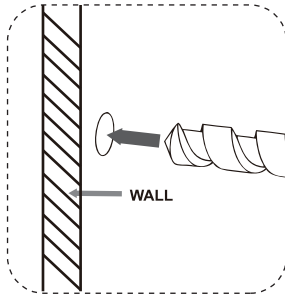
Step 10 (Optional) Install the anti-tip kit (part **F**) to keep the rack maximum stable.

NOTICE

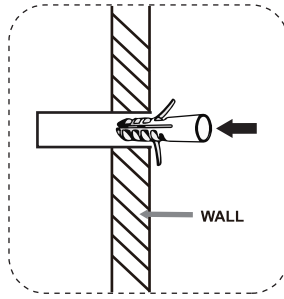
For maximum safety, the strips of anti-tip kit should cross the upper vertical bars.



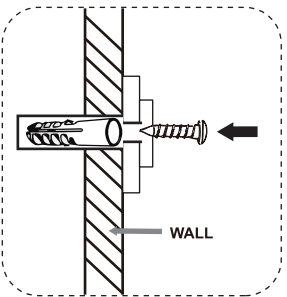
(1) Mark the location of bolt hole.



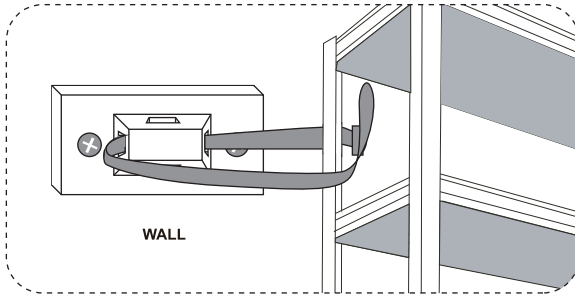
(2) Drill holes at marked location.



(3) Press the protective bolts in the wall.



(4) Fix the safety lock on the wall with bolts.



(5) Get the safety belt cross the lock and vertical bar, then get fastened.