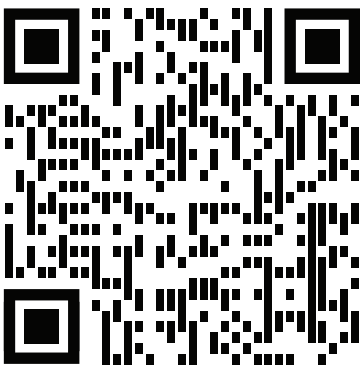


**STOP**

**IF YOUR DISPLAY IS DAMAGED OR YOU  
ARE IN ANY WAY UNSATISFIED PLEASE  
GIVE US THE CHANCE TO MAKE IT RIGHT!  
WE APPRECIATE YOUR PATRONAGE AND  
STAND BY OUR PRODUCTS 100%.**

**-TORCHED TEAM**



***SCAN  
TO WATCH  
ASSEMBLY  
VIDEO***



**TORCHED**  
DISPLAYS

**TORCHEDDISPLAYS.COM | SALES@TORCHEDDISPLAYS.COM  
217 HOBBS ST, STE 107, TAMPA, FL 33619 | 813-336-6558**

# CONTACT US!

TORCHEDDISPLAYS.COM | SALES@TORCHEDDISPLAYS.COM  
 217 HOBBS ST, STE 107, TAMPA, FL 33619 | 813-336-6558

**ATTENTION:** These fittings are designed to engage each other with minimal effort. You will never need any other tools to build your display. **DO NOT** force pieces. If a piece is broken, please contact us for replacement

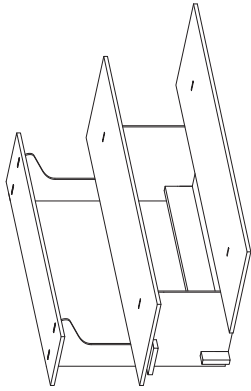


SCAN QR CODE TO WATCH ASSEMBLY VIDEO  
 or GO TO: [TorchedDisplays.com/Videos](https://TorchedDisplays.com/Videos)

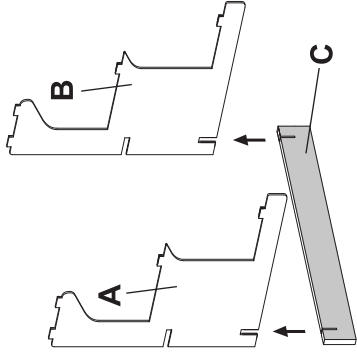
## Part List

|   |  |   |  |
|---|--|---|--|
| A |  | B |  |
| C |  | D |  |
| E |  |   |  |

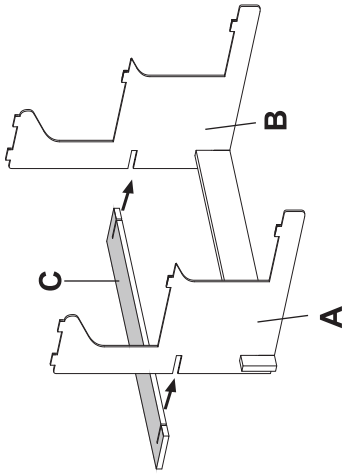
### FINAL PRODUCT



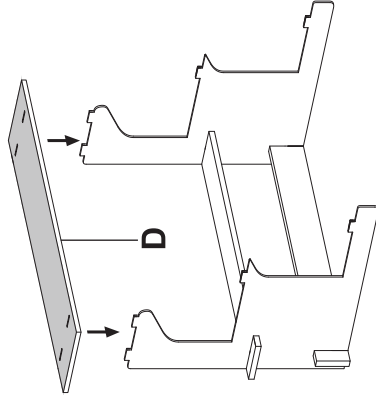
### STEP 1



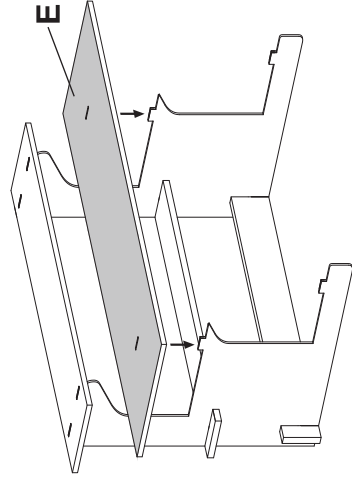
### STEP 2



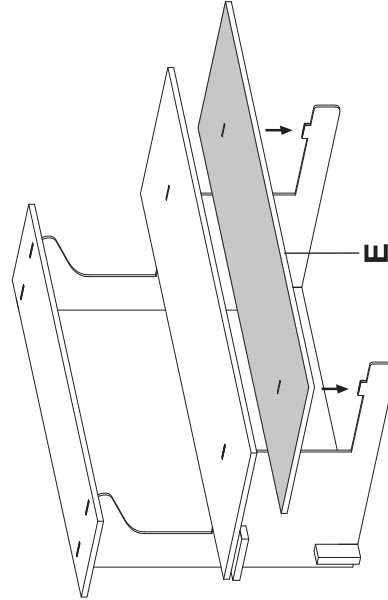
### STEP 3



### STEP 4



### STEP 5



### STEP 6

