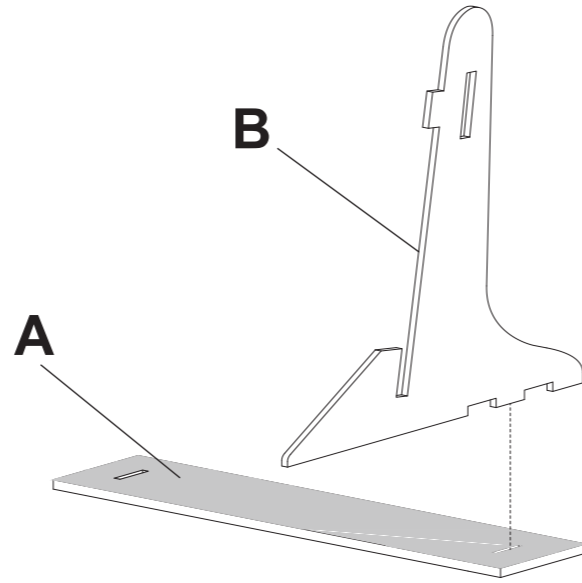


ATTENTION: These fittings are designed to engage each other with minimal effort. You will never need any other tools to build your display. **DO NOT** force pieces. If a piece is broken, please contact us for replacement

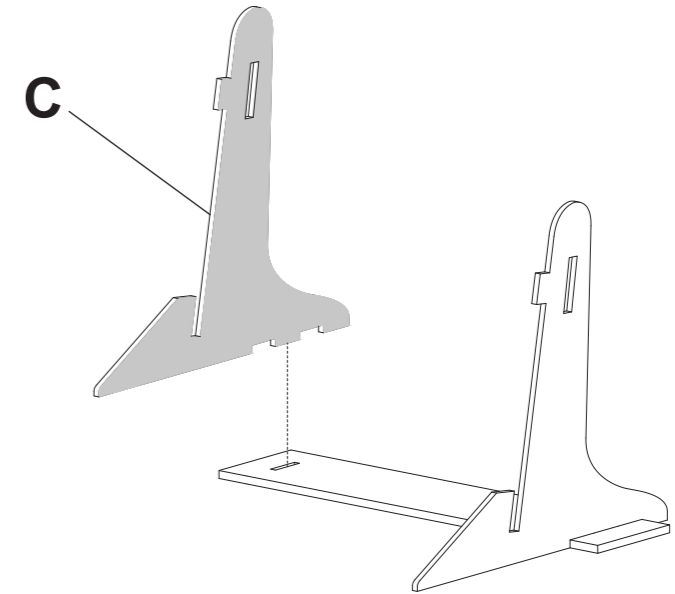


SCAN QR CODE TO WATCH ASSEMBLY VIDEO
or GO TO: [TorchedDisplays.com/videos](https://www.torcheddisplays.com/videos)

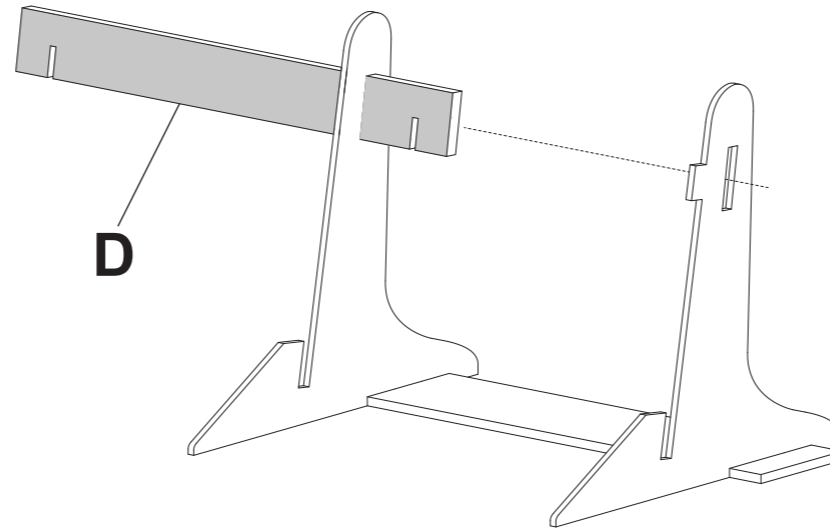
STEP 1



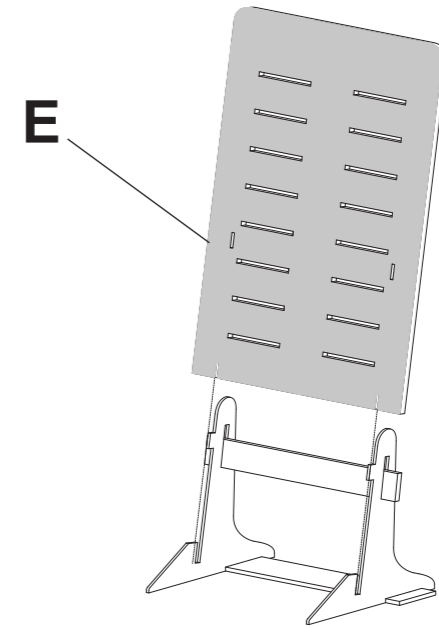
STEP 2




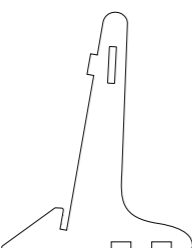
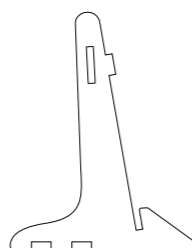

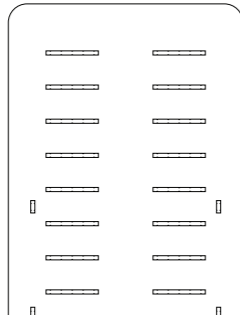
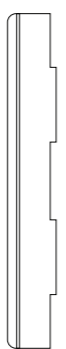
STEP 3



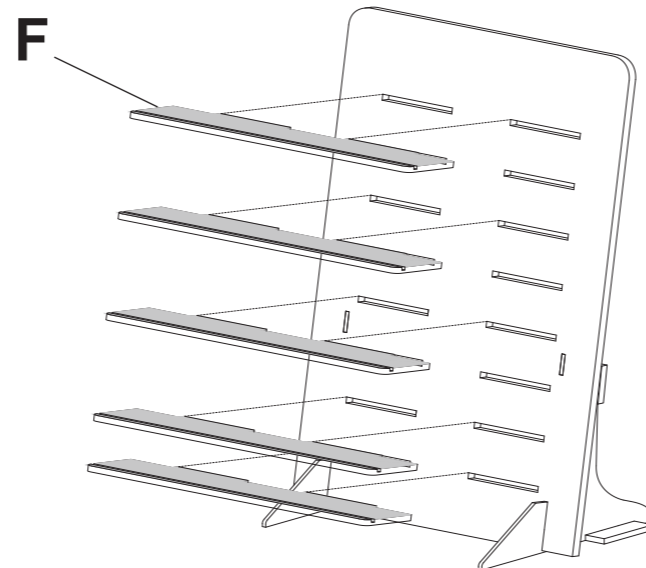
STEP 4



Part List

<p>A</p>  <p>(1)</p>	<p>B</p>  <p>(1)</p>	<p>C</p>  <p>(2)</p>
<p>D</p>  <p>(3)</p>	<p>E</p>  <p>(1)</p>	<p>F</p>  <p>(5)</p>

STEP 5



Insert as many shelves as needed. Shelves can be inserted into any open

FINAL PRODUCT

