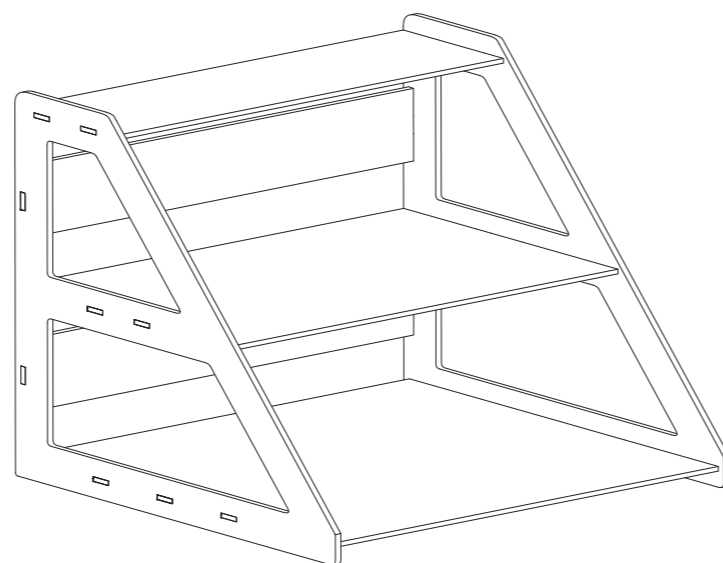


ATTENTION: These fittings are designed to engage each other with minimal effort. You will never need any other tools to build your display. **DO NOT** force pieces. If a piece is broken, please contact us for replacement

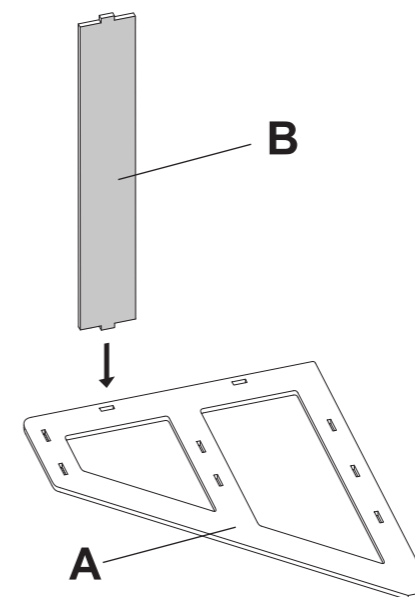


SCAN QR CODE TO WATCH ASSEMBLY VIDEO
or GO TO: [TorchedDisplays.com/videos](https://www.torcheddisplays.com/videos)

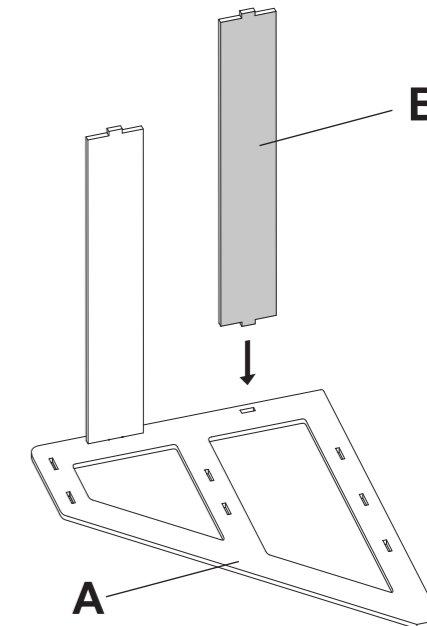
FINAL PRODUCT



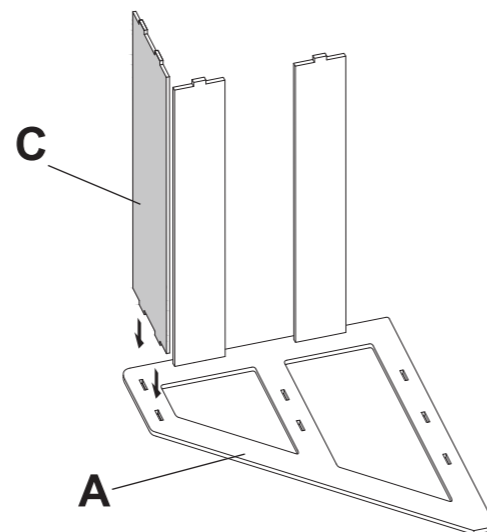
STEP 1



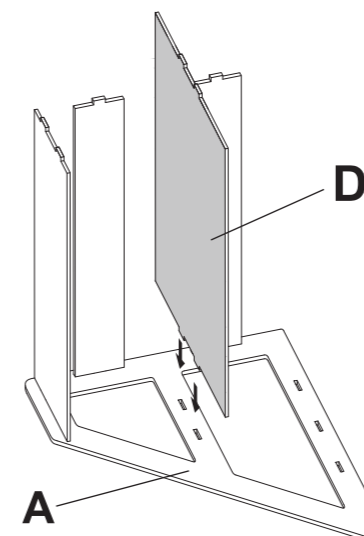
STEP 2



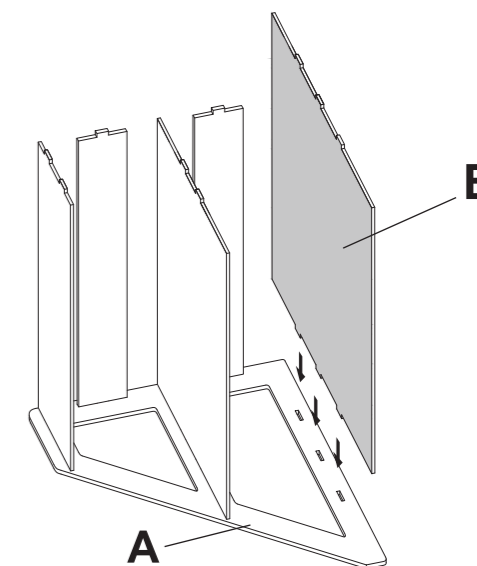
STEP 3



STEP 4

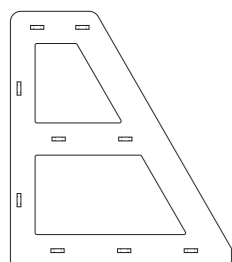


STEP 5

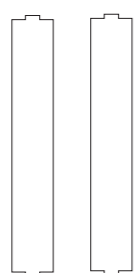


Part List

A



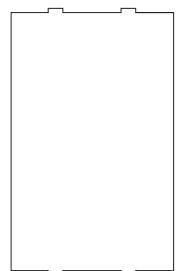
B



C



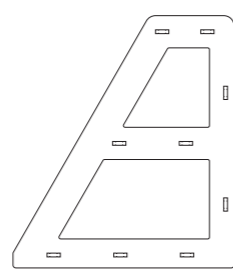
D



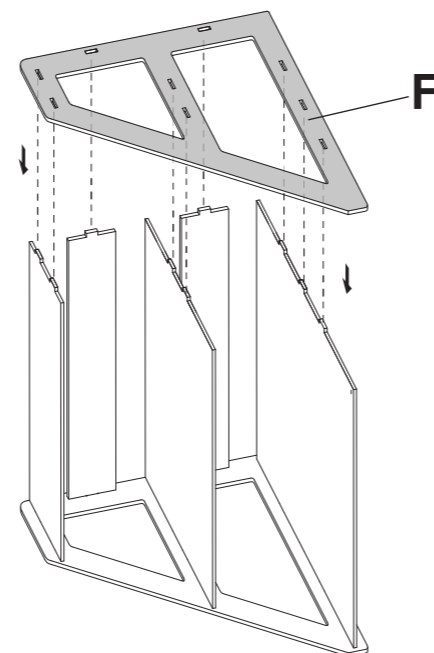
E



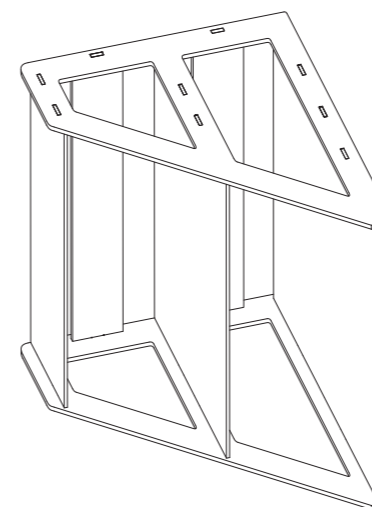
F



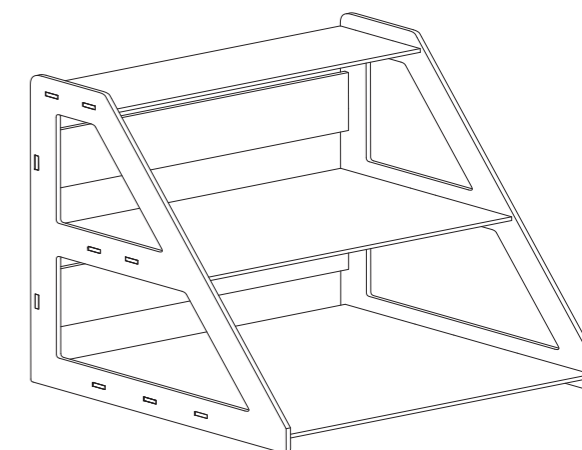
STEP 6



STEP 7



STEP 8



TURN OVER FOR INSTRUCTIONS



I want you to be 100% satisfied with your new display. If you have any issues at all or if there is any damage, please contact me and I will make it right for you, right away.

This display is **Made in America** by skilled craftspeople who take pride in their work. Please give us a chance to fix any issues you might have.

Thank you so much for you patronage.

Sincerely,
Dave Sabot



**SCAN
TO WATCH
ASSEMBLY
VIDEO**

**TORCHED
DISPLAYS**
TORCHEDDISPLAYS.COM
813-336-6558

