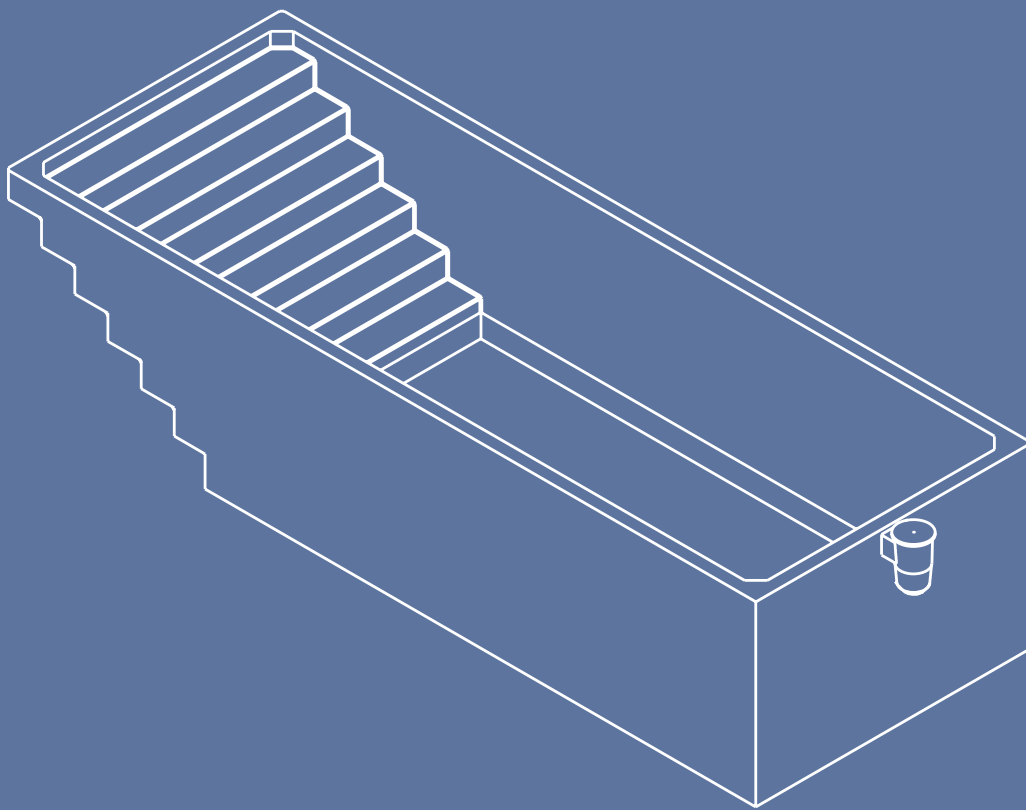




BLOC

PRECAST CONCRETE PLUNGE POOLS



SPECIFICATIONS

HIGHLY ENGINEERED PRE-CAST CONCRETE POOL SHELL

PREMIUM HISBALIT GLASS MOSAIC TILE INTERIOR

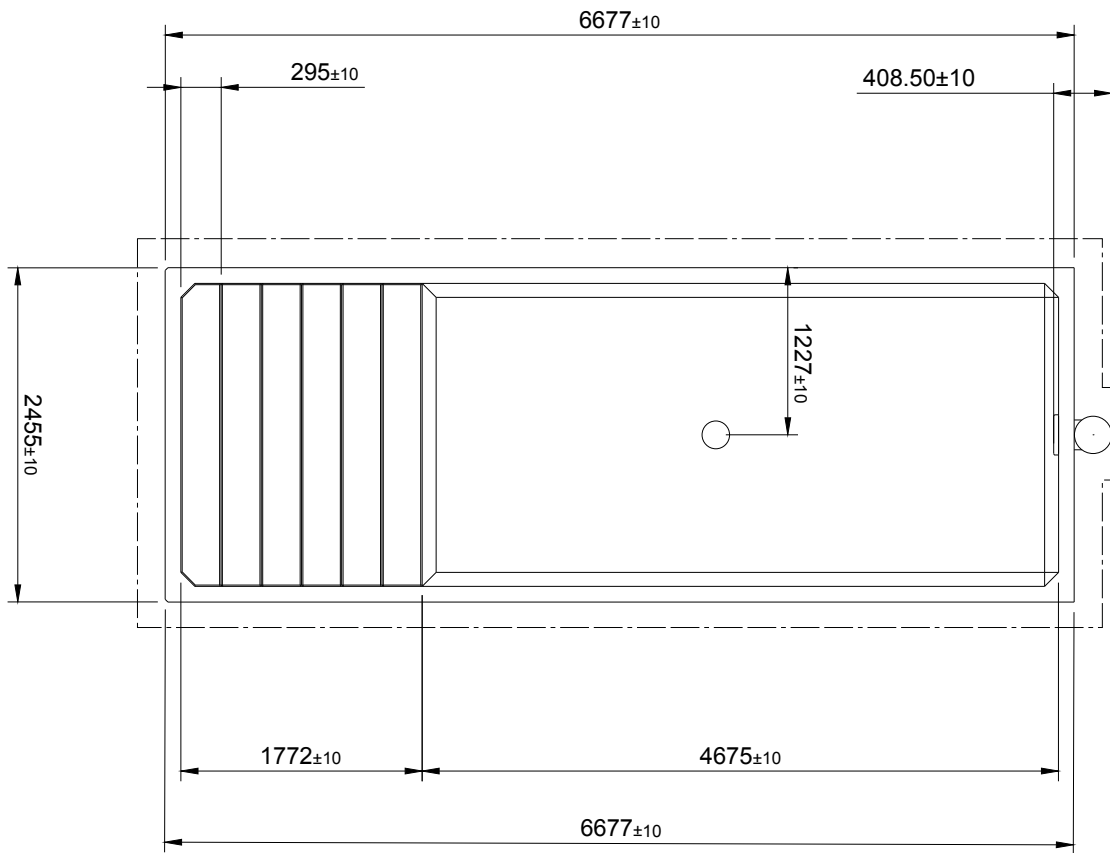
PRE-FITTED ASTRAL SKIMMER BOX

PRE-FITTED ASTRAL FLOOR DRAIN / RETURN

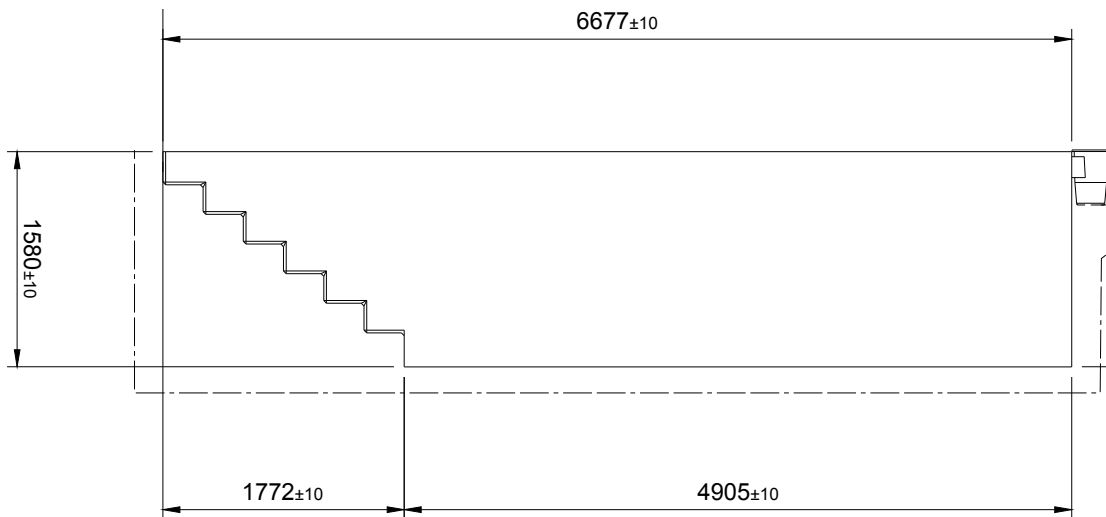
THREE (3) PRE-PLUMB RETURN INLETS

COPPER EARTHING CABLE

BLOC 6.7



PLAN VIEW



SIDE VIEW

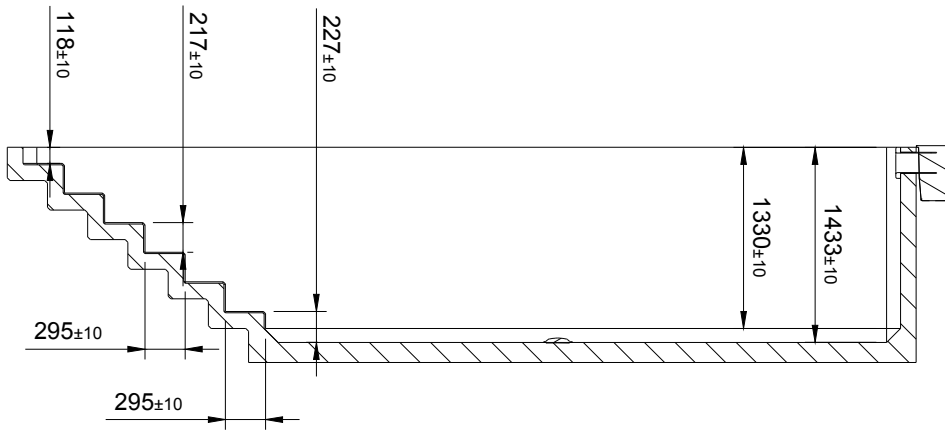


BLOC

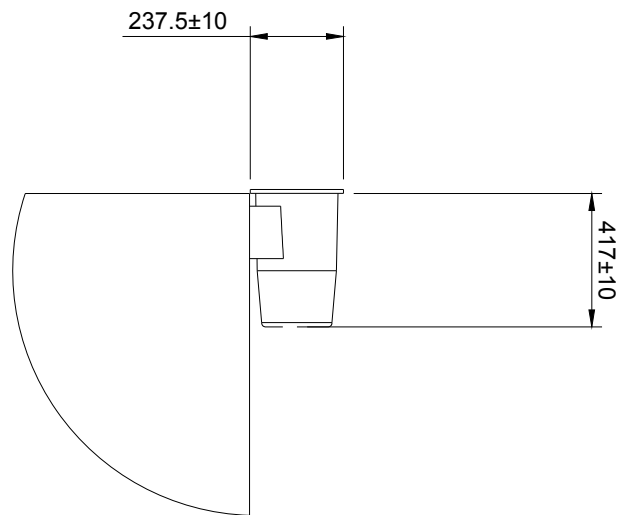
EMAIL: INFO@BLOCPOLS.COM

WEB: BLOCPOLS.COM

BLOC 6.7

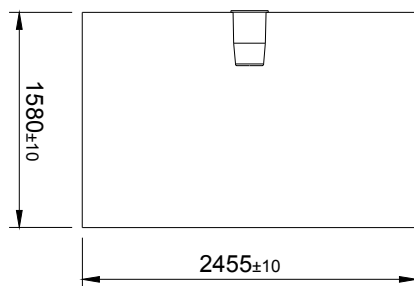


SIDE SECTION VIEW

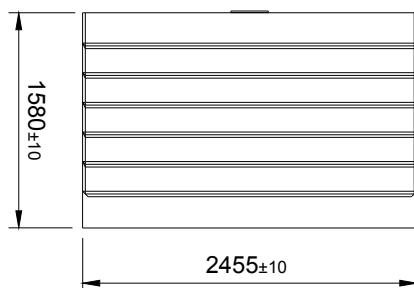


SKIMMER BOX DETAIL

BLOC 6.7

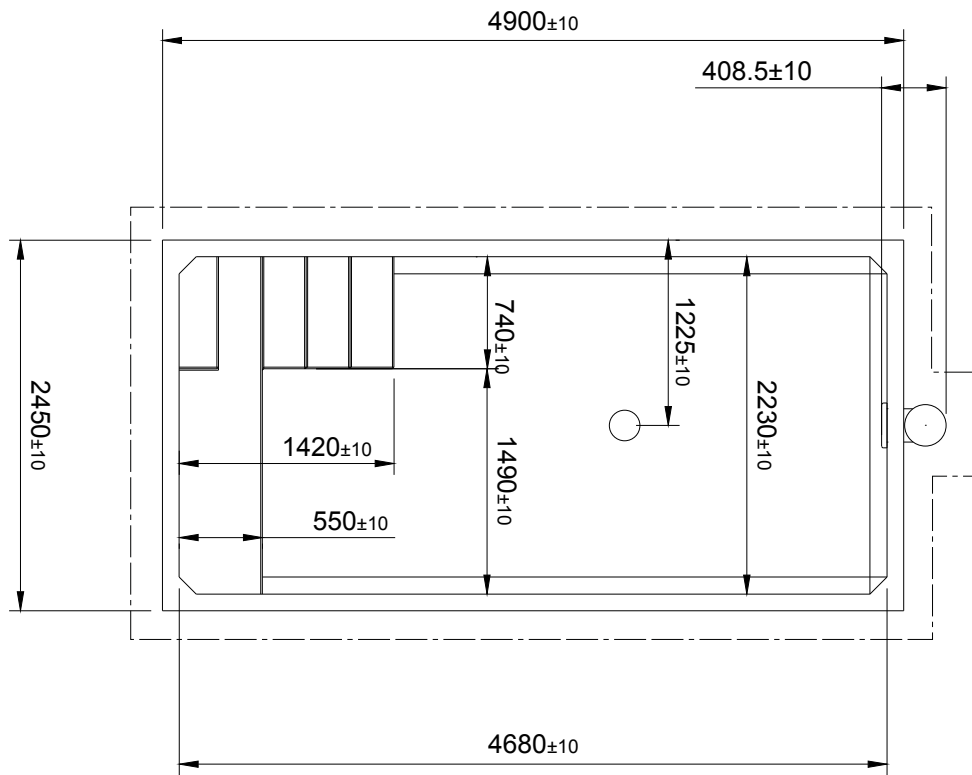


SKIMMER END VIEW

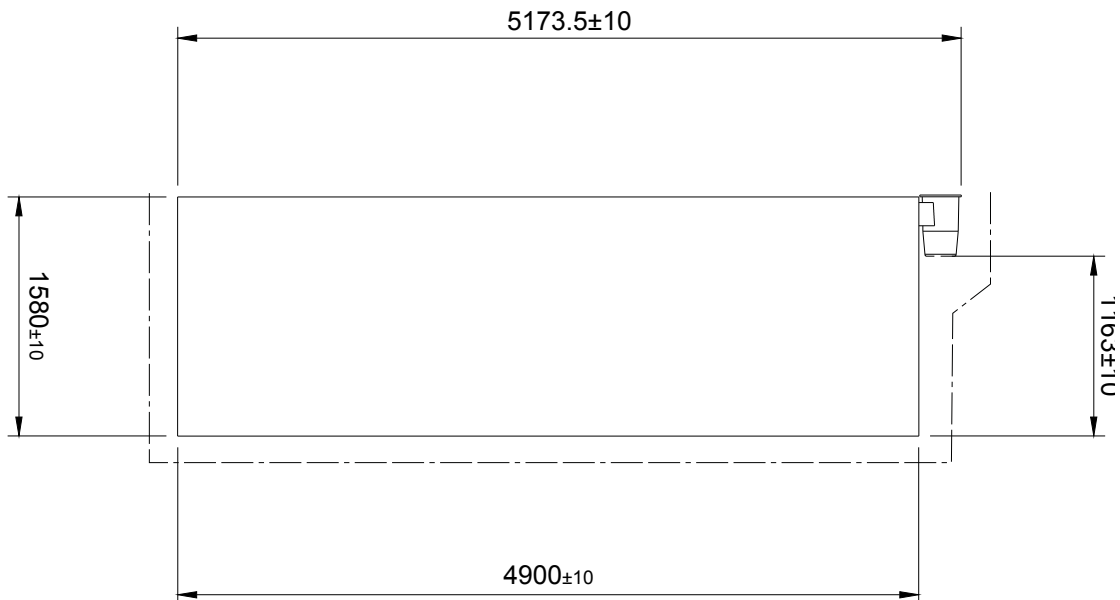


END VIEW

BLOC 4.9 - BENCH & STEPS

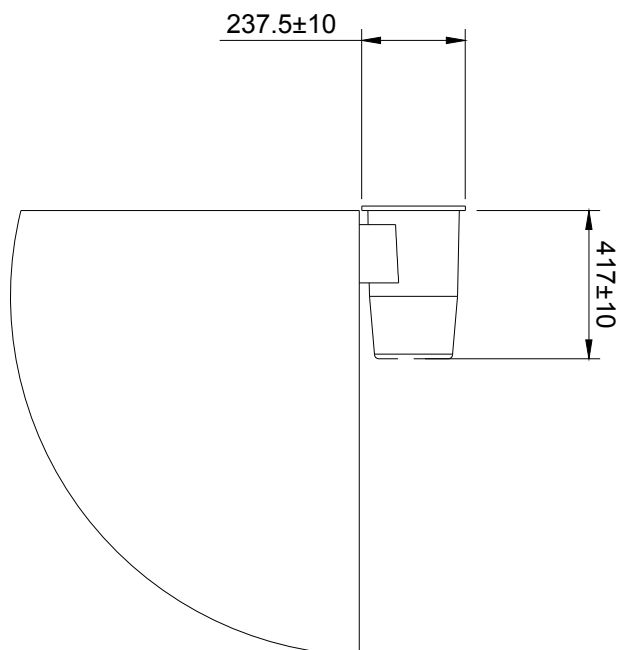
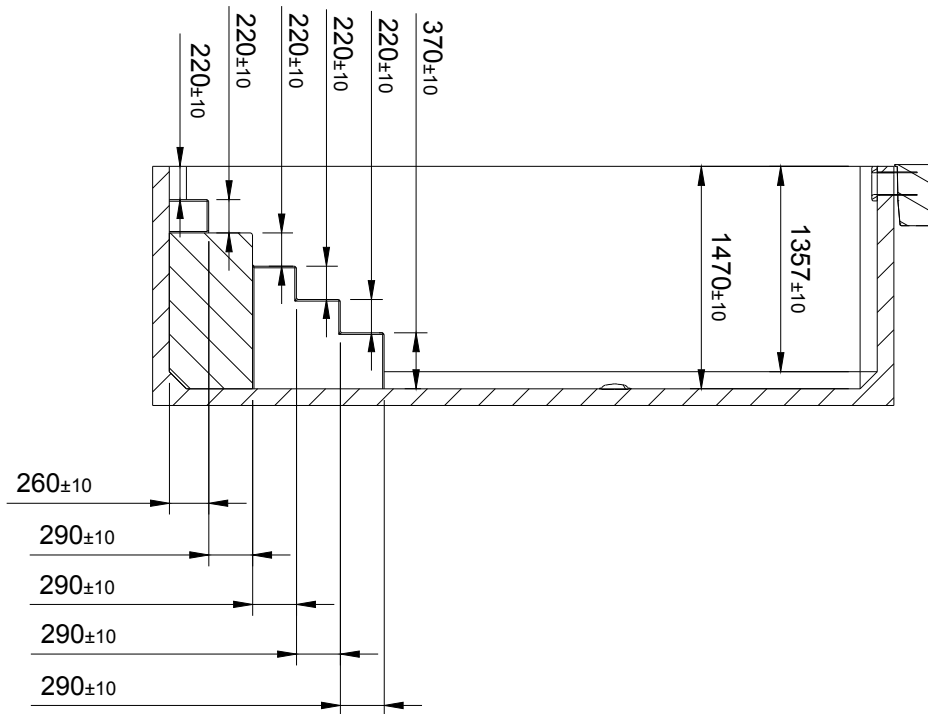


PLAN VIEW



SIDE VIEW

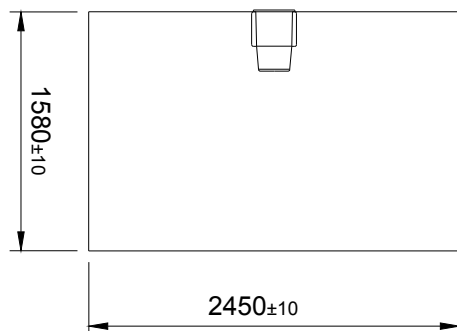
BLOC 4.9 - BENCH & STEPS



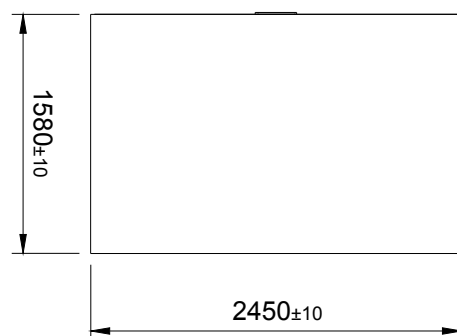
SIDE SECTION VIEW

SKIMMER BOX DETAIL

BLOC 4.9 - BENCH & STEPS

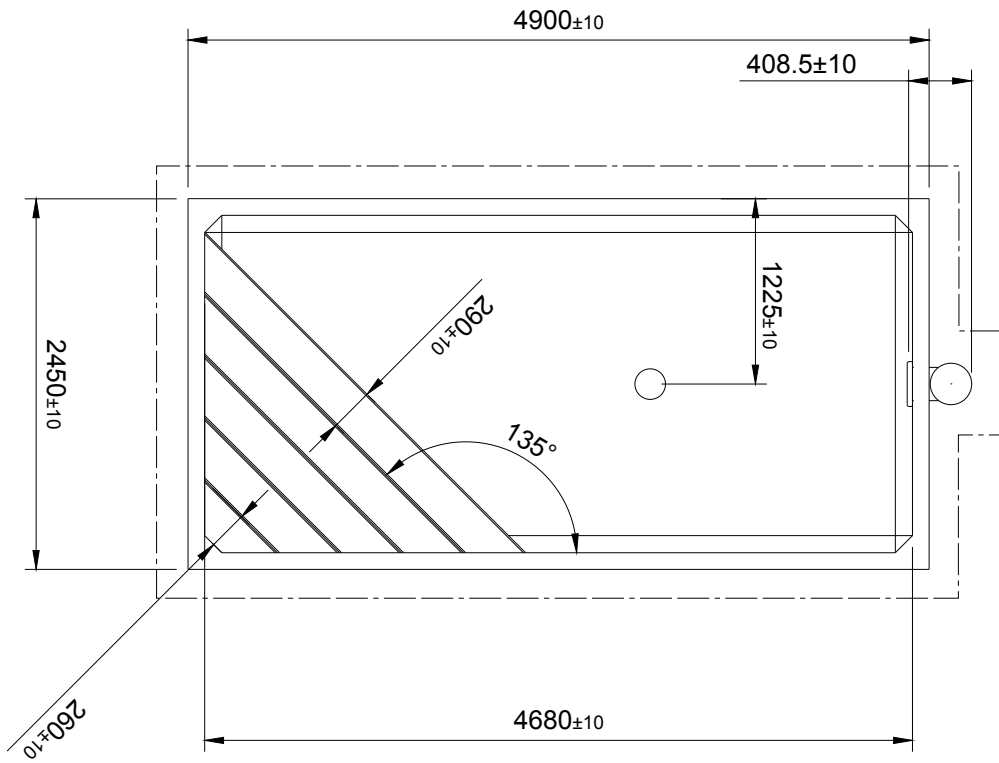


SKIMMER END VIEW

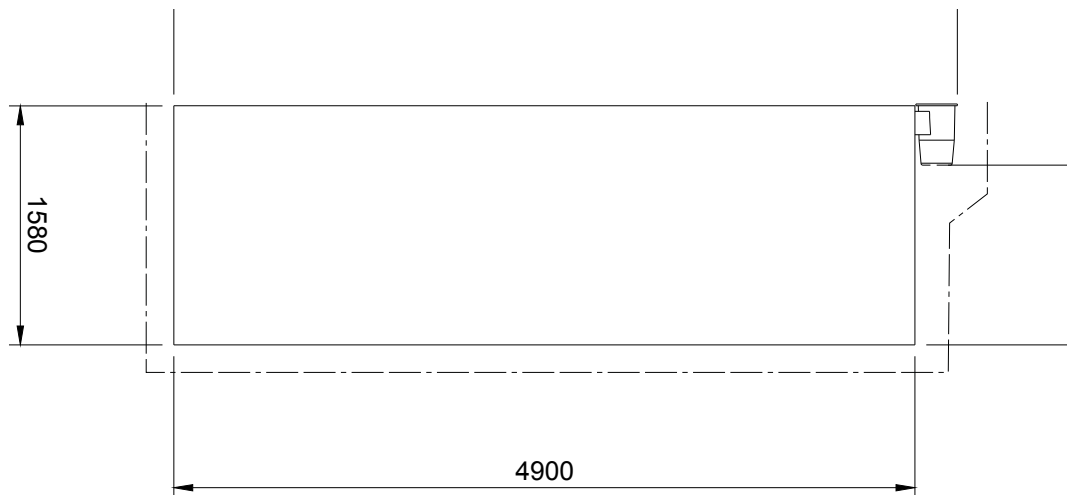


END VIEW

BLOC 4.9 - CORNER STEPS



PLAN VIEW



SIDE VIEW

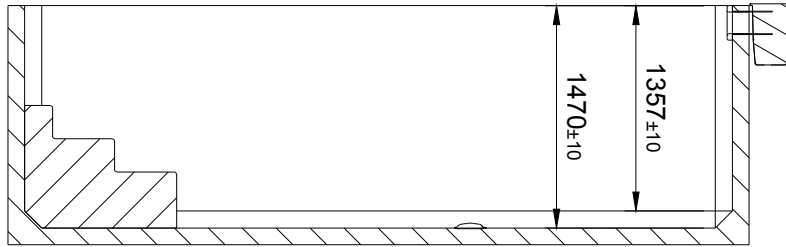


BLOC

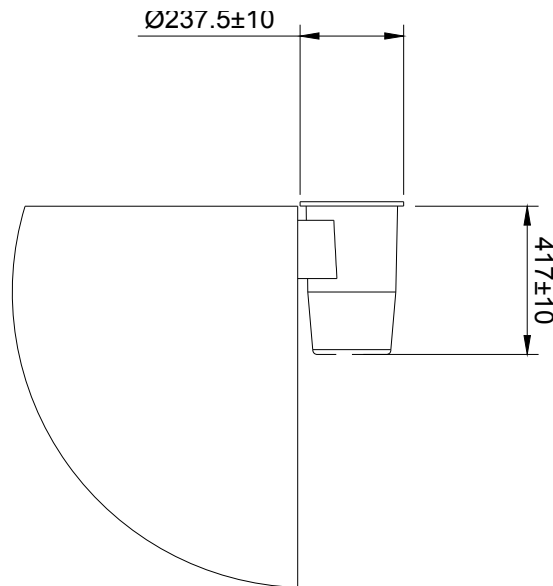
EMAIL: INFO@BLOCPOLS.COM

WEB: BLOCPOLS.COM

BLOC 4.9 - CORNER STEPS

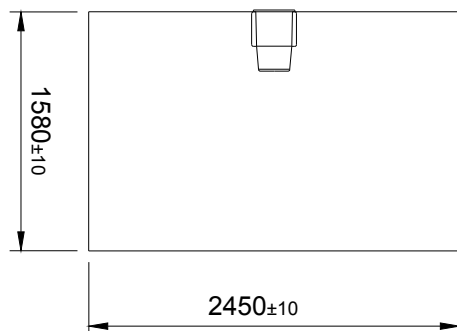


SIDE SECTION VIEW

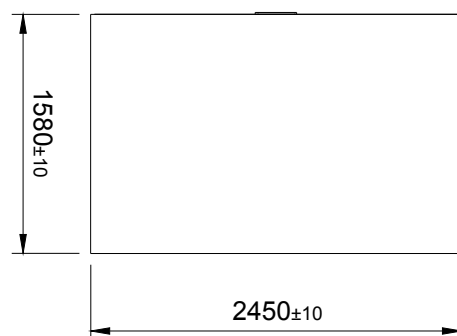


SKIMMER BOX DETAIL

BLOC 4.9 - CORNER STEPS

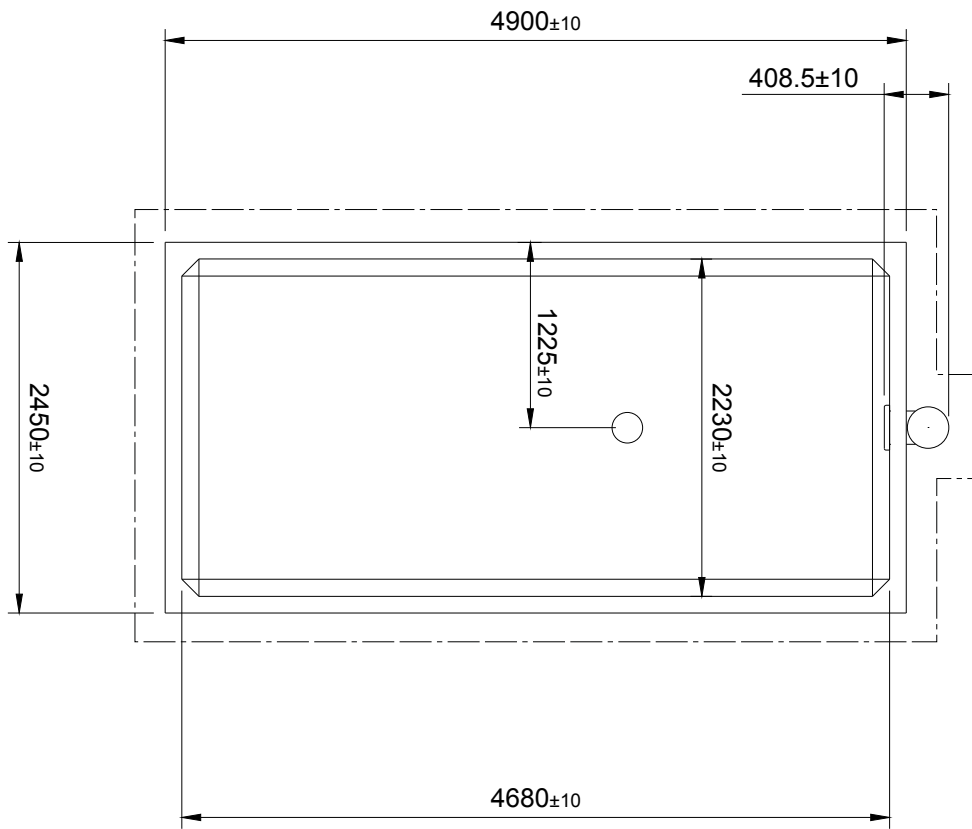


SKIMMER END VIEW

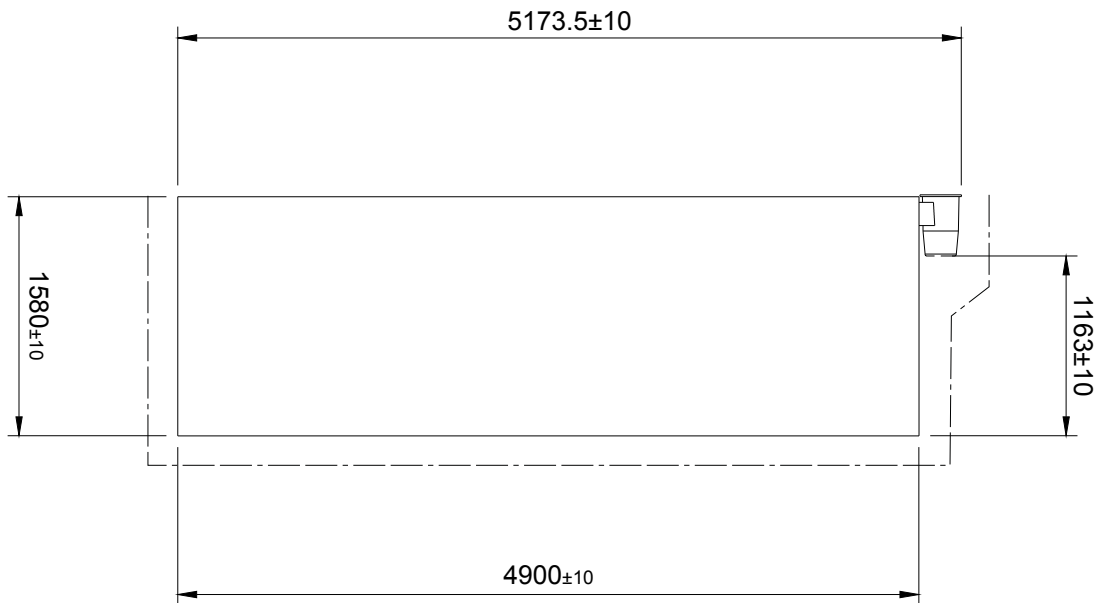


END VIEW

BLOC 4.9 - NO STEPS

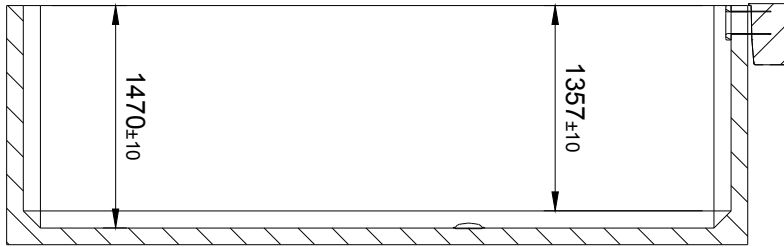


PLAN VIEW

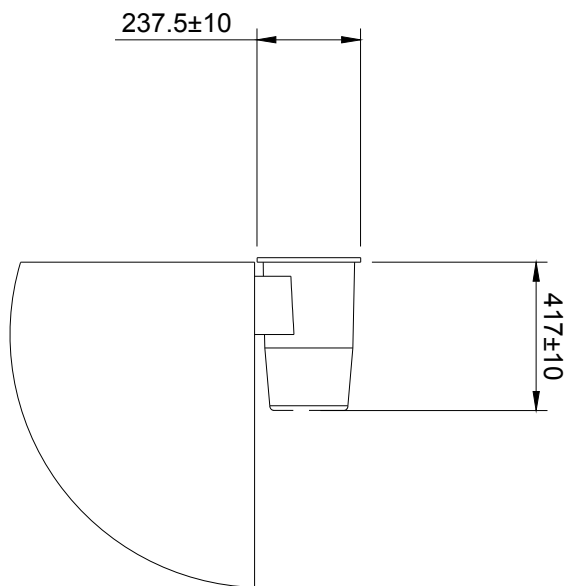


SIDE VIEW

BLOC 4.9 - NO STEPS

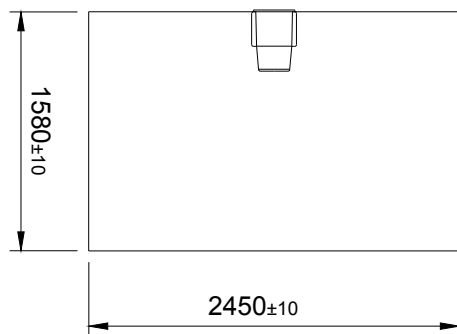


SIDE SECTION VIEW

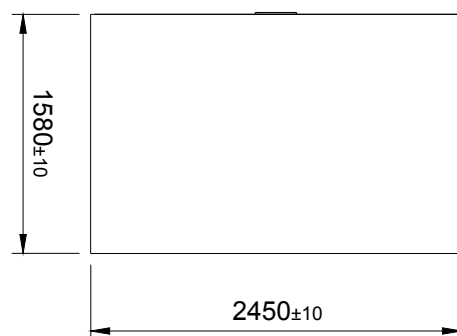


SKIMMER BOX DETAIL

BLOC 4.9 - NO STEPS



SKIMMER END VIEW



END VIEW