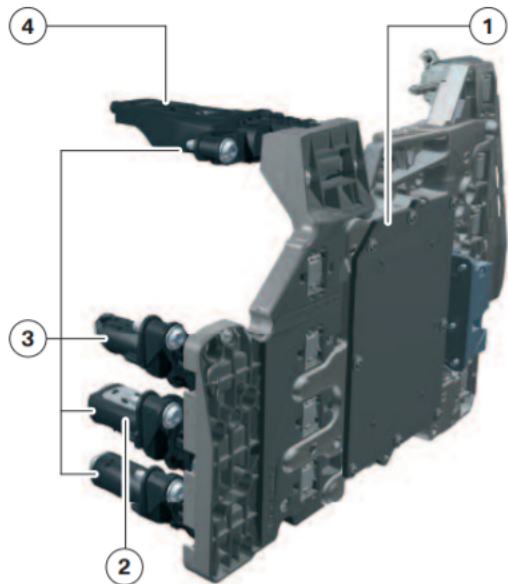
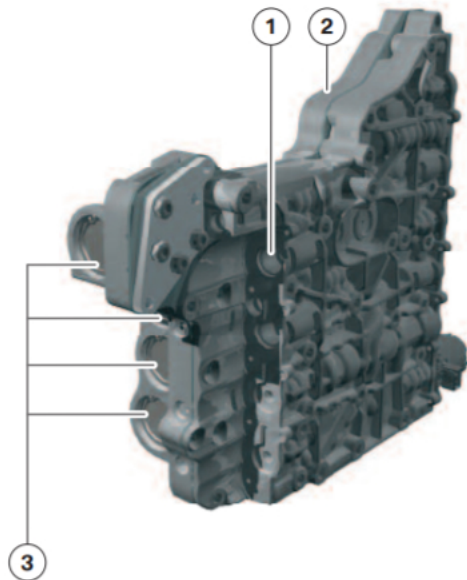


M DCT Electronic Components



Index	Explanation
1	M DCT electronics
2	Integrated parking lock sensors
3	Selector rod position sensors
4	Integrated shaft speed sensors

M DCT Hydraulic Components



Index	Explanation
1	Take up shift valve
2	M DCT hydraulic components
3	Shift cylinders