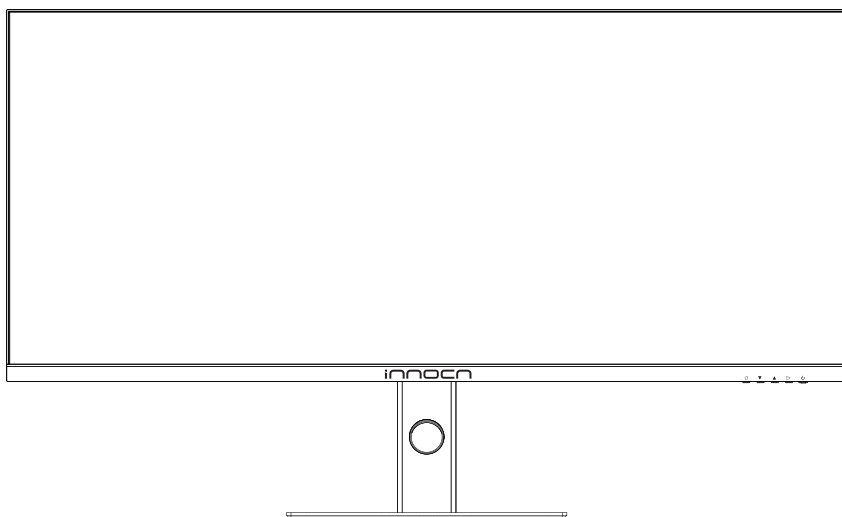


innocn<sup>®</sup>

**40C1R** User Manual for Art Monitor





# Contents

---

Precautions	2
Package Content	3
Installation	4
Adjustment of monitor	8
Instructions for use	9
OSD menu	11
Specification	14
Common troubleshooting	15
Supported Resolution and Refresh Rate	16
Warranty Information	17
German Rhine TÜV Low Blue Light Certification	18
Contact us	18

## Precautions

Before using this product, please read this User Manual carefully and keep it well

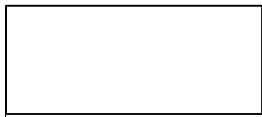
---

- Keep the monitor away from water sources or damp places, such as bath rooms, kitchens, basements and swimming pools.
- Make sure the monitor is placed on a flat surface. If the monitor falls down, it may cause human injury or device damage.
- Store and use the monitor in a cool, dry and well ventilated place, and keep it away from emission and heat sources.
- Do not cover or block the vent hole in the rear casing, and do not use the product on a bed, sofa, blanket or similar objects.
- The range of the supply voltage of the monitor is printed on the label on the rear casing. If it is impossible to determine the supply voltage, please consult the distributor or local power company.
- If the monitor will not be used for a long period, please cut off the power supply to avoid electric shock in rainy days and damage due to abnormal supply voltage.
- Please use a reliable grounded socket, Do not overload the socket, or it may cause fire or electric shock.
- Do not put foreign matters into the monitor, or it may cause short circuits resulting fire or electric shock.
- Do not disassemble or repair this product by self to avoid electric shock. If faults occur, please contact the after-sales service directly.
- Do not pull or twist the power cable forcedly.
- There is a polarizer layer (not a protective film) on the surface of the screen. Do not peel it off, or the product may be damaged and the warranty will be invalid.

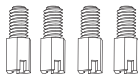
## Package Content

### Packing list

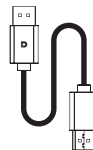
- Please check that the package of the monitor contains all parts. If any part is lost, please contact the distributor.
- The color and shape of parts may vary with models. Figures in this User Manual are for reference only.
- Cables supplied may vary with purchased products. Figures in this User Manual are for reference only.



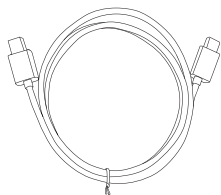
Display screen



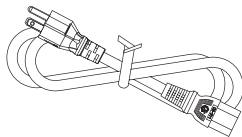
Mount hexagon irons



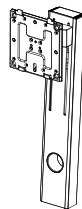
DP cable



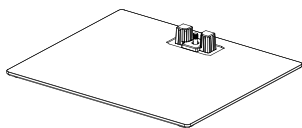
Type-C Cable



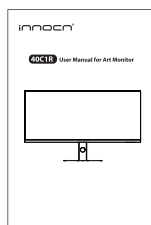
Power cable



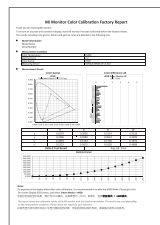
Stand



Base



User Manual

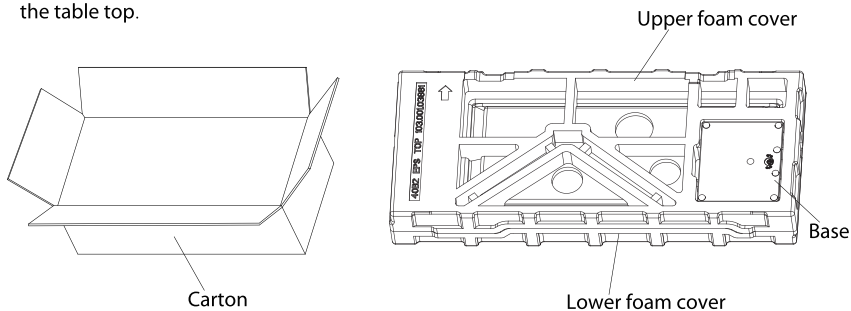


Color calibration report

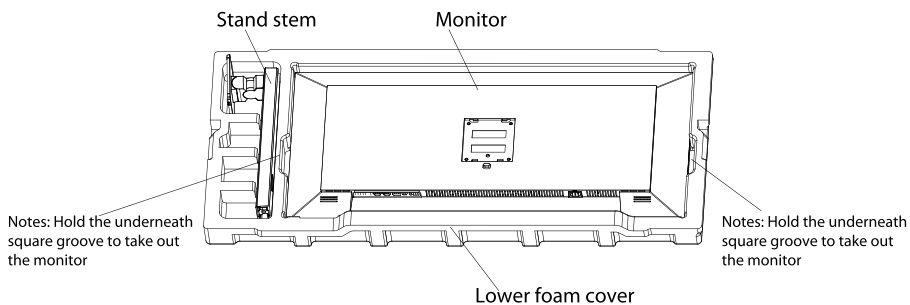
## Installation

### Installation of base

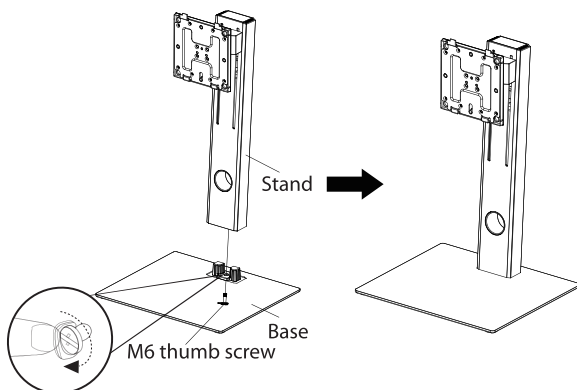
1. Open the carton package, take out the upper and lower foam covers and put them flat on the table top.



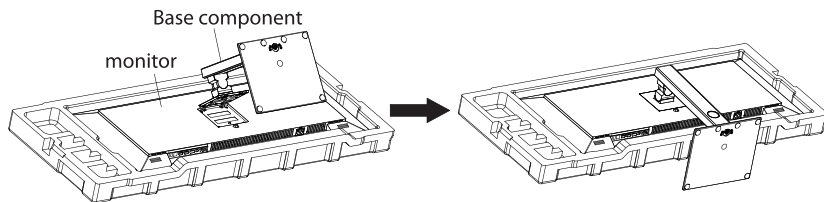
2. Remove the upper foam cover and put it aside, take the monitor out from the film bag and put it in the chamber of the lower foam cover.



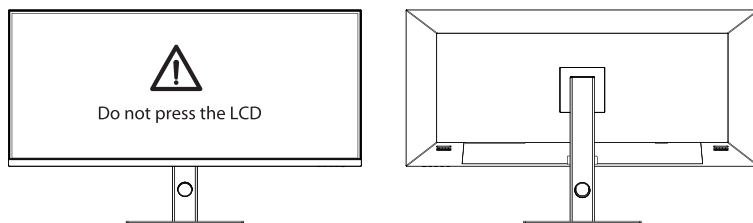
3. Take out the stand and the base and lock them with a 1 M6 thumb screw (see the figure below).



4. As shown in the figure below, put the base component assembled in Step 3 into the slot of the rear casing, slightly press the stand to clip the rotary shaft component into position, and hold the middle of the stand with hand to lightly lift the monitor twice to ensure that the monitor cannot loosen and the clip can lock the base component firmly; during disassembly, perform these steps reversely.



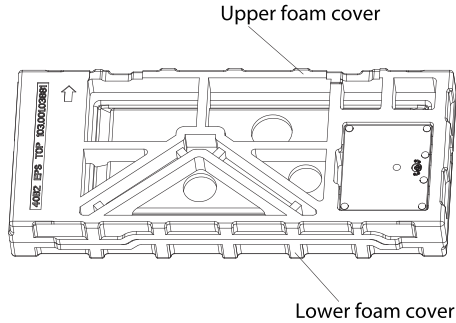
5. Simply hold the stand with hand to stand the monitor upright.



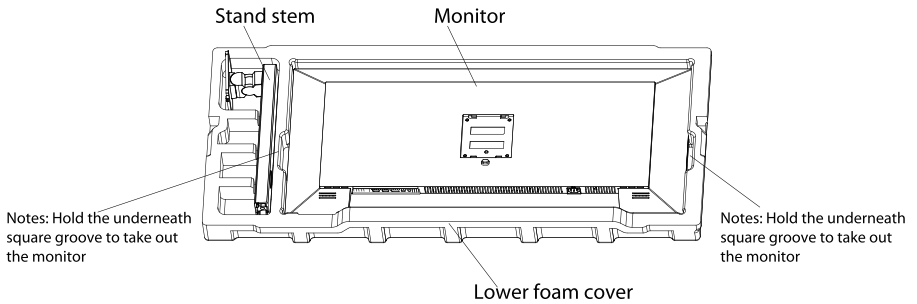
- ⚠** Note: During standing of the monitor, do not take out the monitor from foams, and do not pinch the liquid crystal screen with hand to avoid damage to the screen.

## Installation of mount

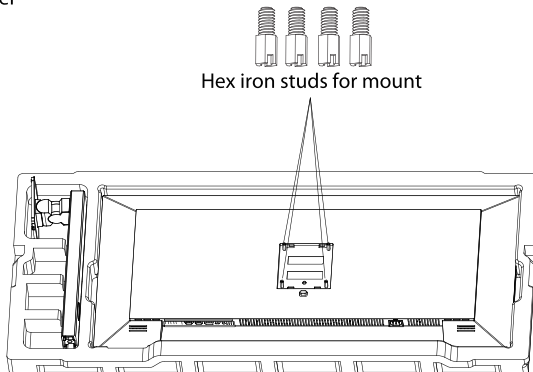
1. Open the package to take out foams wholly and put them on a flat tabletop.



2. Remove the upper foam cover and put it aside, take the monitor out from the film bag and put it in the chamber of the lower foam cover.

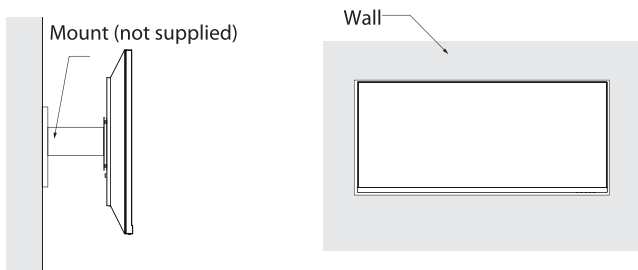


3. Remove the upper foam cover, take out the bag of the monitor and put the monitor back in the lower foam cover



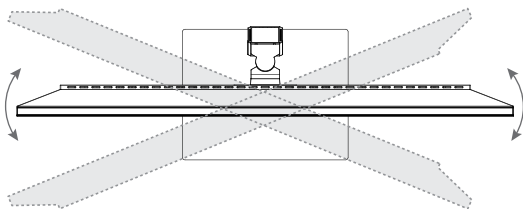


4. During padlocking of the monitor, do not pinch the screen with the hands to avoid damaging the screen. Install the mount to the mount stud by referring to the user manual of the mount (purchased separately). Tips: The mounting hole distance of the mount for the product is 100x100mm.

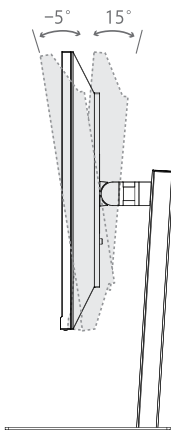


**⚠** Notes: To prevent the monitor on the mount from failing, please install it firmly and protect it fully. Do not place or hang any object on the mount, and the using height of the mount should be less than 2 meters.

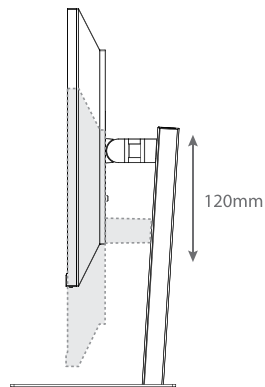
## Adjustment of monitor



Rotation angle  
 $-30.0^{\circ}(\pm 2.0^{\circ}) - +30^{\circ}(\pm 2.0^{\circ})$



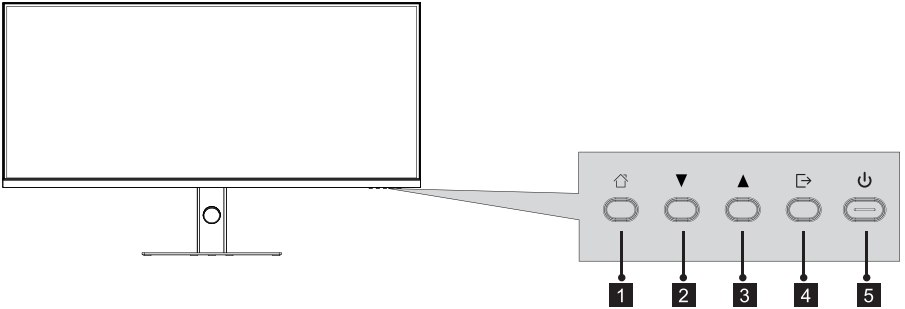
Tilting angle  
 $-5.0^{\circ}(\pm 2.0^{\circ}) - +15^{\circ}(\pm 2.0^{\circ})$



Height adjustment  
0- 120mm ( $\pm 5.0$ mm)

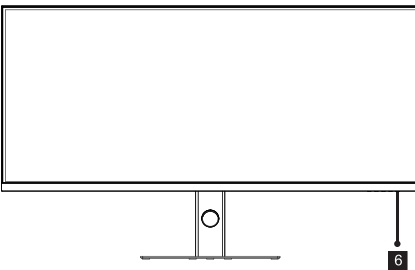
## Instructions for use

### Description of buttons



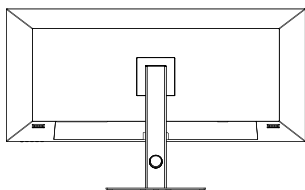
Button	Function
1	Menu button: Press to enter sub-menus/ quickly enter the main menu
2	Down button: Press to move down in the menu/quickly adjust the brightness
3	Up button: Press to move up in the menu/quickly adjust the volume
4	Exit/hot key: Press to return to the previous menu/quickly switch input signals of the port
5	Power button: Press to turn on/off the monitor

### Explanation of indicator light



6. Indicator light: Steady blue light indicates the power is on and the monitor runs normally. Flashing red light indicates no video signal detected or low voltage. Please make sure that your computer is turned on and all video cables are fully plugged in and/or connected.

## Cable connection



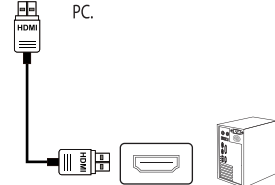
\* The bottom interface configuration at the back of the monitor varies with products.

\* Note: If the power cable or signal cable is damaged, you must replace it with special soft cables or special components purchased from the manufacture or maintenance department.

### HDMI interface



Use the HDMI cable to connect the HDMI IN port of the product to the HDMI OUT port of a PC.



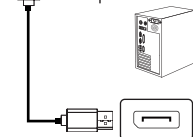
Use the HDMI-DVI cable (not included) to connect the HDMI IN port of the product to the DVI OUT port of a PC. (In general, PCs do not transfer video signals to the monitor through the DVI OUT interface, and it is necessary to connect a loudspeaker box additionally to play sounds of PCs.)



### DP interface



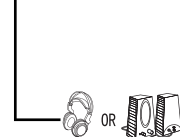
Use the DP cable to connect the DP IN port of the product to the DP OUT port of a PC.



### AUDIO OUT



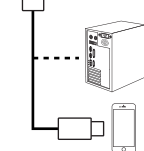
Connect audio outputting devices such as earphones to the AUDIO OUT port.



### Type-C interface



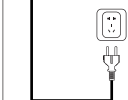
A Type-C line can be used to connect to data ports of machines and external terminals.



### AC IN interface



Please connect the power cable plug to the corresponding port of the monitor, and connect the other end to a properly grounded power outlet.




## OSD menu

When booting for the first time, you need to set the default language of the monitor menu. Press buttons (▲ ▼) to select the language to be set, and press the OK button (M) to confirm.

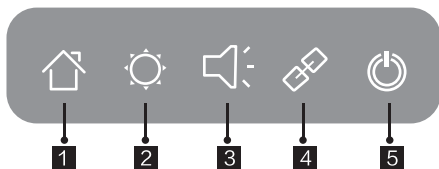


### Menu description

- The color and shape of the OSD menu of the actual computer may be slightly different from them shown in the figure.
- Specifications of the OSD menu may change with improvements of functions without prior notice.

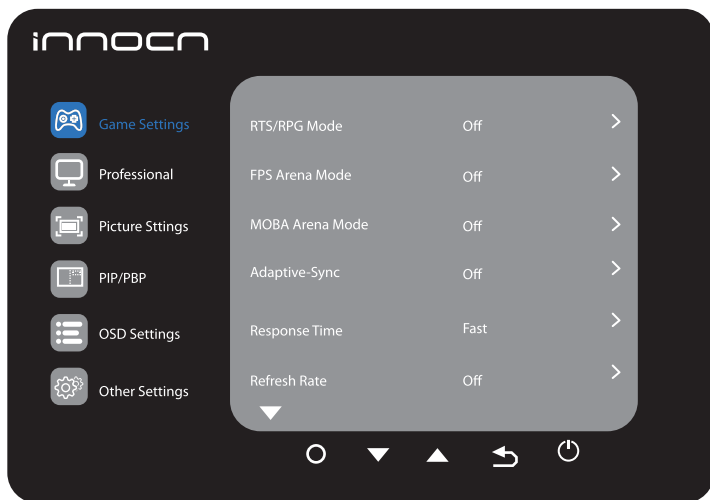
The screen display (OSD) menu can be used to adjust settings of the monitor and is shown on the screen after the monitor is powered on and the  button is pressed.



1. Press one of the buttons ( ▼ ▲  ) to activate the browser screen.




1	Enter the main menu
2	Adjust the brightness
3	Adjust the volume
4	Switch port input signal
5	Power ON/OFF




2. Press  to enter the OSD screen.



3. Press  or  to scroll through the functions.

- Select the desired function, and press  to enter the sub-menu.

- Press  or  to scroll through sub-menus, and press  key to select and confirm the desired function.

- Press  or  to select one option, and press  to confirm settings and exit from the current menu.

4. Press  to exit from the menu screen

• Functions of the monitor vary with models, and the functions in this manual are for reference only

Game Settings	RTS/RPG Mode	Off/On
	FPS Arena Mode	Off/On
	MOBA Arena Mode	Off/On
	Adaptive-Sync	Off/On
	Response Time	Off/Normal/Fast/Ultrafast
	Refresh Rate	Off/On/Position
	Game Crosshair	Off/Crosshair 1/Crosshair 2/Crosshair3/Crosshair 4/Crosshair 5/Crosshair6

- Functions of the monitor vary with models, and the functions in this manual are for reference only.

Professional	Standard Mode	N/A
	sRGB Mode	N/A
	Adobe Mode	N/A
	Uniformity Mode	N/A
	Gamma	1.6/1.8/2.0/2.2/2.4/2.6/2.8/5.curve
	C.T settings	Natural/Design/Warm/Cool/User C.T1/User C.T2/User C.T3
	Sharpness	0-5
	Shadow Balance	0-100
	Low blue light	0-100
	Hue	R/G/B/C/M/Y
	Saturation	R/G/B/C/M/Y
	Dynamic Brightness	Off/Standard/Expert/Elaboration
Picture Sttings	Brightness	0-100
	Contrast	0-100
	DCR	Off/On
	Contextual model	Off/Movie mode/Reading mode/Night mode/Care eyes mode
	HDR	Off/HDR Standard/HDR Movie/HDR Design
	Aspect ratio	Wide Screen/4:3/1:1/Auto
PIP/PBP	PIP/PBP Mode	Off/PIP Mode/PBP 2win 1:1/PBP( Phone1)/PBP( Phone2)
	Sub-Singal Source	Type-C/DP/HDMI1/HDMI2
	Audio source	Auto/Type-C/DP/HDMI1/HDMI2
	PIP Position	Top Right/Top Left/Bottom Right/Bottom Left
	PIP Size	Small/Medium/Large
	Window Swap	N/A
OSD Settings	Language	简体中文/English/한국어/日本語/Portugues do Brasilazil/ Deutsch/Nederland/ Suomi/ Français/Ελληνικά/Indonesia/Italiano/日本語/Malaysia/Polskie/Português/Русский/ Español/ไทย/Українська/Tiếng Việt/繁體中文/Türkçe
	OSD Time Out	0-100
	OSD H-Position	0-100
	OSD V-Position	0-100
	OSD transparency	0-5
	Hotkey1 Setting	Brightness/Contrast/Volume/Mute/Shadow Balance/Game Crosshair/Refresh Rate/Contextual model/ PIP/PBP Mode/Input Signal/Dynamic Brightness/HDR
	Hotkey2 Setting	
Hotkey3 Setting		
Other Settings	Input Sinal	Auto/Type-C/DP/HDMI1/HDMI2
	Volume	0-100
	Mute	Off/On
	Auto Power	Off/On
	Eyeshield Remind	Off/On
	Reset	No/Yes
	Information	Input Source: HDMI2/ Resolution: 3440x1440@50Hz/Mode: Standard Mode/ HDR Ver:SDR/ SN:000000000000

## Specification

Product Name		LCD Monitor
Product model		40C1R
Screen Size		40inch ( 101cm )
Aspect Ratio		21:9
Viewing Angle		178°(H) / 178°(V)
Pixel pitch		0.08975 ( H ) × 0.26925 ( V ) mm
Contrast ratio		1200:1 ( TYP )
Color		16.7m
Resolution		3440x1440
Refresh Rate		144Hz
Power Input		100-240V~ 50/60Hz, 3.0A The standard voltage and power supply may vary with countries, please refer to the label at the back of the product.
Product Dimensions	Without base	944.1x418.5x56.8mm approx. 8.78kg
	With base	944.1x572.2x253.6mm approx. 12.65kg
Tilting angle		Forward tilting-5°±2.0° ; Backward tilting+15°±2.0°
Height range		120±5mm
Rotation angle		-30°±2.0°/+30°±2.0°
Vertical angle		N/A
Environmental conditions	Action	Temperature: 0°C~ 40°C (32°F ~ 104°F) Humidity: 10%~90% RH (non-condensing)
	Storage	Temperature: -20°~ 60° (-4°F ~ 140°F) Humidity: 5%~95% RH (non-condensing)



The terms HDMI and HDMI High-Definition Multimedia Interface, and the HDMI Logo are trademarks or registered trademarks of HDMI Licensing Administrator, Inc. in the United States and other countries.

**FC** This device complies with Part 15 of the FCC Rules. Operation is subject to the following two conditions:(1)This device may not cause harmful interference, (2)This device must accept any interference received,including interference that may cause undesired operation.



## Common troubleshooting

The following table contains general information about common monitor problems you might encounter and the possible solutions.

Common Symptoms	Possible Solutions
No display after turning monitor ON (screen is black but power supply lights is ON)	<ul style="list-style-type: none"> <li>• Ensure that the video cable connecting the monitor and the computer is properly connected and secure.</li> <li>• Make sure if the operating system had entered hibernation, sleep or power-save mode. Press any key (Enter key / Power key) or move the mouse to wake it up.</li> <li>• Check for bent or broken pins in the video cable connector.</li> <li>• Ensure that the correct input source is selected in the Input Source menu.</li> <li>• Replace other identical signal cable (HDMI / DisplayPort) to take cross-test.</li> </ul>
No display after turning monitor ON (not boot, black screen & no power lights)	<ul style="list-style-type: none"> <li>• Verify that the power outlet is functioning properly using any other electrical equipment.</li> <li>• Make sure the power button on the front panel is normal for boot and pressed fully.</li> <li>• Check for bent or broken pins in the video cable connector.</li> </ul>
Poor Focus. Picture is fuzzy, blurry, or ghosting	<ul style="list-style-type: none"> <li>• Eliminate video extension cables.</li> <li>• Reset the monitor to factory settings.</li> <li>• Change the video resolution to the correct resolution and aspect ratio.</li> <li>• If the words are still blurry, please try enabling or disabling CLEAR TYPE function from windows</li> </ul>
Missing Pixels. LCD screen has spots	<ul style="list-style-type: none"> <li>• Cycle power On-Off.</li> <li>• Pixel that is permanently Off is a natural defect that can occur in LCD technology.</li> <li>• For more information on Dell Monitor Quality and Pixel Policy, see INNOCN Support site at: <a href="http://www.innocn.com">http://www.innocn.com</a></li> </ul>
Safety Related Issues (Visible signs of smoke or sparks)	<ul style="list-style-type: none"> <li>• Do not perform any troubleshooting steps.</li> <li>• Contact INNOCN immediately.</li> </ul>
Image is centered on screen, but does not fill entire viewing area	<ul style="list-style-type: none"> <li>• Check the Aspect Ratio setting in the Display menu OSD.</li> <li>• Check the resolution setting in your PC</li> <li>• Reset the monitor to factory settings.</li> </ul>
The screen appears yellow	<ul style="list-style-type: none"> <li>• Make sure the device was not set to "Care Eyes mode"</li> <li>• Check here: OSD→Picture Setting→Contextual mode→Care Eyes mode</li> </ul>
Control panel keys do not work	<ul style="list-style-type: none"> <li>• Press only one key at a time.</li> <li>• Restart the computer</li> <li>• Make sure to have a valid video signal going through the monitor before you can turn on the OSD</li> </ul>
I cannot adjust the brightness/contrast ratio through OSD	<ul style="list-style-type: none"> <li>• Make sure the "contextual mode" is OFF before setting brightness and contrast ratio.</li> <li>• Check here: OSD→Picture Setting→Contextual mode→off</li> </ul>
I cannot get higher refresh rate on my monitor	<ul style="list-style-type: none"> <li>• Make sure your video card supports that feature.</li> <li>• Also make sure you are using DisplayPort to connect from your computer to your monitor.</li> </ul>
After plugged in USB Type-C from computer to monitor, there is no video	<ul style="list-style-type: none"> <li>• Not every computer/phone's USB Type-C port will support video out signals. Please check your cable and your computer/phone to make sure those will support a video signal.our monitor.</li> </ul>
USB interface is not working	<ul style="list-style-type: none"> <li>• Check to see if you plugged a USB-B uplink cable(included in the package) from your computer to the monitor's USB-B port. Without an uplink cable to the computer, the USB ports on the back of the monitor will not work.</li> <li>• Check that your monitor is turned On.</li> <li>• Reconnect the uplink cable to your computer.</li> <li>• Reconnect the USB peripherals(downstream connector).</li> <li>• Switch Off and then turn On the monitor again.</li> <li>• Reboot the computer.</li> <li>• Some USB devices like external portable HDD require higher electric current; connect the device directly to the computer system.</li> </ul>

## Supported Resolution and Refresh Rate

HDMI1/HDMI2[1.4]
Detailed Timing
3440x1440@100Hz
3440x1440@60Hz
3440x1440@50Hz
2560x1440@120Hz
Established Timing
720x400@70Hz-IBM.VGA
640x480@60Hz-IBM.VGA
640x480@67Hz-VESA
640x480@72Hz-VESA
640x480@75Hz-VESA
800x600@56Hz-VESA
800x600@60Hz-VESA
800x600@72Hz-VESA
800x600pat75Hz-VESA
832x624@75Hz-Apple.MacII
1024x768@60Hz-VESA
1024x768@70Hz-VESA
1024x768@75Hz-VESA
1280x1024@75Hz-VESA
1152x870@75Hz-Apple.MacII
Standard Timing
1920x1080@60Hz-VESASTD
1680x1050@60Hz-VESASTD
1280x1024@60Hz-VESASTD
1152x864@75Hz-VESASTD
1280x720@60Hz-VESASTD
1280x960@60Hz-VESASTD
1600x900@60Hz-VESASTD
Video Timing
[1]640x480p@59.94Hz@4:3@1:1
[2]720x480p@59.94Hz/60Hz@4:3@8:9
[3]720x480p@59.94Hz/60Hz@16:9@32:27
[4]1280x720p@59.94Hz/60Hz@16:9@1:1
[16]1920x1080p@59.94Hz/60Hz@16:9@1:1
[17]720x576p@50Hz@4:3@16:15
[18]720x576p@50Hz@16:9@64:45
[19]1280x720p@50Hz@16:9@1:1
[31]1920x1080p@50Hz@16:9@1:1
[96]3840x2160p@50Hz@16:9@1:1
[97]3840x2160p@59.94Hz@60Hz@16:9@1:1

DP[1.4]
Detailed Timing
3440x1440@144Hz
3440x1440@120Hz
3440x1440@100Hz
3440x1440@60Hz
3440x1440@50Hz
2560x1440@60Hz
Established Timing
720x400@70Hz-IBM.VGA
640x480@60Hz-IBM.VGA
640x480@67Hz-VESA
640x480@72Hz-VESA
640x480@75Hz-VESA
800x600@56Hz-VESA
800x600@60Hz-VESA
800x600@72Hz-VESA
800x600pat75Hz-VESA
832x624@75Hz-Apple.MacII
1024x768@60Hz-VESA
1024x768@70Hz-VESA
1024x768@75Hz-VESA
1280x1024@75Hz-VESA
1152x870@75Hz-Apple.MacII
Standard Timing
1920x1080@60Hz-VESASTD
1680x1050@60Hz-VESASTD
1280x1024@60Hz-VESASTD
1152x864@75Hz-VESASTD
1280x720@60Hz-VESASTD
1280x960@60Hz-VESASTD
1600x900@60Hz-VESASTD
Video Timing
[1]640x480p@59.94Hz@4:3@1:1
[2]720x480p@59.94Hz/60Hz@4:3@8:9
[3]720x480p@59.94Hz/60Hz@16:9@32:27
[4]1280x720p@59.94Hz/60Hz@16:9@1:1
[16]1920x1080p@59.94Hz/60Hz@16:9@1:1
[17]720x576p@50Hz@4:3@16:15
[18]720x576p@50Hz@16:9@64:45
[19]1280x720p@50Hz@16:9@1:1
[31]1920x1080p@50Hz@16:9@1:1
[63]1920x1080p@119.88/120Hz@16:9@1:1
[96]3840x2160p@50Hz@16:9@1:1
[97]3840x2160p@59.94Hz@60Hz@16:9@1:1

Type-C
Detailed Timing
3440x1440pat60Hz
1920x1080pat60Hz
Established Timing
720x400@70Hz-IBM.VGA
640x480@60Hz-IBM.VGA
640x480@67Hz-VESA
640x480@72Hz-VESA
640x480@75Hz-VESA
800x600@56Hz-VESA
800x600@60Hz-VESA
800x600@72Hz-VESA
800x600pat75Hz-VESA
832x624@75Hz-Apple.MacII
1024x768@60Hz-VESA
1024x768@70Hz-VESA
1024x768@75Hz-VESA
1280x1024@75Hz-VESA
1152x870@75Hz-Apple.MacII
Standard Timing
1920x1080@60Hz-VESASTD
1680x1050@60Hz-VESASTD
1280x1024@60Hz-VESASTD
1152x864@75Hz-VESASTD
1280x720@60Hz-VESASTD
1280x960@60Hz-VESASTD
1600x900@60Hz-VESASTD
Video Timing
[1]640x480p@59.94Hz@4:3@1:1
[2]720x480p@59.94Hz/60Hz@4:3@8:9
[3]720x480p@59.94Hz/60Hz@16:9@32:27
[4]1280x720p@59.94Hz/60Hz@16:9@1:1
[16]1920x1080p@59.94Hz/60Hz@16:9@1:1
[17]720x576p@50Hz@4:3@16:15
[18]720x576p@50Hz@16:9@64:45
[19]1280x720p@50Hz@16:9@1:1
[31]1920x1080p@50Hz@16:9@1:1

## Warranty Information

### 1. What is covered in your warranty?

Item	Warranty term
Monitor	1 Years

### 2. Contact us

Service Email	service@innocn.com
Service Website	http://www.innocn.com

### 3.Members only

Signing up to become our members, to exchange new one without repair in one year.

Register website	<a href="https://www.innocn.com/user/register">https://www.innocn.com/user/register</a>
QR code	

### 4. This Warranty is not applicable:

- 1.The product is not purchased from an Authorized Innocn dealer.
- 2.The product is not used according to instructions given in the instruction manual.
- 3.Defects caused by improper use as determined by company personnel.
- 4.Modification or alteration of any nature is made in the electrical circuitry / or physical construction of the set.
- 5.Installation / repair work is carried out by persons / agency other than authorized by the company.
- 6.The original serial number is removed, obliterated or altered from the machine or cabinet.
- 7.Accidents, Acts of God, lightning, water, fire, public disturbances, improper ventilation, voltage fluctuations or any cause beyond the control of Innocn.

## German Rhine TÜV Low Blue Light Certification

Blue light may cause eye fatigue and discomfort. Joint Innovation now offers the screen that passes German Rhine TÜV Low Blue Light certification to ensure the comfort and health of users' eyes.

Please follow the instructions below operate the screen to reduce symptoms caused by prolonged exposure to blue light on the screen.



Low Blue Light  
(Software  
Solution)

www.tuv.com  
ID 0217008683

1. Place the screen 20-28 inches (50-70 cm) away from the eyes, with the center of the screen slightly below the line of sight.
2. When you need to use the screen for a long time, blinking consciously from time to time will help reduce eye fatigue.
3. Take a 20-minute break every 2 hours.
4. Take your eyes away from the screen when you rest and stare at distant objects for at least 20 seconds.
5. Stretch moderately during rest to relieve physical fatigue or pain.
6. After the factory setting, when the Low Blue Light function is set to 50, 75, 100, it conforms to TÜV Rheinland's low blue light certification

## Contact us

Thank you for choosing Innocn\*!

We hope the Innocn\* product you purchased will serve you well. To ensure safety and trouble-free operation of your device, please read the user guide carefully and keep it for future needs.

Please email us for customer service & technical support at [service@innocn.com](mailto:service@innocn.com).

We recommend you go online to our homepage for the most up-to-date guidance for your product, registering Innocn membership; referring to warranty information.

 <http://www.innocn.com>



## 目 录

---

注意事项	20
产品介绍	21
安装	22
调整显示	26
使用	27
OSD菜单	29
基本参数	32
常见故障排查	33
分辨率刷新率	34
保修说明	35
德国莱因 TÜV Low Blue Light (低蓝光) 认证	36
联系我们	36

**注意事项**

使用产品前请仔细阅读本说明书，并妥善保管

- 请勿靠近水源或潮湿的地方，如浴室、厨房、地下室、游泳池等。
- 确保设备安装放置平稳处，若掉落，可能产生人身伤害或设备损坏。
- 在阴凉、干燥、通风处存放、使用，请勿靠近辐射源和热源。
- 请勿覆盖、堵塞后壳上的通风孔，请勿置于床、沙发、毛毯或类似物体表面使用。
- 设备操作的电源电压范围标示于后壳标签上。若不能确认所供应的电压，可洽询经销商或当地的电力公司。
- 当设备长期不使用，请切断电源，防止在雷雨天受到电击以及异常电源电压的损伤。
- 请使用可靠接地插座，勿让插座过载，否则会引起火灾或电击。
- 请勿把异物放入机内，否则可能会引起短路而导致火灾或电击。
- 请勿自行拆卸，维修本产品，以免发生电击危险，若有故障，请直接与售后服务人员联系。
- 请勿过度拉扯、扭曲电源线。
- 屏幕表面附有一层偏光片（非保护膜），请勿撕除，否则会损坏产品且无法保修。

产品介绍

包装清单

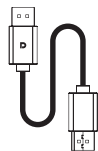
- 请检查所有物品是否包含在您的显示器包装中，如有丢失配件，请联系您的经销商。
- 配件的颜色和形状可能随型号的不同而有所变化，具体以您收到的实物为准。
- 根据所购产品的不同，提供的线材可能会有所不同，具体以收到的实际线材为准。



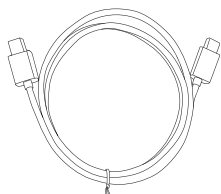
显示器主机



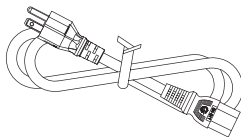
壁挂六角铁螺柱



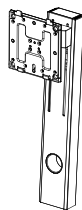
DP信号线



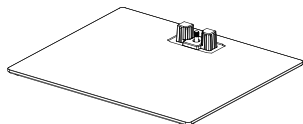
Type-C信号线



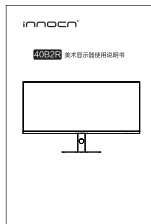
电源线



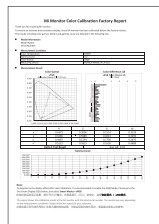
升降支架



底座



说明书

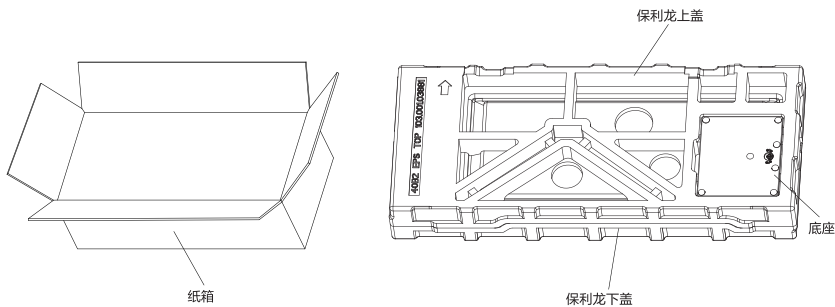


校色报告

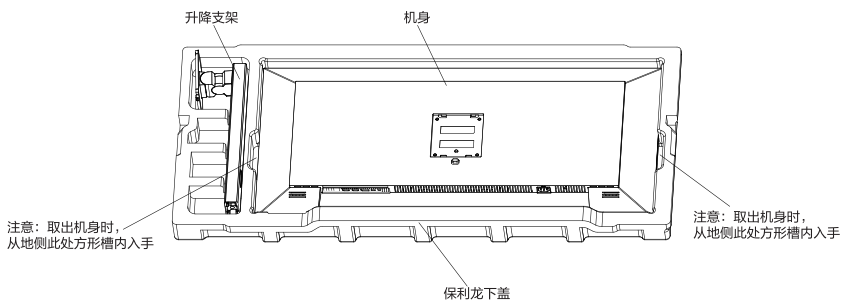
# 安装

## 底座安装

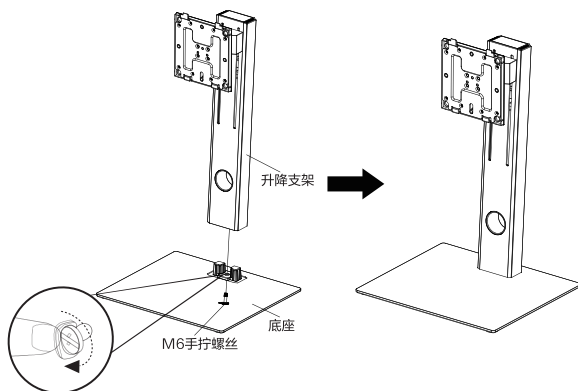
1. 打开纸箱包装，将保利龙上、下盖取出后平放于桌面上。



2. 拿开保利龙上盖，然后把机身从覆膜袋中取出后，重新放置于保利龙下盖腔体内。

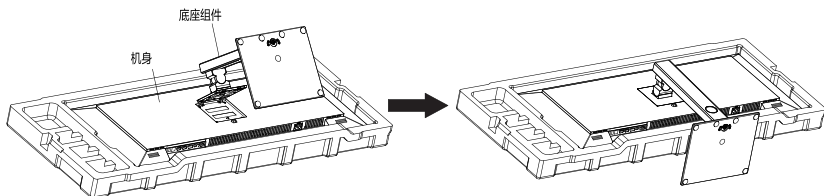


3. 取出支架和底座，用1颗M6手拧螺丝锁紧，按下图所示。

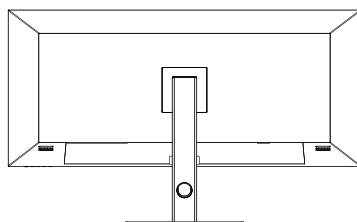




4. 如下图所示，把步骤3组装的底座组件放入后壳对应的沉槽内，轻压支架使转轴组件卡入锁扣内，然后手持支架中间位置，轻提机身两次不脱扣即可，确保卡扣能锁紧底座组件，拆卸时按相反的步骤执行。

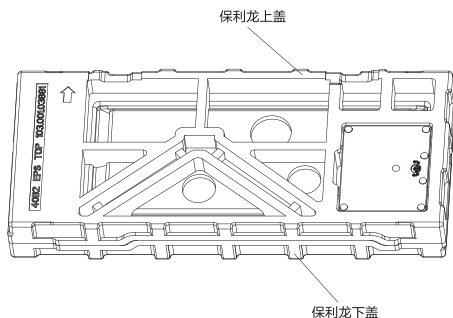


5. 用手抓住支架将机器立起即可（注意：立起机器过程中，请勿用手直接捏住屏幕，防止破屏）

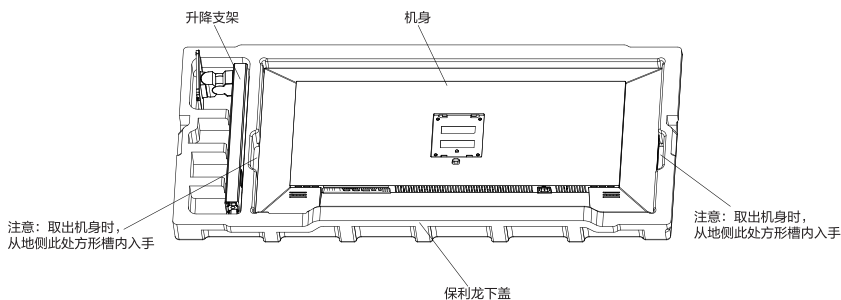


## 壁挂安装

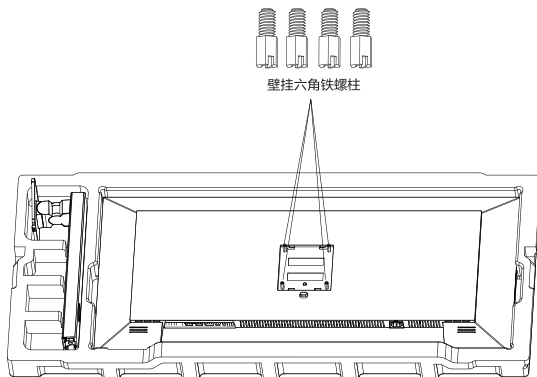
1. 打开包装，将保利龙整件取出，放置在水平桌面上



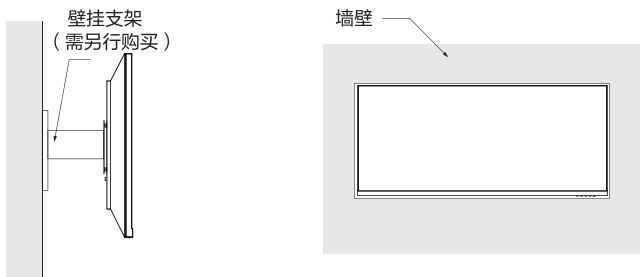
2. 拿开保利龙上盖，然后把机身从覆膜袋中取出后，重新放置于保利龙下盖腔体内。



3. 将上保利龙取下，取出机身袋后机身再次放入原保利龙下盖内

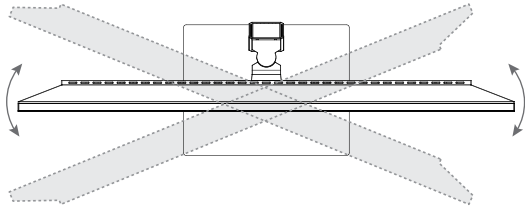


5. 挂锁机器过程中请勿用手直接捏屏幕，防止破屏。再参考壁挂支架（需另行购买）使用说明将壁挂支架安装到壁挂螺柱上。提示：本产品适配的壁挂支架的安装孔距离为100×100mm。



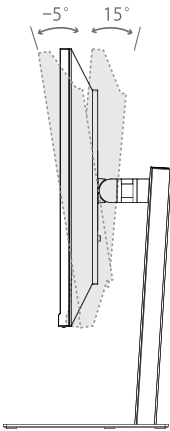
**!** 注意：为避免显示器在壁挂使用时掉落，请妥善安装并做好安全防护。请勿在壁挂支架上放置或悬挂任何物品，壁挂使用高度应在2米以内。

调整显示器



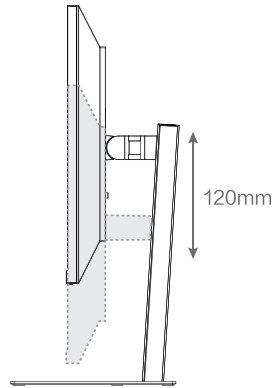
旋转角度

$-30.0^{\circ} (\pm 2.0^{\circ}) - +30^{\circ} (\pm 2.0^{\circ})$



倾斜角度

$-5.0^{\circ} (\pm 2.0^{\circ}) - +20^{\circ} (\pm 2.0^{\circ})$

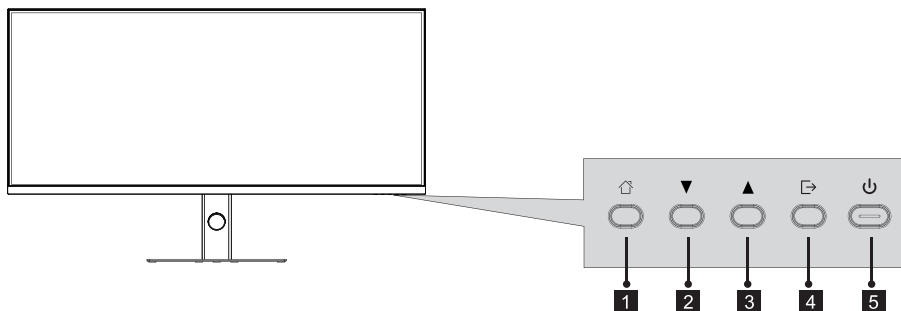


高度调整

0-120mm ( $\pm 5.0$ mm)

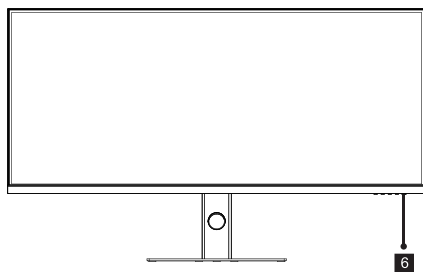
## 使用

## 按键说明



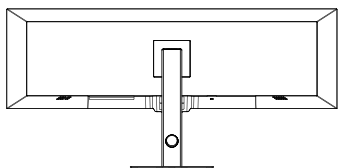
按键	功能
1	菜单选择键：进入下一级菜单 / 快捷进入主菜单
2	向下选择键：在菜单中向下移动 / 快捷调节亮度
3	向上选择键：在菜单中向上移动 / 快捷调节音量
4	退出/热键：返回上一级菜单 / 快捷切换端口输入信号
5	电源开关指示灯键：按下可打开/关闭显示器

## 指示灯说明



6. 指示灯：蓝色常亮表示电源已打开，并且显示器正常运行。常亮红灯表示为没有视频源，未检测到水平或垂直信号或电压低。请确保您的计算机已打开，并且所有视频电缆均已完全插入和/或连接。

## 线缆连接:



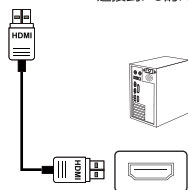
\* 显示器背面的底部接口配置根据产品不同而异。

\* 注意: 如果电源线或信号线损坏, 必须用专用软线或从其制造商或维修部买到的专用组件来更换。

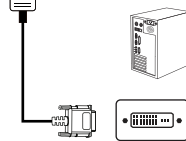
### HDMI接口



使用HDMI信号线, 将产品的HDMI IN接口连接到PC的HDMI OUT接口。



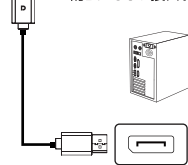
使用HDMI-DVI信号线, 将产品的HDMI IN接口连接到PC的DVI OUT接口。  
(一般PC不通过DVI输出音频信号传给显示器, 需要额外连接音箱装置播放PC声音。)



### DP接口



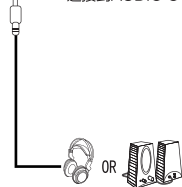
使用DP信号线, 将产品的DP IN接口连接到PC的DP OUT接口。



### AUDIO OUT



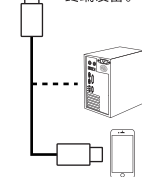
将耳机等音频输出设备连接到AUDIO OUT接口。



### Type-C接口



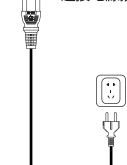
使用Type-C线可以连接到机器数据端口和外部终端设备。



### AC IN接口



请将电源线连接到产品显示器端的AC IN接口, 再将另一头连接电源插座。



## OSD菜单

首次开机时，需要设置显示器菜单的默认语言。按按钮(▲▼)，选择需要设置的语言，按确认键(⏏)确定。

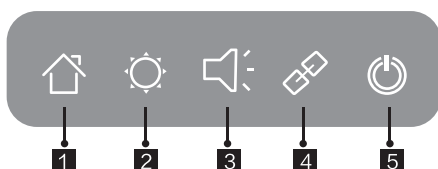


## 菜单说明

- 实际机台OSD菜单的颜色和形状可能与图中所示略有差异。
- OSD菜单规格可能会因功能改进而有所变化，恕不另行通知。

屏幕显示 (OSD) 菜单可用于调整显示器的设置，并在打开显示器并按⏏按钮后显示在屏幕上。

1. 按任意一个按钮 (⏏ ▼ ▲ ⏏) 以激活导航器屏幕。





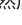





1	进入主菜单图标
2	调节亮度
3	调节音量
4	切换端口输入信号
5	电源开/关

2. 按  进入OSD屏幕。



3. 按  或  浏览功能。

- 选择所需的功能，然后按  键进入子菜单。
- 按  或  浏览子菜单，然后按  键确认选择所需的功能。
- 按  或  选择一个选项，然后按  确认设置并退出当前菜单。

4. 按  退出菜单界面

• 显示器的功能可能因型号而异，以实物为准。

游戏设置	PTS/PRG对战模式	关/开
	FPS竞技模式	关/开
	MOBA竞技模式	关/开
	Adaptive-Sync	关/开
	响应时间	关/正常/快/超快
	刷新率	关/开/位置
	游戏准星	关/准星1/准星2/准星3/准星4/准星5/准星6



- 显示器的功能可能因型号而异，以实物为准。

专业	标准模式	N/A
	sRGB模式	N/A
	Adobe模式	N/A
	均匀性补偿模式	N/A
	伽马	1.6/1.8/2.0/2.2/2.4/2.6/2.8/S曲线
	色温设置	自然/设计/暖色温/冷色温/用户色温1/用户色温2/用户色温3
	锐利度	0-5
	暗部平衡	0-100
	低蓝光	0-100
	色度	红/绿/蓝/青/品/黄
	色饱和度	红/绿/蓝/青/品/黄
动态亮度	关/标准/高级/精细	
画面设置	亮度	0-100
	对比度	0-100
	动态对比度	关/开
	情景模式	关/电影模式/阅读模式/夜晚模式/护眼模式
	HDR	关/HDR标准/HDR电影/HDR设计
	画面比例	宽屏/4:3/1:1/自动
PIP/PBP	PIP/PBP模式	关/画中画模式/PBP 1:1/PBP(手机1)/PBP(手机2)
	子信号源	Type-C/DP/HDMI1/HDMI2
	音频源	自动/Type-C/DP/HDMI1/HDMI2
	画中画位置	右上/左上/右下/左下
	画中画大小	小/中/大
画面互换	N/A	
菜单设置	语言	简体中文/English/한국어/Portugues do Brasilazil/ Deutsch/Nederland/ Suomi/ Français/Ελληνικά/Indonesia/Italiano/日本語/Malaysia/Polksie/Português/Русский/ Español/ไทย/Українська/Tiếng Việt/繁體中文/Türkçe
	菜单显示时间	0-100
	菜单水平位置	0-100
	菜单垂直位置	0-100
	菜单透明度	0-5
	快捷键设置1	亮度/对比度/声音/静音/暗部平衡/游戏准星/刷新率/情景模式/PIP/PBP模式/输入信号/动态亮度/HDR
	快捷键设置2	
快捷键设置3		
其他设置	输入信号	自动/Type-C/DP/HDMI1/HDMI2
	音量	0-100
	静音	关/开
	自动关机	关/开
	护眼提醒	关/开
	复位	否/是
	信息	输入源HDMI2/ 分辨率:3440x1440@50Hz/ 模式:标准模式/ HDR Ver:SDR/ SN:0000000000000

## 基本参数

产品名称	液晶显示器	
产品型号	40C1R	
屏幕尺寸	40英寸 (101cm)	
显示比例	21:9	
视角	178° (H) / 178° (V)	
像素间距	0.08975 (H) × 0.26925 (V) mm	
对比度	1200:1 (TYP)	
色彩数	16.7m	
分辨率	3440 × 1440	
最高刷新率	144Hz	
电源输入	100-240V~ 50/60Hz, 3.0A 不同的国家或地区的标准电压、电流有所不同, 请参阅产品背面的标签。	
产品尺寸 升降底座	不带底座	944.1x418.5x56.8mm /约8.78kg
	带底座	944.1x572.2x253.6mm /约12.56kg
倾斜角度	前倾-5° ± 2.0° , 后仰+15° ± 2.0°	
行程高度	120 ± 5mm	
旋转角度	-30° ± 2.0° /+30° ± 2.0°	
垂直角度	N/A	
环境条件	操作	温度: 0° C~ 40° C ( 32° F ~ 104° F ) 湿度: 10% ~ 90% RH (无结露)
	储存	温度: -20° ~ 60° ( -4° F ~ 140° F ) 湿度: 5% ~95% RH(无结露)



HDMI、HDMI高清晰度多媒体接口以及HDMI标志是HDMI Licensing Administrator, Inc.在美国和其他国家的商标或注册商标。

**FC** This device complies with Part 15 of the FCC Rules. Operation is subject to the following two conditions:  
(1) This device may not cause harmful interference, (2) This device must accept any interference received, including interference that may cause undesired operation.

## 常见故障排查

常见问题	可能的解决方案
电源指示灯不亮	<ul style="list-style-type: none"><li>· 是否连接电源线</li><li>· 是否开关电源</li></ul>
图像暗淡	<ul style="list-style-type: none"><li>· 调节亮度及对比度</li></ul>
图像跳动或出现波纹画面	<ul style="list-style-type: none"><li>· 外围可能有引起电子干扰的电器设备</li></ul>
电源指示灯亮，但显示器无图像显示	<ul style="list-style-type: none"><li>· 计算机电源是否已打开</li><li>· 计算机显卡是否已插好</li><li>· 显示器的信号线是否与计算机正确连接</li><li>· 检查显示器信号线插头并确认各引脚没有弯曲</li><li>· 通过按PC键盘上的Caps Lock键观察指示灯，确认计算机是否在操作</li></ul>
屏幕显示“超频”	<ul style="list-style-type: none"><li>· 您的计算机设置在不适当的显示模式，请重新设置为本指南中规格参数表所给出的显示模式</li></ul>
屏幕显示“无连接”	<ul style="list-style-type: none"><li>· 检查信号线是否正确连接，如果插头松动，请重新正确连接插头</li><li>· 检查信号线连接头的针脚是否损坏</li></ul>

# 分辨率刷新率

HDMI1/HDMI2[1,4]
Detailed Timing
3440x1440@100Hz
3440x1440@60Hz
3440x1440@50Hz
2560x1440@120Hz
Established Timing
720x400@70Hz-IBM.VGA
640x480@60Hz-IBM.VGA
640x480@67Hz-VESA
640x480@72Hz-VESA
640x480@75Hz-VESA
800x600@56Hz-VESA
800x600@60Hz-VESA
800x600@72Hz-VESA
800x600pat75Hz-VESA
832x624@75Hz-Apple.MacII
1024x768@60Hz-VESA
1024x768@70Hz-VESA
1024x768@75Hz-VESA
1280x1024@75Hz-VESA
1152x870@75Hz-Apple.MacII
Standard Timing
1920x1080@60Hz-VESASTD
1680x1050@60Hz-VESASTD
1280x1024@60Hz-VESASTD
1152x864@75Hz-VESASTD
1280x720@60Hz-VESASTD
1280x960@60Hz-VESASTD
1600x900@60Hz-VESASTD
Video Timing
[1]640x480p@59.94Hz@4:3@1:1
[2]720x480p@59.94Hz/60Hz@4:3@8:9
[3]720x480p@59.94Hz/60Hz@16:9@32:27
[4]1280x720p@59.94Hz/60Hz@16:9@1:1
[16]1920x1080p@59.94Hz/60Hz@16:9@1:1
[17]720x576p@50Hz@4:3@16:15
[18]720x576p@50Hz@16:9@64:45
[19]1280x720p@50Hz@16:9@1:1
[31]1920x1080p@50Hz@16:9@1:1
[96]3840x2160p@50Hz@16:9@1:1
[97]3840x2160p@59.94Hz@60Hz@16:9@1:1

DP[1,4]
Detailed Timing
3440x1440@144Hz
3440x1440@120Hz
3440x1440@100Hz
3440x1440@60Hz
3440x1440@50Hz
2560x1440@60Hz
Established Timing
720x400@70Hz-IBM.VGA
640x480@60Hz-IBM.VGA
640x480@67Hz-VESA
640x480@72Hz-VESA
640x480@75Hz-VESA
800x600@56Hz-VESA
800x600@60Hz-VESA
800x600@72Hz-VESA
800x600@75Hz-VESA
800x600@56Hz-VESA
800x600@60Hz-VESA
800x600@72Hz-VESA
800x600pat75Hz-VESA
832x624@75Hz-Apple.MacII
1024x768@60Hz-VESA
1024x768@70Hz-VESA
1024x768@75Hz-VESA
1280x1024@75Hz-VESA
1152x870@75Hz-Apple.MacII
Standard Timing
1920x1080@60Hz-VESASTD
1680x1050@60Hz-VESASTD
1280x1024@60Hz-VESASTD
1152x864@75Hz-VESASTD
1280x720@60Hz-VESASTD
1280x960@60Hz-VESASTD
1600x900@60Hz-VESASTD
Video Timing
[1]640x480p@59.94Hz@4:3@1:1
[2]720x480p@59.94Hz/60Hz@4:3@8:9
[3]720x480p@59.94Hz/60Hz@16:9@32:27
[4]1280x720p@59.94Hz/60Hz@16:9@1:1
[16]1920x1080p@59.94Hz/60Hz@16:9@1:1
[17]720x576p@50Hz@4:3@16:15
[18]720x576p@50Hz@16:9@64:45
[19]1280x720p@50Hz@16:9@1:1
[31]1920x1080p@50Hz@16:9@1:1
[63]1920x1080p@119.88/120Hz@16:9@1:1
[96]3840x2160p@50Hz@16:9@1:1
[97]3840x2160p@59.94Hz@60Hz@16:9@1:1

Type-C
Detailed Timing
3440x1440pat60Hz
1920x1080pat60Hz
Established Timing
720x400@70Hz-IBM.VGA
640x480@60Hz-IBM.VGA
640x480@67Hz-VESA
640x480@72Hz-VESA
640x480@75Hz-VESA
800x600@56Hz-VESA
800x600@60Hz-VESA
800x600@72Hz-VESA
800x600pat75Hz-VESA
832x624@75Hz-Apple.MacII
1024x768@60Hz-VESA
1024x768@70Hz-VESA
1024x768@75Hz-VESA
1280x1024@75Hz-VESA
1152x870@75Hz-Apple.MacII
Standard Timing
1920x1080@60Hz-VESASTD
1680x1050@60Hz-VESASTD
1280x1024@60Hz-VESASTD
1152x864@75Hz-VESASTD
1280x720@60Hz-VESASTD
1280x960@60Hz-VESASTD
1600x900@60Hz-VESASTD
Video Timing
[1]640x480p@59.94Hz@4:3@1:1
[2]720x480p@59.94Hz/60Hz@4:3@8:9
[3]720x480p@59.94Hz/60Hz@16:9@32:27
[4]1280x720p@59.94Hz/60Hz@16:9@1:1
[16]1920x1080p@59.94Hz/60Hz@16:9@1:1
[17]720x576p@50Hz@4:3@16:15
[18]720x576p@50Hz@16:9@64:45
[19]1280x720p@50Hz@16:9@1:1
[31]1920x1080p@50Hz@16:9@1:1

## 保修说明

一、请妥善保管本三包服务单，本三包服务单和购机发票一起作为保修凭证，在包修期内享受免费保修。

二、“三包”有效凭证

1、在“三包”有效期内产品出现故障，消费者需凭购机发票和此三包服务单享受免费维修服务。

享受免费维修服务时，所修理产品机身号码同三包服务单上的产品机身号码必须一致。如无购机发票的，则以产品机身号码的生产出厂日期作为消费者产品“三包”有效期的起始时间。如两者全无的消费者，则不能享受免费维修服务，我公司将实行收费服务。

2、安装、调试记录单不能单独作为“三包”凭证，必须同时与有效发票一起方可作为“三包”有效期凭证。

三、根据《部分商品修理更换退货责任规定》，属下列情况之一者，不实行“三包”但是可以实行收费修理：

1、超出本公司产品包修期范围内的；

2、无法同时出示购机发票和填写包修凭证，或包修凭证上与维修产品的型号、机身编号不符或涂改；

3、在联合创新显示器指定维修服务点以外场所进行修理或拆动、改装等引起的故障和损坏；

4、未按使用说明书的要求使用、维护、保管、异物进入而造成的故障和损坏；

5、使用非本公司所制造的产品配件而引起的产品故障；

6、消费者购买后，由于跌落、移动、运输等非产品质量原因引起的故障和损坏；

7、油烟、灰尘、受潮、直射阳光等恶劣条件下使用产生的故障；

8、由于雷击、火灾、水灾、地震、风灾等自然灾害及异常电压、公害、化学物质的侵蚀而造成的故障和损坏。

四、超过“三包”有效期或“三包”责任范围的，按照规定的收费标准实施收费服务。

五、本机所享受的保修服务只适用在中国大陆地区使用的用户，不适用于港、澳、台地区使用及其他国家用户。

## 德国莱因 TÜV Low Blue Light (低蓝光) 认证

蓝光可能会导致眼睛疲劳和不适。联合创新现在提供获德国莱因TÜV低蓝光认证的屏幕，以确保用户眼睛的舒适度和健康。请按照以下说明操作屏幕，以减少因长时间接触屏幕蓝光而导致的症状。

- 1.将屏幕放置在距离眼睛20 - 28英寸(50 - 70公分)的位置，屏幕中心点略低于视线。
- 2.需长时间使用屏幕时，不时有意识地眨眼将有助于减轻眼睛疲劳。
- 3.每 2 小时休息 20 分钟。
- 4.休息时将视线从屏幕移开，凝视远处的物体至少 20 秒钟。
- 5.休息时适度伸展以缓解身体疲劳或疼痛。
- 6.在出厂设置后，将Low Blue Light 功能设为50,75,100时符合TUV莱茵的低蓝光认证



Low Blue Light  
(Software  
Solution)

www.tuv.com  
ID 0217008683

## 联系我们

为了继续为我们的客户服务并提供最好的产品，我们的产品信息包括我们的用户手册在内，可能会不时收到更新。请检查我们的网站或公众号以获取最新的用户手册和产品资料。



微信公众号

说明书请扫描二维码关注公众号获取

**Inhalt**

---

Hinweise	38
Produkteinführung	39
Installation	40
Monitor anpassen	44
Nutzungsanweisungen	45
OSD-Menü	47
Technische Daten	50
Allgemeine Problemlösung	51
Auflösung Bildfrequenz	52
Garantiebeschreibung	53
Zertifizierung TÜV Rheinland Low Blue Light	54
Kontaktaufnahme	54

## Hinweise

Lesen Sie vor Verwendung dieses Produkts sorgfältig die Bedienungsanleitung und bewahren Sie sie gut auf.

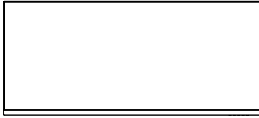
- Halten Sie den Monitor fern von Feuchtigkeit und feuchten Orten wie Badezimmer, Küche, Keller und Schwimmbekken.
- Legen Sie den Monitor auf eine flache Unterlage. Falls der Monitor herunterfällt, könnte er Schäden oder Verletzungen verursachen.
- Der Monitor an einem kühlen, trockenen und gut belüfteten Ort aufbewahren und nutzen und von Emissions- und Wärmequellen fernhalten.
- Lüftungsöffnungen auf der Rückseite nicht abdecken oder blockieren und nicht auf Oberflächen wie einem Bett, Sofa oder Tischtuch verwenden.
- Der Bereich der Versorgungsspannung des Monitors ist auf das Etikett auf der Rückseite gedruckt. Wenn die Spannungsversorgung nicht ermittelt werden kann, wenden Sie sich bitte an den Händler oder den örtlichen Stromversorger.
- Falls der Monitor längere Zeit nicht benutzt wird, trennen Sie bitte die Stromversorgung, damit es nicht an regnerischen Tagen zu Stromschlägen und aufgrund ungewöhnlicher Spannungsversorgung zu Schäden kommt.
- Bitte verwenden Sie eine zuverlässig geerdete Steckdose. Überlasten Sie die Steckdose nicht, da dies zu Bränden oder elektrischen Schlägen führen kann.
- Stecken Sie keine Fremdkörper in den Monitor, da diese einen Kurzschluss verursachen können, was wiederum zu Bränden oder elektrischen Schlägen führt.
- Demontieren oder reparieren Sie dieses Produkt nicht eigenständig. Andernfalls besteht Stromschlaggefahr. Wenden Sie sich bei einer Störung direkt an den Kundendienst.
- Verdrehen Sie das Netzkabel nicht, ziehen Sie nicht gewaltvoll daran.
- Auf der Oberfläche des Bildschirms befindet sich eine Polarisatorschicht (keine Schutzfolie). Ziehen Sie sie nicht ab. Andernfalls könnte das Produkt beschädigt werden und die Garantie erlischt.



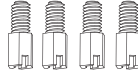
# Produkteinführung

## Lieferumfang

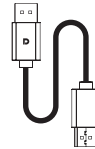
- Bitte prüfen Sie den Lieferumfang des Monitors auf Vollständigkeit. Falls etwas fehlen sollte, wenden Sie sich an Ihren Händler.
- Farbe und Form der Teile können je nach Modell variieren. Abbildungen in dieser Bedienungsanleitung dienen nur der Veranschaulichung.
- Mitgelieferte Kabel können je nach erworbenem Produkt variieren. Abbildungen in dieser Bedienungsanleitung dienen nur der Veranschaulichung.



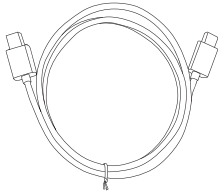
Bildschirm



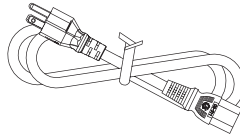
Sechseckige Eisen montieren



DP-Signal



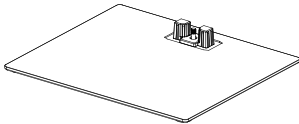
Type-C-Kabel



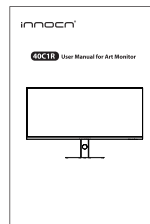
Stromkabel



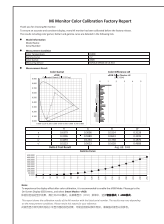
Ständer



Basis



Bedienungsanleitung

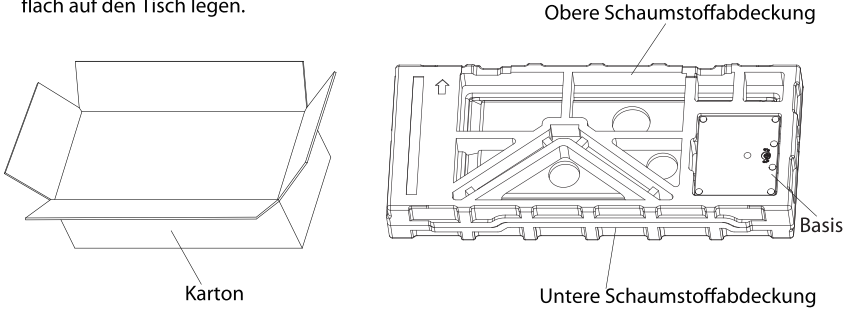


Farbkorrekturbericht

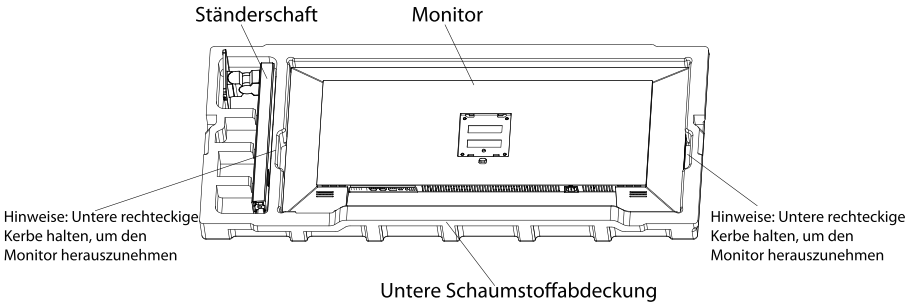
# Installation

## Basis installieren

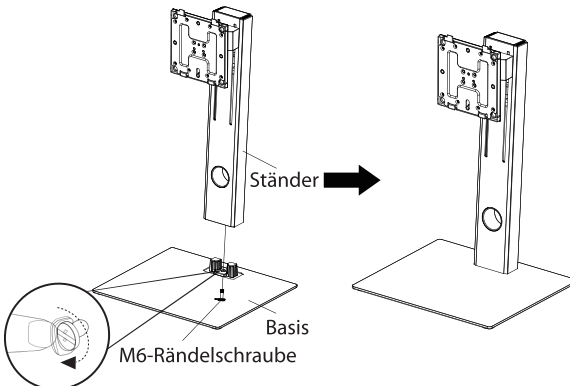
1. Die Kartonverpackung öffnen, die obere und untere Schaumstoffabdeckung herausnehmen und flach auf den Tisch legen.



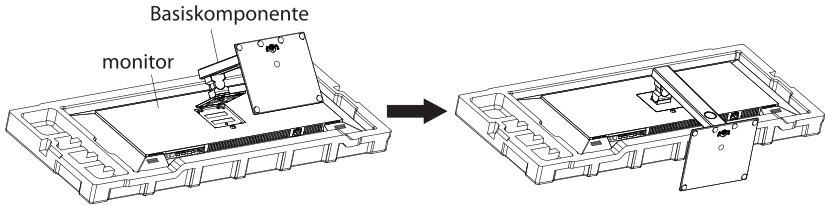
2. Die obere Schaumstoffabdeckung entfernen und zur Seite legen, den Monitor aus dem Folienbeutel herausnehmen und in die Kammer der unteren Schaumstoffabdeckung legen.



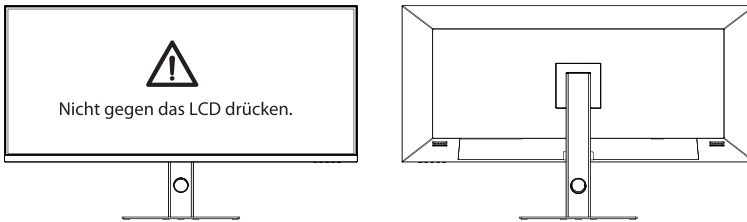
3. Ständer und Basis herausnehmen und mit einer M6-Rändelschraube fixieren (siehe Abbildung unten).



4. Wie nachstehend abgebildet, die in Schritt 3 montierte Basiskomponente in den Schlitz des hinteren Gehäuses stecken, dann den Ständer leicht drücken, damit der Drehschaft einrastet. Die Mitte des Ständers mit einer Hand halten und den Monitor zweimal leicht anheben, um sicherzustellen, dass sich der Monitor nicht löst. Der Clip kann die Basiskomponente sicher fixieren; dieser Schritte während der Demontage in umgekehrter Reihenfolge befolgen.



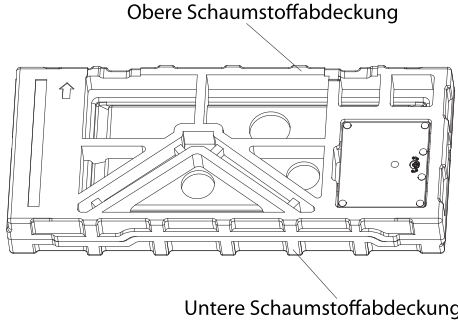
5. Ständer einfach von Hand halten und den Monitor aufrichten.



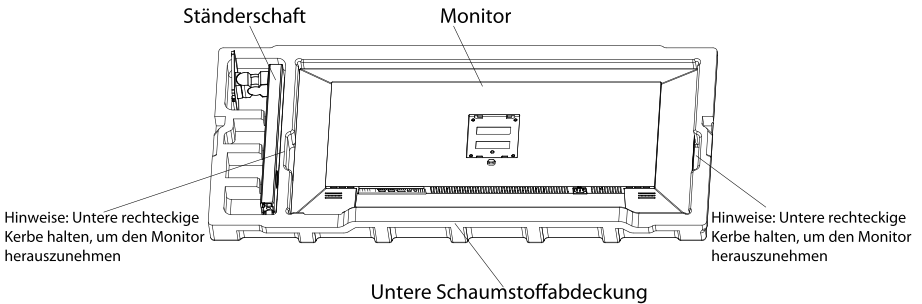
- !** Hinweis: Monitor während der Aufstellung nicht aus den Schaumstoffteilen nehmen und den Flüssigkristallbildschirm zur Vermeidung von Schäden nicht zusammendrücken.

## Installation der Halterung

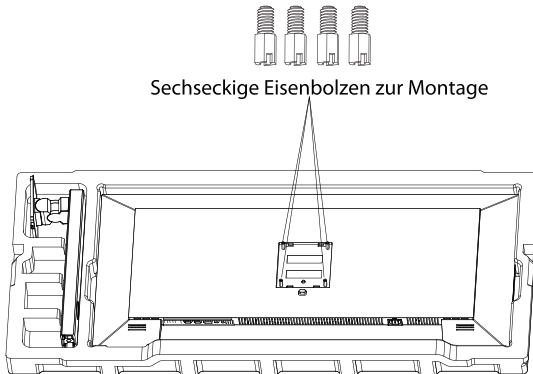
1. Verpackung öffnen und Schaumstoffteile vollständig herausnehmen und auf einen flachen Tisch legen.



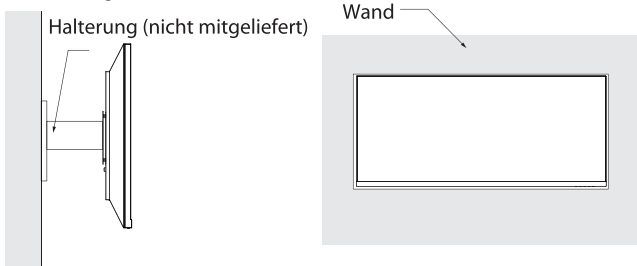
2. Die obere Schaumstoffabdeckung entfernen und zur Seite legen, den Monitor aus dem Folienbeutel herausnehmen und in die Kammer der unteren Schaumstoffabdeckung legen.




3. Die obere Schaumstoffabdeckung entfernen, den Beutel des Monitors herausnehmen und den Monitor wieder in die untere Schaumstoffabdeckung legen

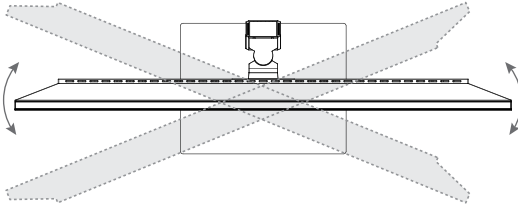


4. Während des Verschließens des Monitors nicht mit den Händen gegen den Bildschirm drücken, da andernfalls der Bildschirm beschädigt wird. Halterung am Montagebolzen installieren, dazu die Bedienungsanleitung beachten (separat erhältlich). Tipps: Der Abstand des Montagelochs der Halterung für das Produkt beträgt 100 x 100 mm.

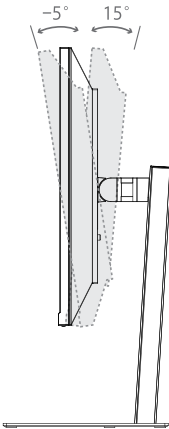


-  Hinweise: Verhindern Sie, dass der Monitor an der Halterung herunterfällt, indem Sie ihn sicher installieren und gut schützen.

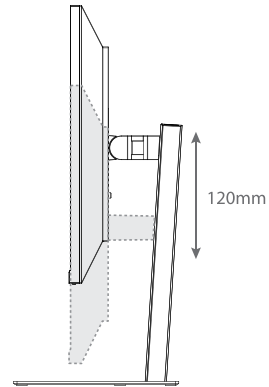
# Monitor anpassen



Drehwinkel  
 $-30.0^\circ(\pm 2.0^\circ) - +30^\circ(\pm 2.0^\circ)$



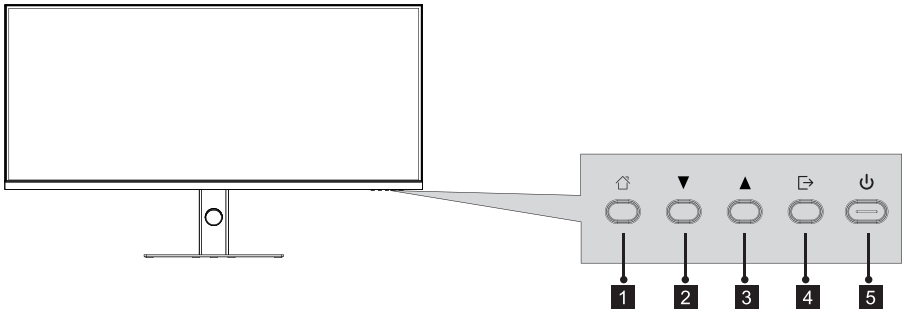
Neigungswinkel  
 $-5.0^\circ(\pm 2.0^\circ) - +15^\circ(\pm 2.0^\circ)$



Höhenverstellung  
0- 120mm ( $\pm 5.0$ mm)

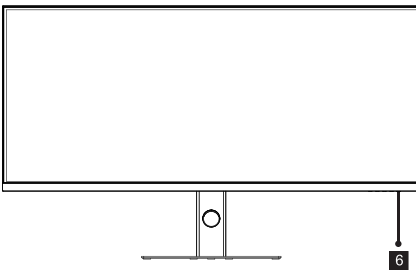
## Nutzungsanweisungen

### Beschreibung der Tasten



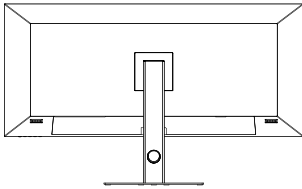
Taste	Funktion
1	Menütaste Zum Aufrufen von Untermenüs/zum schnellen Aufrufen des Hauptmenüs drücken
2	Abwärtstaste: Zur Abwärtsnavigation im Menü/zur schnellen Anpassung der Helligkeit drücken
3	Aufwärtstaste: Zur Aufwärtsnavigation im Menü/zur schnellen Anpassung der Lautstärke drücken
4	Beenden/Schnellstaste: Zum Zurückkehren zum vorherigen Menü/zum schnellen Umschalten des Eingangssignals drücken
5	Ein-/Aus-Taste: Zum Ein-/Ausschalten des Monitors drücken

### Erläuterung der Anzeigen



6. Anzeigeleuchte: Ein konstantes blaues Licht zeigt an, dass der Monitor eingeschaltet ist und normal funktioniert. Ein blinkendes rotes Licht zeigt an, dass keine Videoquelle vorhanden ist, kein horizontales oder vertikales Signal erkannt wird oder eine niedrige Spannung vorhanden ist. Bitte stellen Sie sicher, dass Ihr Computer eingeschaltet ist und alle Videokabel richtig eingesteckt und/oder angeschlossen sind.

## Kabel anschließen



- \* Die untere Schnittstellenkonfiguration an der Rückseite des Monitors variiert je nach Produkt.
- \* Hinweis: Wenn das Netz- oder Signalkabel beschädigt ist, müssen Sie es durch spezielle weiche Kabel oder spezielle vom Hersteller oder der Wartungsabteilung erworbene Komponenten ersetzen.

### HDMI-Schnittstelle

Verbinden Sie den HDMI-Eingang des Produktes über das HDMI-Kabel mit dem HDMI-Ausgang eines PCs.

Verbinden Sie den HDMI-Eingang des Produktes über das HDMI-DVI-Kabel mit dem DVI-Ausgang eines PCs. (Im Allgemeinen übertragen PCs über den DVI-Ausgang keine Videosignale an den Monitor und Sie müssen zusätzlich einen Lautsprecher zur Wiedergabe des PC-Audio anschließen.)

### DP-Schnittstelle

Verbinden Sie den DP-Eingang des Produktes über das DP-Kabel mit dem DP-Ausgang eines PCs.

### Audioausgang

Verbinden Sie Audioausgabegeräte, wie Kopfhörer, mit dem Audioausgang.

### Type-C-Schnittstelle

Ein Type-C-Kabel dient der Verbindung mit Datenanschlüssen von Geräten und externen Terminals.

### AC IN Schnittstelle

Netz kabelstecker am entsprechenden Anschluss des Monitors anschließen und das andere Ende mit einer geerdeten Steckdose verbinden.



## OSD-Menü

Beim ersten Hochfahren müssen Sie die Standardsprache des Monitormenüs festlegen. Wählen Sie mit der ( ▲ ▼ ) die gewünschte Sprache, und drücken Sie zum Bestätigen die OK-Taste ( ↵ ).

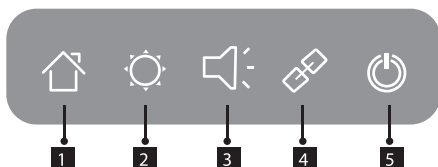


### Menübeschreibung

- Farbe und Form des OSD-Menüs des tatsächlichen Computers können geringfügig von der Darstellung abweichen.
- Spezifikationen des OSD-Menüs können zur Veränderung der Funktionen ohne Vorankündigung geändert werden.

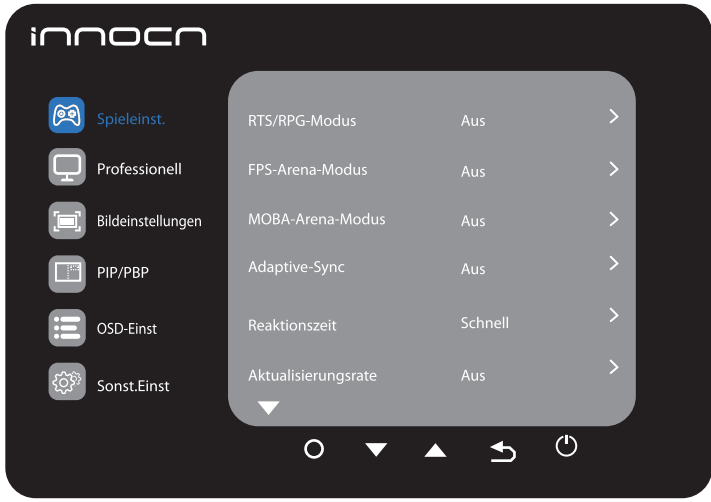
Das Bildschirmmenü kann zur Anpassung der Einstellungen des Monitors genutzt werden und wird nach Einschalten und Drücken der Taste ↵ angezeigt werden.


1. Drücken Sie zum Aktivieren des Browser-Bildschirms eine der Tasten ( ↵ ▼ ▲ ↵ ⏻ ).



1	Hauptmenü aufrufen
2	Helligkeit anpassen
3	Lautstärke anpassen
4	Anschluss-Eingangssignal umschalten
5	Ein-/Ausschalten

2. Drücken Sie zum Aufrufen des OSD-Bildschirms .



3. Drücken Sie zum Blättern durch die Funktionen ▼ oder ▲.
- Wählen Sie die gewünschte Funktion und drücken Sie zum Aufrufen des Untermenüs ○.
  - Blättern Sie mit ▼ oder ▲ durch Untermenüs. Drücken Sie zur Auswahl und Bestätigung der ausgewählten Funktion ○.
  - Wählen Sie mit ▼ oder ▲ eine Option. Drücken Sie zum Bestätigen der Einstellungen und zum Verlassen des aktuellen Menüs ○.
4. Drücken Sie zum Verlassen des Menübildschirms .

• Die Funktionen des Monitors können je nach Modell variieren, und die Funktionen in dieser Anleitung dienen nur als Referenz.

Spieleinst.	RTS/RPG-Modus	Aus/Ein
	FPS-Arena-Modus	Aus/Ein
	MOBA-Arena-Modus	Aus/Ein
	Adaptive-Sync	Aus/Ein
	Reaktionszeit	Aus/Normal/Schnell/Ultraschnell
	Aktualisierungsrate	Aus/Ein/Pos.
	Fadenkreuz	Aus/Fadenkreuz 1/Fadenkreuz 2/Fadenkreuz 3/Fadenkreuz 4/Fadenkreuz 5/Fadenkreuz 6

- Die Funktionen des Monitors können je nach Modell variieren, und die Funktionen in dieser Anleitung dienen nur als Referenz.

Professionell	Standardmodus	/
	SRGB-Modus	/
	Adobe-Modus	/
	Uniformity-Modus	/
	Gamma	1,6/1,8/2,0/2,2/2,4/2,6/2,8/S.Kurve
	C.T.-Einstellungen	Natürlich/Design/Warm/Kühl/Nutzer C.T1/Nutzer C.T2/Nutzer C.T3
	Schärfe	0 bis 5
	Schattenabgl.	0 bis 100
	Schw.Blaulicht	0 bis 100
	Farbton	R/G/B/C/M/Y
	Sättigung	R/G/B/C/M/Y
Dyn.Helligk.	Aus/Standard/Experte/Ausgestaltung	
Bildeinstellungen	Helligkeit	0 bis 100
	Kontrast	0 bis 100
	DCR	Aus/Ein
	Kontext.Modell	Aus/Filmmodus/Lesemodus/Nachtmodus/Augenschutzmodus.
	HDR	Aus/HDR-Standard/HDR-Film/HDR-Design
Seitenverh.	Breitbild/4:3/1:1/Auto	
PIP/PBP	PIP/PBP-Modus	Aus/PIP-Modus/PBP-2-Fens1:1/PBP( Phone1)/PBP( Phone2)
	Subsignalquelle	Type-C/DP/HDMI1/HDMI2
	Audioquelle	Auto/Type-C/DP/HDMI1/HDMI2
	PIP-Position	ObRechts/Oblinks/UnRechts/Unlinks
	PIP-Größe	Klein/Mittel/Groß
Fenstertausch	/	
OSD-Einst.	Sprache	简体中文/English/한국어/العربية/Portugues do Brasil/Deutsch/Nederland/ Suomi/ Français/Ελληνικά/Indonesia/Italiano/ 日本語/Malaysia/Polkskie/Portugués/Русский/ Español/ไทย/українська/Tiếng Việt/繁体中文/Türkçe
	OSD-Zeitüber.	0 bis 60
	OSD-H-Position	0 bis 100
	OSD-V-Position	0 bis 100
	OSD-Transpar.	0 bis 5
	Hotkey1-Einst. Hotkey2-Einst. Hotkey3-Einst.	Helligkeit/Kontrast/Lautstärke/Stumm/Schattenabgl./Fadenkreuz/Aktualisierungsrate/ Kontext.Modell/PIP/PBP-Modus-/Eingangssignal/Dyn.Helligk./HDR
Sonst.Einst.	Eingangssignal	Auto/Type-C/DP/HDMI1/HDMI2
	Lautstärke	0 bis 100
	Stumm	Aus/Ein
	Auto.Einsch.	Aus/Ein
	Eyeshield-Hinw	Aus/Ein
	Schwerkr.Sens.	Aus/Ein
	Rücksetzen	Nein/Ja
Information	Eingangsqu: HDMI2/ Auflösung: 3440 x 1440 bei 50 Hz/ Modus: Standardmodus/ HDR-Ver.: SDR/ SN: 0000000000000	

## Technische Daten

Produktbezeichnung		Flüssigkristallanzeige
Produktmodell		40C1R
Bildschirmgröße		40 Zoll/101cm
Bildformat		21:9
Betrachtungswinkel		178° (H)/178° (V)
Pixelabstand		0,08975(H) × 0,26925 (V) mm
Kontrastverhältnis		1200:1 (typisch)
Farbe		1,07 Mrd.
Auflösung		3440x1440
Bildwiederholffrequenz		144Hz
Stromeingang		100-240V~ 50/60Hz, 3.0A Standardspannung und Stromversorgung können je nach Land variieren; bitte beachten Sie das Etikett auf der Rückseite des Produktes.
Produktabmessungen	Ohne Basis	944,1 × 418,5 × 56,8 mm, ca. 8.78 kg
	Mit Basis	944,1 × 572.2 × 253,6 mm, ca. 12,65 kg
Neigungswinkel		Neigung nach vorne -5° ± 2,0° ; Neigung nach hinten+15° ± 2,0°
Höhenbereich		120 ± 5 mm
Drehwinkel		-30° (± 2,0°)/+ 30°(± 2,0°)
Vertikaler Winkel		-90.0°(±2.0°)- +90°(±2.0°)
Umgebungsbedingungen	Aktion	Temperatur: 0 bis 40 °C Feuchtigkeit: 10 bis 90 % relative Luftfeuchte (nicht kondensierend)
	Lagerung	Temperatur: -20 bis 60 °C Feuchtigkeit: 5 bis 95 % relative Luftfeuchte (nicht kondensierend)



Die Begriffe HDMI und HDMI High-Definition Multimedia Interface sowie das HDMI-Logo sind Marken oder eingetragene Marken von HDMI Licensing Administrator, Inc. in den Vereinigten Staaten und anderen Ländern.



Dieses Gerät erfüllt Teil 15 der FCC-Bestimmungen. Der Betrieb unterliegt den folgenden beiden Voraussetzungen: (1) Dieses Gerät darf keine Funkstörungen verursachen, und (2) dieses Gerät muss jegliche empfangenen Funkstörungen hinnehmen, einschließlich Störungen, die zu unbeabsichtigtem Betrieb führen können.

## Allgemeine Problemlösung

Die folgende Tabelle enthält allgemeine Informationen über allgemeine Monitorprobleme und mögliche Abhilfemaßnahmen.

Mögliche Abhilfemaßnahmen	Possible Solutions
Keine Anzeige nach Einschalten des Monitors (Bildschirm ist schwarz, aber die Betriebsanzeigen leuchten)	<ul style="list-style-type: none"> <li>• Stellen Sie sicher, dass das Videokabel richtig an Monitor und Computer angeschlossen ist.</li> <li>• Prüfen Sie, ob das Betriebssystem Tiefschlafmodus, Ruhezustand oder Energiesparmodus aufgerufen hat. Zum Aufwecken eine Taste (Enter-Taste / Ein-/Austaste) drücken oder die Maus bewegen.</li> <li>• Prüfen Sie den Videokabelanschluss auf verbogene oder gebrochene Kontakte.</li> <li>• Vergewissern Sie sich, dass die richtige Eingangsquelle im Menü Quelle ausgewählt ist.</li> <li>• Verwenden Sie ein anderes identisches Signalkabel (HDMI / DisplayPort) zur Prüfung auf Kabelschäden.</li> </ul>
Keine Anzeige nach Einschalten des Monitors (fährt nicht hoch, schwarzer Bildschirm, keine Betriebsanzeigen)	<ul style="list-style-type: none"> <li>• Stellen Sie über ein anderes elektrisches Gerät sicher, dass die Steckdose richtig funktioniert.</li> <li>• Achten Sie darauf, dass die Ein-/Austaste an der Frontblende bei vollständiger Betätigung einen normalen Start ausführt.</li> <li>• Prüfen Sie den Videokabelanschluss auf verbogene oder gebrochene Kontakte.</li> </ul>
Schlechter Fokus Bild ist verschwommen, unscharf oder es erscheinen Geisterbilder	<ul style="list-style-type: none"> <li>• Verwenden Sie keine Videoverlängerungskabel.</li> <li>• Setzen Sie den Monitor auf die Werkseinstellungen zurück.</li> <li>• Ändern Sie die Videoauflösung auf die richtige Auflösung und das richtige Seitenverhältnis.</li> <li>• Wenn die Wörter immer noch unscharf erscheinen, besuchen Sie die Funktion KLARER TYP von Windows zu de-/aktivieren</li> </ul>
Fehlende Pixel: LCD-Bildschirm weist Punkte auf	<ul style="list-style-type: none"> <li>• Schalten Sie das Gerät ein und wieder aus.</li> <li>• Ein Pixel, der dauerhaft ausgeschaltet ist, ist ein natürlicher Defekt, der bei LCD-Technologie auftreten kann.</li> <li>• Weitere Informationen über die Qualitätsrichtlinie für den Dell-Monitor und die Pixel finden Sie auf der INNOCN-Support-Site unter: <a href="http://www.innocn.com">http://www.innocn.com</a></li> </ul>
Sicherheitsprobleme (sichtbare Anzeichen von Rauch oder Funken)	<ul style="list-style-type: none"> <li>• Führen Sie keine Schritte zur Problemlösung durch.</li> <li>• Wenden Sie sich umgehend an INNOCN.</li> </ul>
Bild ist am Bildschirm zentriert, füllt aber nicht den gesamten Anzeigebereich	<ul style="list-style-type: none"> <li>• Prüfen Sie die Längen-/Seitenverhältnis-Einstellung im OSD-Menü Display.</li> <li>• Prüfen Sie die Auflösungseinstellung an Ihrem PC.</li> <li>• Setzen Sie den Monitor auf die Werkseinstellungen zurück.</li> </ul>
Der Bildschirm erscheint gelblich	<ul style="list-style-type: none"> <li>• Stellen Sie sicher, dass das Gerät nicht auf „Augenschutz-Modus“ eingestellt ist</li> <li>• Hier prüfen: OSD → Bildeinstellungen → Kontextmodus → Augenschutz-Modus</li> </ul>
Tasten am Bedienfeld funktionieren nicht	<ul style="list-style-type: none"> <li>• Drücken Sie immer nur eine Taste auf einmal.</li> <li>• Starten Sie den Computer neu.</li> <li>• Achten Sie darauf, dass ein gültiges Videosignal am Monitor anliegen muss, bevor Sie das OSD einschalten können.</li> </ul>
Ich kann Helligkeit/ Kontrastverhältnis nicht über das OSD anpassen	<ul style="list-style-type: none"> <li>• Stellen Sie sicher, dass der „Kontextmodus“ ausgeschaltet ist, bevor Sie Helligkeit und Kontrastverhältnis einstellen.</li> <li>• Hier prüfen: OSD → Bildeinstellung → Kontextmodus → Aus</li> </ul>
Ich kann keine höhere Bildfrequenz an meinem Monitor einstellen	<ul style="list-style-type: none"> <li>• Stellen Sie sicher, dass Ihre Grafikkarte diese Funktion unterstützt.</li> <li>• Achten Sie zudem darauf, über DisplayPort eine Verbindung von Ihrem Computer zu Ihrem Monitor herzustellen.</li> </ul>
Nach Einstecken des USB-Type-C-Steckers vom Computer am Monitor wird kein Video ausgegeben	<ul style="list-style-type: none"> <li>• Videosignalausgabe wird nicht von jedem USB-Type-C-Anschluss eines Computers/Telefons unterstützt. Bitte prüfen Sie Ihr Kabel und Ihren Computer/Ihr Telefon auf Unterstützung eines Videosignals.</li> </ul>
USB-Schnittstelle funktioniert nicht	<ul style="list-style-type: none"> <li>• Prüfen Sie, ob ein USB-B-Uplink-Kabel (im Lieferumfang enthalten) zwischen Ihrem Computer und dem USB-B-Port des Monitors angeschlossen ist. Ohne Anschluss eines Uplink-Kabels an den Computer funktionieren die USB-Anschlüsse auf der Rückseite des Monitors nicht.</li> <li>• Vergewissern Sie sich, dass Ihr Monitor eingeschaltet ist.</li> <li>• Schließen Sie das Uplink-Kabel erneut an Ihren Computer an.</li> <li>• Schließen Sie die USB-Peripherie erneut an (Downstream-Anschluss).</li> <li>• Schalten Sie den Monitor aus und wieder ein.</li> <li>• Starten Sie den Computer neu.</li> <li>• Einige USB-Geräte, wie eine externe transportable Festplatte, erfordern höhere Stromstärke; schließen Sie das Gerät direkt an das Computersystem an.</li> </ul>

# Auflösung Bildfrequenz

## HDMI1/HDMI2[1..4]

### Detailliertes Timing

3440x1440bei100Hz  
3440x1440bei60Hz  
3440x1440bei50Hz

### Etabliertes Timing

720x400 bei 70Hz-IBM,VGA  
640x480 bei 60Hz-IBM,VGA  
640x480 bei 67Hz-VESA  
640x480 bei 72Hz-VESA  
640x480 bei 75Hz-VESA  
800x600 bei 56Hz-VESA  
800x600 bei 60Hz-VESA  
800x600 bei 72Hz-VESA  
800x600 bei 75Hz-VESA  
832x624 bei 75Hz-Apple,MacII  
1024x768 bei 60Hz-VESA  
1024x768 bei 70Hz-VESA  
1024x768 bei 75Hz-VESA  
1280x1024 bei 75Hz-VESA  
1152x870 bei 75Hz-Apple,MacII

### Standard-Timing

1920x1080 bei 60Hz-VESA STD  
1680x1050 bei 60Hz-VESA STD  
1280x1024 bei 60Hz-VESA STD  
1152x864 bei 75Hz-VESA STD  
1280x720 bei 60Hz-VESA STD  
1280x960 bei 60Hz-VESA STD  
1600x900 bei 60Hz-VESA STD

### Video-Timing

[1]1640x480p bei 59.94Hz bei 4:3 bei 1:1  
[2]720x480p bei 59.94Hz/60Hz bei 4:3 bei 8:9  
[3]720x480p bei 59.94Hz/60Hz bei 16:9 bei 32:27  
[4]1280x720p bei 59.94Hz/60Hz bei 16:9 bei 1:1  
[16]1920x1080p bei 59.94Hz/60Hz bei 16:9 bei 1:1  
[17]720x576p bei 50Hz bei 4:3 bei 16:15  
[18]720x576p bei 50Hz bei 16:9 bei 64:45  
[19]1280x720p bei 50Hz bei 16:9 bei 1:1  
[31]1920x1080p bei 50Hz bei 16:9 bei 1:1  
[96]3840x2160p bei 50Hz bei 16:9 bei 1:1  
[97]3840x2160p bei 59.94Hz bei 60Hz bei 16:9 bei 1:1

## DPI[1..4]

### Detailliertes Timing

3440x1440 bei 144Hz  
3440x1440 bei 120Hz  
3440x1440 bei 100Hz  
3440x1440 bei 60Hz  
3440x1440 bei 50Hz  
2560x1440 bei 60Hz

### Etabliertes Timing

720x400 bei 70Hz-IBM,VGA  
640x480 bei 60Hz-IBM,VGA  
640x480 bei 67Hz-VESA  
640x480 bei 72Hz-VESA  
640x480 bei 75Hz-VESA  
800x600 bei 56Hz-VESA  
800x600 bei 60Hz-VESA  
800x600 bei 72Hz-VESA  
800x600 bei 75Hz-VESA  
832x624 bei 75Hz-Apple,MacII  
1024x768 bei 60Hz-VESA  
1024x768 bei 70Hz-VESA  
1024x768 bei 75Hz-VESA  
1280x1024 bei 75Hz-VESA  
1152x870 bei 75Hz-Apple,MacII

### Standard-Timing

1920x1080 bei 60Hz-VESA STD  
1680x1050 bei 60Hz-VESA STD  
1280x1024 bei 60Hz-VESA STD  
1152x864 bei 75Hz-VESA STD  
1280x720 bei 60Hz-VESA STD  
1280x960 bei 60Hz-VESA STD  
1600x900 bei 60Hz-VESA STD

### Video-Timing

[1]1640x480p bei 59.94Hz bei 4:3 bei 1:1  
[2]720x480p bei 59.94Hz/60Hz bei 4:3 bei 8:9  
[3]720x480p bei 59.94Hz/60Hz bei 16:9 bei 32:27  
[4]1280x720p bei 59.94Hz/60Hz bei 16:9 bei 1:1  
[16]1920x1080p bei 59.94Hz/60Hz bei 16:9 bei 1:1  
[17]720x576p bei 50Hz bei 4:3 bei 16:15  
[18]720x576p bei 50Hz bei 16:9 bei 64:45  
[19]1280x720p bei 50Hz bei 16:9 bei 1:1  
[31]1920x1080p bei 50Hz bei 16:9 bei 1:1  
[63]1920x1080p bei 119.88/120Hz bei 16:9 bei 1:1  
[96]3840x2160p bei 50Hz bei 16:9 bei 1:1  
[97]3840x2160p bei 59.94Hz/ bei 60Hz bei 16:9 bei 1:1

## Type-C

### Detailliertes Timing

3440x1440 bei 60Hz  
1920x1080 bei 60Hz

### Etabliertes Timing

720x400 bei 70Hz-IBM,VGA  
640x480 bei 60Hz-IBM,VGA  
640x480 bei 67Hz-VESA  
640x480 bei 72Hz-VESA  
640x480 bei 75Hz-VESA  
800x600 bei 56Hz-VESA  
800x600 bei 60Hz-VESA  
800x600 bei 72Hz-VESA  
800x600 bei 75Hz-VESA  
832x624 bei 75Hz-Apple,MacII  
1024x768 bei 60Hz-VESA  
1024x768 bei 70Hz-VESA  
1024x768 bei 75Hz-VESA  
1280x1024 bei 75Hz-VESA  
1152x870 bei 75Hz-Apple,MacII

### Standard-Timing

1920x1080 bei 60Hz-VESA STD  
1680x1050 bei 60Hz-VESA STD  
1280x1024 bei 60Hz-VESA STD  
1152x864 bei 75Hz-VESA STD  
1280x720 bei 60Hz-VESA STD  
1280x960 bei 60Hz-VESA STD  
1600x900 bei 60Hz-VESA STD

### Video-Timing

[1]1640x480p bei 59.94Hz bei 4:3 bei 1:1  
[2]720x480p bei 59.94Hz/60Hz bei 4:3 bei 8:9  
[3]720x480p bei 59.94Hz/60Hz bei 16:9 bei 32:27  
[4]1280x720p bei 59.94Hz/60Hz bei 16:9 bei 1:1  
[16]1920x1080p bei 59.94Hz/60Hz bei 16:9 bei 1:1  
[17]720x576p bei 50Hz bei 4:3 bei 16:15  
[18]720x576p bei 50Hz bei 16:9 bei 64:45  
[19]1280x720p bei 50Hz bei 16:9 bei 1:1  
[31]1920x1080p bei 50Hz bei 16:9 bei 1:1

## Garantiebeschreibung

### 1. Was wird durch Ihre Garantie abgedeckt?

Element	Garantiedauer
Monitor	1 Jahre

### 2. Kontakt:

Service-E-Mail	service@innocn.com
Service-Website	<a href="http://www.innocn.com">http://www.innocn.com</a>

### 3. Nur Mitglieder

Durch Registrierung als Mitglied sichern Sie sich den Tausch gegen ein neues Gerät ohne Reparatur innerhalb eines Jahres.

Registrieren-Website	<a href="https://www.innocn.com/user/register">https://www.innocn.com/user/register</a>
QR-Code	

### 4. Diese Garantie gilt in folgenden Fällen nicht:

1. Das Produkt wurde nicht von einem autorisierten Innocn-Händler erworben.
2. Das Produkt wurde nicht in Übereinstimmung mit der Bedienungsanleitung verwendet.
3. Defekte durch unsachgemäße Verwendung, wie vom Personal des Unternehmens ermittelt.
4. Modifikationen oder Änderungen jeglicher Natur am elektrischen Stromkreis oder an der physischen Konstruktion des Sets.
5. Installation / Reparaturarbeiten, die nicht von vom Unternehmen autorisierten Personen durchgeführt wurden.
6. Die ursprüngliche Seriennummer am Gerät oder Gehäuse wurde entfernt, unleserlich gemacht oder verändert.
7. Unfälle, höhere Gewalt, Blitzschlag, Flut, Feuer, öffentliche Unruhen, unsachgemäße Belüftung, Spannungsschwankungen oder andere Ursachen außerhalb der Kontrolle von Innocn.

## Zertifizierung TÜV Rheinland Low Blue Light

Blaues Licht kann die Augen ermüden und zu anderen Augenbeschwerden führen. Joint Innovation bietet nun einen Bildschirm, der die Zertifizierung TÜV Rheinland Low Blue Light zur Gewährleistung des Komforts und der Gesundheit der Augen von Nutzern besteht. Bitte befolgen Sie die nachstehenden Anweisungen zur Reduzierung der Symptome, die durch lange Aussetzung von blauem Licht am Bildschirm auftreten.



Low Blue Light  
(Software  
Solution)

www.tuv.com  
ID 0217008683

1. Stellen Sie den Bildschirm 50 bis 70 cm von den Augen entfernt auf, wobei sich die Mitte des Bildschirms leicht unterhalb der Sichtlinie befindet.
2. Wenn Sie den Bildschirm lange Zeit benutzen müssen, blinzeln Sie von Zeit zu Zeit bewusst. Dadurch reduzieren Sie die Ermüdung der Augen.
3. Machen Sie alle 2 Stunden eine 20-minütige Pause.
4. Richten Sie Ihre Augen während der Pause vom Bildschirm weg und fokussieren Sie mindestens 20 Sekunden lang einen entfernten Gegenstand.
5. Strecken Sie sich während der Pause zur Linderung von körperlicher Ermüdung und Schmerzen.
6. Schalten Sie nach Änderung der Werkseinstellung (Pro-Modus ist Nutzer) Geringes Blaulicht entsprechend der Low-Blue-Light-Zertifizierung von TÜV Rheinland ein.

## Kontaktaufnahme

Vielen Dank, dass Sie sich für Innocn® entschieden haben!

Wir hoffen, dass Ihnen das Innocn®-Produkt gute Dienste leisten wird. Bitte lesen Sie zur Gewährleistung des sicheren und problemlosen Betriebs Ihres Gerätes sorgfältig die Bedienungsanleitung und bewahren Sie sie zum künftigen Nachschlagen auf.

Bei Fragen und Problemen können Sie unserem Kundendienst und technischem Support eine E-Mail senden: [service@innocn.com](mailto:service@innocn.com).

Auf unserer Website finden Sie aktuellste Anweisungen zu Ihrem Produkt, können sich als Innocn-Mitglied registrieren und die Garantieinformationen einsehen.

🏠 <http://www.innocn.com>







innocen®

物料号码	108.007.17611		
厂内型号	40B2R	厂外型号	40C1R
物料名称	说明书	品 牌	INNOCN
协力厂商		日 期	20220208
规 格	140x210mm		
要 求	封面封底157G哑粉纸内页105克哑粉纸 胶装		
版 本	V01	设 计	蒋武波
确 认		核 准	