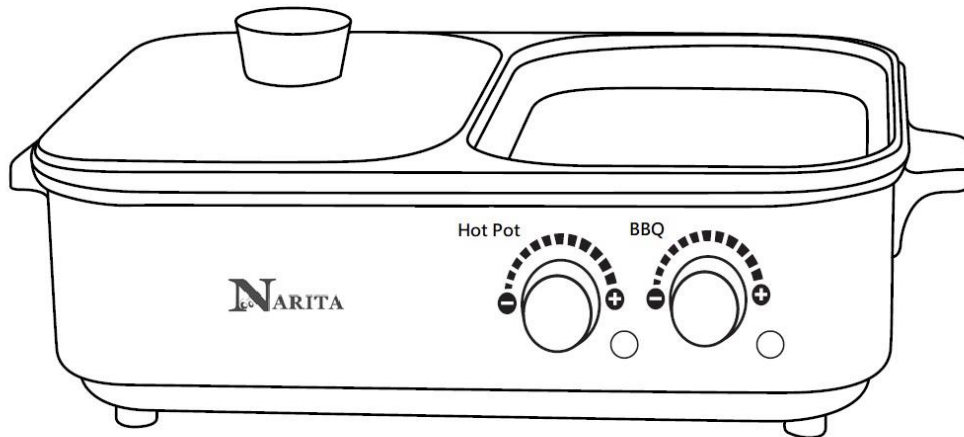




# Instruction Manual



## 2-in-1 Hot Pot & Grill

**NEC-2535**

**Please read this manual thoroughly before operating this unit.**

**This unit must only be serviced by the authorized center.**

# IMPORTANT SAFEGUARDS

## SAFETY PRECAUTIONS:

**Warning: A risk of fire and electrical shock exists in all electrical appliances and may cause personal injury or death. Please follow all safety instructions. When using electrical appliances, basic safety precautions should always be followed, including the following:**

1. Read all instructions.
2. Do not touch hot surfaces. Use handles or knobs.
3. To protect against electrical hazards, do not immerse cord, plugs, or the appliance in water or other liquids.
4. Close supervision is necessary when any appliance is used by or near children.
5. Unplug from outlet when not in use and before cleaning. Allow to cool before putting on or taking off parts, and before cleaning the appliance.
6. Do not operate any appliance with a damaged cord or plug or after the appliance malfunctions or has been damaged in any manner. Return appliance to Narita USA for examination, repair or adjustment. See Warranty.
7. The use of accessories or attachments not recommended by Narita USA may cause hazards.
8. Do not use outdoors.
9. Do not let cord hang over edge of table or counter, or touch hot surfaces.
10. Do not place on or near a hot gas or electric burner, or in a heated oven.
11. Extreme caution must be used when moving an appliance containing hot liquids.
12. Always attach plug to appliance first, then plug cord into the wall outlet. To disconnect, turn all controls to "OFF", then remove plug from wall outlet.
13. CAUTION: This appliance generates heat and escaping steam during use. Proper precautions must be taken to prevent the risk of burns, fires or other damages to persons or property.
14. Do not leave unit unattended while in use.
15. This appliance is for Household Use Only. Do not use appliance for other than intended use.
16. Do not place the grill pan or hot pot on other heat sources (e.g. cooking stove). It may become deformed.
17. Do not block steam vent holes.
18. During or immediately after cooking, the area near the Steam Vent Hole is kept at high temperature. To avoid burns, do not touch this area.
19. To reduce the risk of electric shock, cook only in the removable container.
20. Please use individual outlet.

**SAVE THESE INSTRUCTIONS / HOUSEHOLD USE ONLY**

# BEFORE FIRST USE

Before using for the first time, it is recommended to clean the interior of the grill and hot pot thoroughly. Please follow the procedures below before using the grill pan and hot pot:

1. Read all instructions and important safeguards.
2. Remove all packing materials and make sure that the product has been received in good condition.
3. Take care to keep the electrical components on the exterior of the grill and hot pot dry. Wipe and clean the interior of the grill and hot pot with a damp cloth.
4. Be cautious not to get any electrical components wet.
5. With a damp cloth, gently wipe off the exterior of the grill and hot pot. Do not wipe off electrical components as this may cause damage to the unit.
6. Dry all parts completely.
7. Do not immerse in water or other liquids.

# HOW TO CLEAN

1. Always allow your appliance to cool completely before cleaning.
2. Never immerse your appliance completely in water or liquids. Keep the electrical element connection away from liquids. Wash hotpot and grill pan with hot soapy water.
3. Remove stubborn stains with plastic scouring pad and mild dish washing liquid. DO NOT USE STEEL WOOL SCOURING PAD.
4. Do not put the hot pot or grill pan in an automatic dishwasher as it may warp.
5. Rinse any remaining soapy water from the grill and hot pot.
6. Dry with a drying towel.
7. To avoid scratching the non-stick surface, do not stack objects on grill.
8. Store your appliance in its original box or a dry cupboard.

★ **When rinsing the hot pot or grill pan under a faucet, hold the pot or pan at a 45° angle as to prevent water from entering the units.**

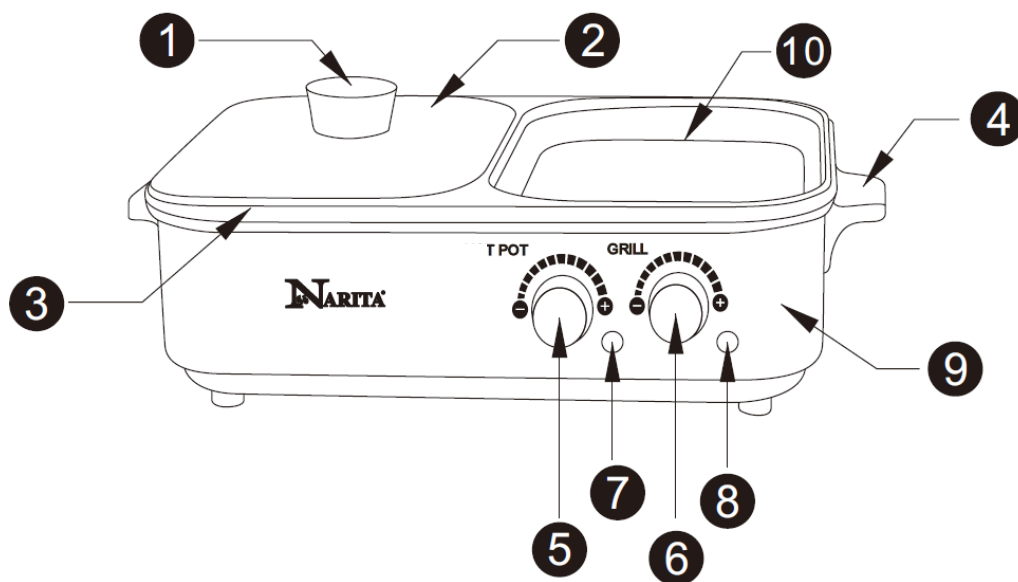
## BRIEF INTRODUCTIONS:

Thank you for purchasing the Narita 2-in-1 Hot Pot & Grill. Please follow these simple tips to get the maximum performance and satisfaction from this appliance. Use according to our instructions and it will give you years of trouble-free enjoyment.

# SPECIFICATION

MODEL	RATED VOLTAGE	RATED FREQUENCY	POWER CONSUMPTION
NEC-2535B NEC-2535R	120V	60Hz	1200W (Hot Pot 800W) (Grill Pan 400W)

# PARTS IDENTIFICATION



- |                           |                           |               |
|---------------------------|---------------------------|---------------|
| ① Lid Handle              | ② Glass Lid               | ③ Hot Pot Pan |
| ④ Base Handle             | ⑤ Hot Pot Knob            | ⑥ Grill Knob  |
| ⑦ Hot Pot Indicator Light | ⑧ Hot Pot Indicator Light |               |
| ⑨ Housing                 | ⑩ Grill Pan               |               |

# HOW TO USE

1. Always place the appliance on a flat, clean and non-slippery surface before operating.
2. Check whether the base of the hotpot and grill pan is intact before turning on the power.
3. Adjust the left knob to the “—” position, and then insert the power supply.
4. This grill pan is made of non-stick coating. Lightly lubricate the non-stick coating with a small amount of oil.
5. Use only nylon, plastic or wooden utensils with care to avoid scratching the non-stick surface. Never cut food on the grill pan.
6. Rotate the knob and the light will illuminate letting you know it is heating up. Rotate the knob to the desired temperature range during cooking.
7. When the product is heated to a certain temperature during use, the indicator light on the thermostat will automatically turn off. If the temperature is lower than the set temperature, it will automatically light up and heat. The automatic temperature control design can protect the grill pan.
8. During use, please try not to move the electric hot pot or grill pan. When you need to move, please hold the handles at both ends and do not touch the edge of the hot pot or grill pan to avoid accidental burns.
9. Use medium to low heat for the best cooking results; very high temperatures can cause discoloration and shorten the life span of the non-stick surface. If higher temperatures are necessary, preheat on medium for a few minutes.
10. After use, turn the knob left to “—”, unplug the power plug from outlet.

## WARNING

- This product is compatible with 120V/60Hz.
- Do not disassemble the product for any issues or problems. Please send to a certified Narita USA technician for diagnosis and repairs.
- Do not operate if power cord is damaged, send directly to a certified Narita USA technician.
- Operate on a flat surface only, away from flammable materials like curtains.

## LIMITED WARRANTY

This unit is warranted against defective materials or workmanship for one year from the date of purchase (warranty is only valid with a dated proof of purchase). The warranty is valid for any manufacturing defects only. This warranty covers operational defects incurred in normal use and does not apply in the case of damage, abuse, mishandling, accident, or failure to follow operation instructions. During the one year warranty period, a product with a defect will be either repaired or replaced with a reconditioned comparable model (at our option). Any return of defective merchandise to the manufacturer must be processed accordingly by contacting customer service first to obtain the Return Merchandise Authorization Number and **freight prepaid with proof of purchase**. (Please pack your product well; we will not be responsible for damages incurred as a result of improper packing.) We will not accept any returns of merchandise without an applicable RMA#.