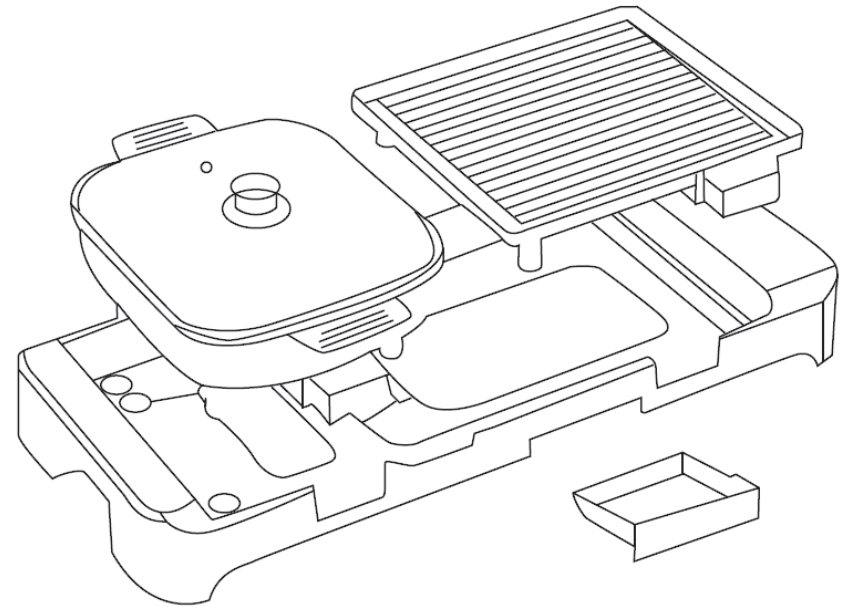
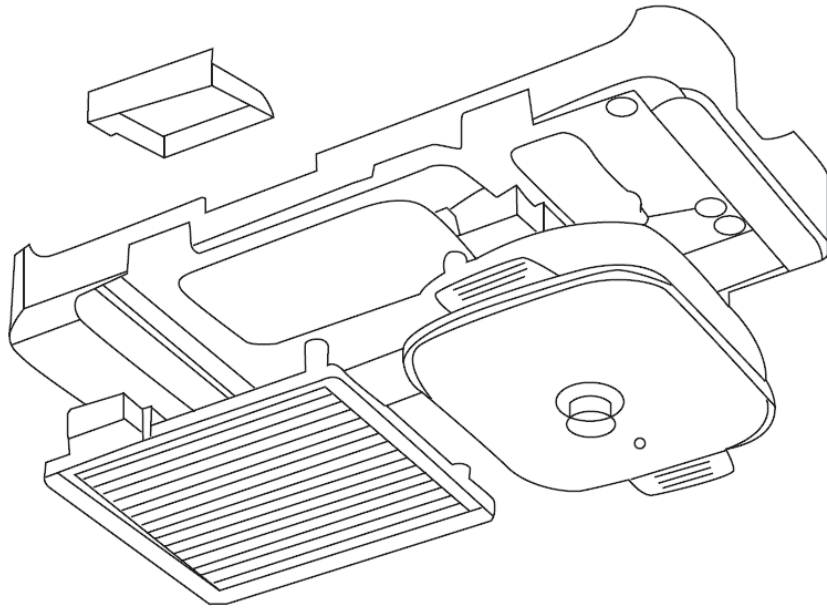


NEC-1012

火烤兩用鍋

**NARITA**<sup>®</sup>

# Instruction Manual



使用說明書

**NARITA**<sup>®</sup>

**2-in-1 Hot Pot & Grill**

**NEC-1012**

Please read this manual thoroughly before operating this unit.

This unit must only be serviced by the authorized center.

# IMPORTANT SAFEGUARDS

**Caution: A short power supply cord is provided to reduce the risk of personal injury resulting from becoming entangled in or tripping over a longer cord. Extension cords are available from local hardware stores and may be used if care is exercised in their use. If an extension cord is required, special care and caution are necessary.**

**If the electric circuit is overloaded with other appliances, your 2-in-1 Hot Pot & Grill may not function properly. It should be operated on a separate electrical circuit from other appliances.**

**BECAUSE THIS COOKER HAS 2 TEMPERATURE CONTROLLERS. THE GRILL PAN IS OPERATING AT 1000W AND HOT POT IS 1200W. PLEASE OPERATE ON DIFFERENT ELECTRICAL OUTLETS TO AVOID OVERLOAD.**

## SAFETY PRECAUTIONS:

**Warning: A risk of fire and electrical shock exists in all electrical appliances and may cause personal injury or death. Please follow all safety instructions. When using electrical appliances, basic safety precautions should always be followed, including the following:**

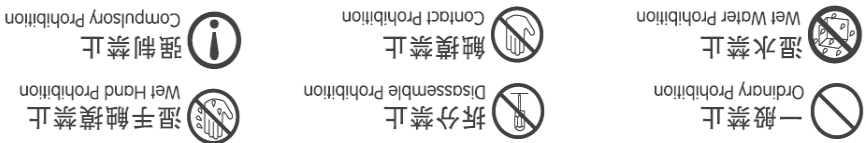
1. Read all instructions.
2. Do not touch hot surfaces. Use handles or knobs.
3. To protect against electrical hazards, do not immerse cord, plugs, or the appliance in water or other liquids.
4. Close supervision is necessary when any appliance is used by or near children.
5. Unplug from outlet when not in use and before cleaning. Allow to cool before putting on or taking off parts, and before cleaning the appliance.
6. Do not operate any appliance with a damaged cord or plug or after the appliance malfunctions or has been damaged in any manner. Return appliance to Narita USA for examination, repair or adjustment. See Warranty.
7. The use of accessories or attachments not recommended by Narita USA may cause hazards.
8. Do not use outdoors.
9. Do not let cord hang over edge of table or counter, or touch hot surfaces.
10. Do not place on or near a hot gas or electric burner, or in a heated oven.
11. Extreme caution must be used when moving an appliance containing hot liquids.
12. Always attach plug to appliance first, then plug cord into the wall outlet. To disconnect, turn all controls to "OFF", then remove plug from wall outlet.

1. 勿進行改造，非專業維修人員禁止拆卸和修理，否則易發生火災、觸電事故
2. 請將本產品至於兒童或無行為能力的人接觸範圍以外，兒童及無行為能力的人在監護人監督下使用本產品
3. 請勿將烤盤與火鍋浸入水中或其他液體中，也不要用潮濕的手接觸機器，否則易發生漏電事故

**警告: 未按使用說明書操作可能有危險**

1. 使用產品之前，請仔細閱讀本說明書，並妥善保管以備日後參考
2. 請勿使用未經許可的其他配件，若因此造成機器故障，保修將自行終止
3. 請在拆除包裝後檢查產品是否有損傷，核對配件是否齊全
4. 如果電源線損壞，為了避免危險必須由製造商維修部的專業人員來更換
5. 兒童及無行為能力的人請在監護人監督下使用本產品
6. 倘若發生故障，應立即拔掉電源插頭，切勿將有缺陷的產品置於工作狀態。本產品只能夠在授權的維修中心維修，非授權維修中心維修時，易引發其它不安全因素
7. 食物加熱時間不宜過長
8. 如果火鍋注水過滿，可能有沸水噴出的危險
9. 烤盤與火鍋在清洗前必須與電線分開，烤盤與火鍋再次使用前必須把底座擦乾
10. 產品必須與配套的電線一起使用

## 產品安全注意事項



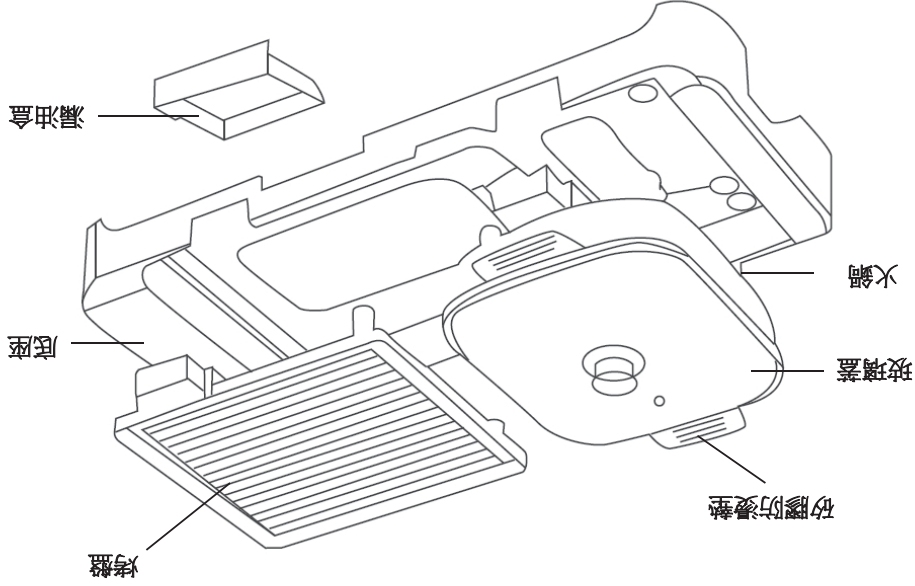
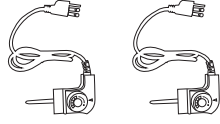
## 注意事項

1. 閱讀所有說明和重要的防護措施
  2. 取出烤盤、火鍋及所有配件，卸下所有包裝材料
  3. 第一次使用前建議清潔鍋體，使用軟布及溫和性清潔劑將內部徹底清潔，小心清洗烤盤及火鍋
  4. 擦乾烤盤、火鍋內外部，注意保持底座乾燥。
- 清洗烤盤、火鍋時傾斜 45 度角，防止插孔及底部電線碰到水，導致機器故障或短路。
- 第一次使用之前  
徹底清潔循序使用本產品之前，請先閱讀以下內容：

## 使用前說明

**使用產品前請仔細閱讀使用說明書，並妥善保存**

Temperature Controller  
(Power Cord)



## 產品結構

產品名稱	產品型號	電壓	頻率	功率
涮烤一體鍋	NEC-1012	120V	60Hz	2200W (火鍋 1200W) (烤盤 1000W)

## 產品規格

4. 本產品僅限於家用，請勿在戶外使用本產品
5. 勿使電源線接近熱源
6. 請勿將本產品至於高溫的表面
7. 產品的表面在使用時會變得非常熱，切勿觸摸

13. CAUTION: This appliance generates heat and escaping steam during use. Proper precautions must be taken to prevent the risk of burns, fires or other damages to persons or property.
14. Do not leave unit unattended while in use.
15. This appliance is for Household Use Only. Do not use appliance for other than intended use.
16. Do not place the grill pan or hot pot on other heat sources (e.g. cooking stove). It may become deformed.
17. Do not block steam vent holes.
18. During or immediately after cooking, the area near the Steam Vent Hole is kept at high temperature. To avoid burns, do not touch this area.
19. To reduce the risk of electric shock, cook only in the removable container.

SAVE THESE INSTRUCTIONS / HOUSEHOLD USE ONLY

# BEFORE FIRST USE

Before using for the first time, it is recommended to clean the interior of the grill and hot pot thoroughly. Please follow the procedures below before using the grill pan and hot pot:

1. Read all instructions and important safeguards.
2. Remove all packing materials and make sure that the product has been received in good condition.
3. Take care to keep the electrical components on the exterior of the grill and hot pot dry. Wipe and clean the interior of the grill and hot pot with a damp cloth.
4. Rinse out the inside of the grill and hot pot thoroughly with water.
5. Be cautions not to get any electrical components wet.
6. With a damp cloth, gently wipe off the exterior of the grill and hot pot. Do not wipe off electrical components as this may cause damage to the unit.
7. Dry all parts completely.
8. Do not immerse in water or other liquids.

# HOW TO CLEAN

1. Always detach power cord from the base before cleaning.
2. Always allow your appliance to cool completely before cleaning.
3. Never immerse your appliance completely in water or liquids. Keep the electrical element connection away from liquids. Wash hotpot and grill pan with hot soapy water.
4. Remove stubborn stains with plastic scouring pad and mild dish washing liquid. DO NOT USE STEEL WOOL SCOURING PAD.
5. Do not put the hot pot or grill pan in an automatic dishwasher as it may warp.
6. Rinse any remaining soapy water from the grill and hot pot.
7. Dry with a drying towel.
8. To avoid scratching the non-stick surface, do not stack objects on grill.
9. Store your appliance in its original box or a dry cupboard.


★ When rinsing the hot pot or grill pan under a faucet, hold the pot or pan at a 45° angle as to prevent water from entering the units.

## BRIEF INTRODUCTIONS:

Thank you for purchasing the Narita 2-in-1 Hot Pot & Grill. Please follow these simple tips to get the maximum performance and satisfaction from this appliance. Use according to our instructions and it will give you years of trouble-free enjoyment.

# SPECIFICATION

MODEL	RATED VOLTAGE	RATED FREQUENCY	POWER CONSUMPTION
NEC-1012	120V	60Hz	2200W (Hot Pot 1200W) (Grill Pan 1000W)

 傾斜 45 度角清洗烤盤、火鍋，避免插孔及底部電線碰到水，可能導致機器故障或短路。

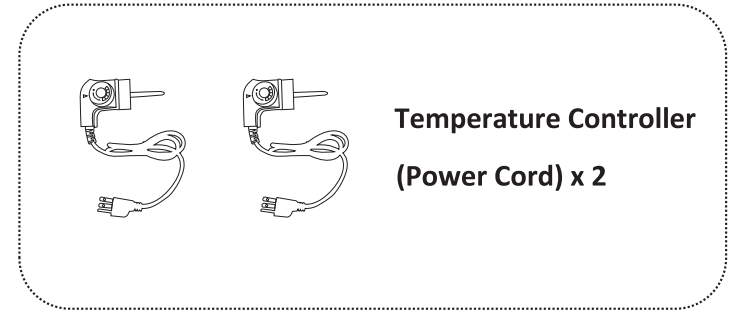
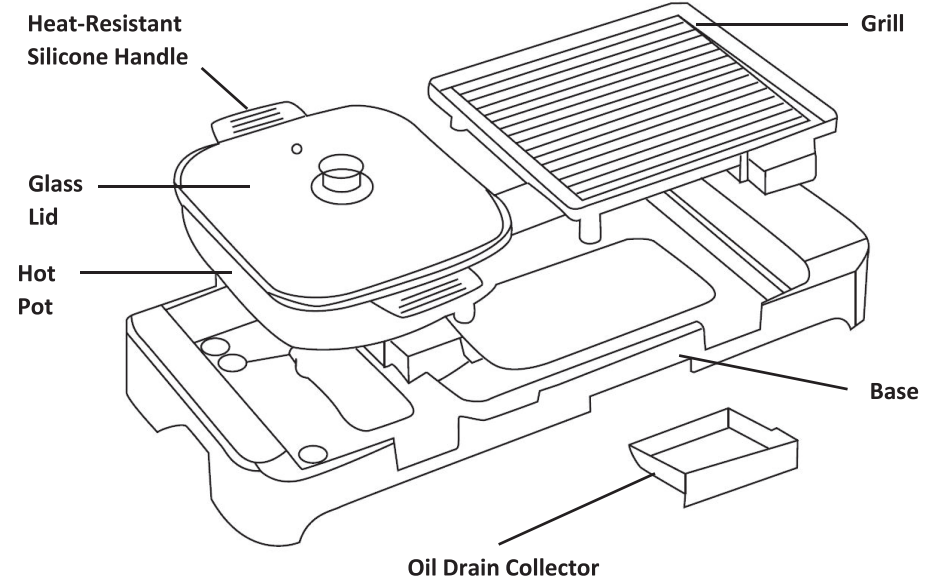
- 如果長時間不使用，請保持乾燥置於通風乾燥處存放
- 清洗時請勿用鋼絲球或尖銳物清洗，以免損壞鍋體表面
- 清洗時，用濕布、紙巾直接擦拭，烤盤上表面清潔，請使用乾布擦拭，嚴禁將本產品整個放入水中清洗
- 清洗本產品前先讓產品自然冷卻後，確定鍋體移除溫度調節器及電源線

## 清潔保養

- 待烤盤及火鍋冷卻後才好取出清洗
- 使用完畢，先把溫度調節器向左調到底，待指示燈熄滅後再拔出電源插頭
- 自動開通或關斷，在開關時指示燈會亮著或熄滅。
- 旋轉旋鈕，指示燈表示加熱開始在煮食過程中旋至所需溫度檔位(1-5)，電源會因鍋內食物及設定檔位而
- 使用烤盤加入少量的油輕微潤滑；使用火鍋中加入湯汁及配料，放入鍋中烹飪
- 請勿使用金屬或粗糙鋒利的器具在烤盤或火鍋上，以免破壞烤鍋或火鍋表面
- 請使用小木鏟或木製器具來翻動鍋體上的食物
- 延長線插入兩個插頭，電流量太大會導致跳電或火災
- 插座(連接器)與鍋體連接後，先將插頭旋轉鈕左調至“0”或“關”，再將插頭插入牆上電源。(提醒：切勿使用
- 放上火鍋及烤盤，確定四個角固定在塑膠盤中，左右晃動檢查是否平穩(圖示)
- 請置於平穩的桌面或平台上，注意不要接近小孩、火源及易燃物

## 使用說明

# PARTS IDENTIFICATION



問題	電源指示燈不亮	<ul style="list-style-type: none"> <li>• 電源是否脫落</li> <li>• 插頭是否插在電源孔上</li> <li>• 溫控調節器是否連接鍋體</li> <li>• 溫控調節器是否自動溫控斷開</li> </ul>
鍋體有沾東西時	<ul style="list-style-type: none"> <li>• 檔位是否太高</li> <li>• 不沾鍋尚有殘留東西時繼續使用</li> </ul>	<ul style="list-style-type: none"> <li>• 第一次使用本產品，因為第一次使用發熱管上有保護油會揮發出異味並帶有輕煙，慢慢會消失</li> <li>• 檢查產品底部不鏽鋼保護罩上保護膜是否清除</li> </ul>
電熱廚具溫度太低	<ul style="list-style-type: none"> <li>• 溫控調節器是否檔位太低</li> <li>• 是否使用正確電源線、插頭</li> </ul>	檢查內容

# HOW TO USE

1. Always place the appliance on a flat, clean and non-slippery surface before operating.
2. Place hot pot and grill pan into base.
3. Check whether the base of the hotpot and grill pan is intact before turning on the power.
4. The appliance must be used in conjunction with the power cord provided.
5. After connecting the temperature controller to the pot body, adjust the left knob to the “0” or “OFF” position, and then insert the temperature controller into the power supply.
6. This grill pan is made of non-stick coating. Lightly lubricate the non-stick coating with a small amount of oil.
7. Use only nylon, plastic or wooden utensils with care to avoid scratching the non-stick surface. Never cut food on the grill pan.
8. Rotate the knob and the light will illuminate letting you know it is heating up. Rotate the knob to the desired temperature range during cooking.
9. When the product is heated to a certain temperature during use, the indicator light on the thermostat will automatically turn off. If the temperature is lower than a certain temperature, it will automatically light up and heat. The automatic temperature control design can protect the grill pan.
10. During use, please try not to move the electric hot pot or grill pan. When you need to move, please hold the handles at both ends and do not touch the edge of the hot pot or grill pan to avoid accidental burns.
11. Use medium to low heat for the best cooking results; very high temperatures can cause discoloration and shorten the life span of the non-stick surface. If higher temperatures are necessary, preheat on medium for a few minutes.
12. After use, turn the knob left to “0” or “OFF”, unplug the power plug and socket

★ Each temperature controller should be plugged into its own wall outlet.

# INTRODUCTION TO TEMPERATURE REGULATION

The thermostat of this product adopts the temperature adjustment method, and the selected temperature point is different according to the food cooked.

Please adjust the thermostat when you use it to achieve the perfect cooking effect.

## WARNING

- This product is compatible with 120V/60Hz.
- Each temperature controller should be plugged into its own individual power outlet.
- Do not disassemble the product for any issues or problems. Please send to a certified Narita USA technician for diagnosis and repairs.
- Do not operate if power cord is damaged send directly to a certified Narita USA technician.
- Operate on a flat surface only, away from flammable materials like curtains.

## LIMITED WARRANTY

This unit is warranted against defective materials or workmanship for one year from the date of purchase (warranty is only valid with a dated proof of purchase). The warranty is valid for any manufacturing defects only. This warranty covers operational defects incurred in normal use and does not apply in the case of damage, abuse, mishandling, accident, or failure to follow operation instructions. During the one year warranty period, a product with a defect will be either repaired or replaced with a reconditioned comparable model (at our option). Any return of defective merchandise to the manufacturer must be processed accordingly by contacting customer service first to obtain the Return Merchandise Authorization Number and **freight prepaid with proof of purchase**. (Please pack your product well; we will not be responsible for damages incurred as a result of improper packing.) We will not accept any returns of merchandise without an applicable RMA#.

Narita USA will pay the shipping charges to ship the repaired or replacement product back to you.