

Water Boiler and Warmer Electric Thermo Pot



NP-4015

Please read this manual thoroughly before operating this unit.
This unit must only be service by the authorized service center.

INSTRUCTION MANUAL

TABLE OF CONTENTS

IMPORTANT SAFEGUARDS	1
MAIN UNIT & ACCESSORIES	4
OPERATING INSTRUCTIONS	6
CLEANING	10
BASIC MAINTENANCE AND TROUBLESHOOTING	12
SPECIFICATIONS	13

IMPORTANT SAFEGUARDS



To reduce the risk of fire, injury or electrical shock along with extending the life of your electrical appliances, please read and follow all of the information in this manual before using and save it for future reference.

Please read these safety instructions carefully before using this appliance.

1. Please review the product illustrations before use.
2. This product is designed for personal use only and should not be used for commercial purposes.
3. Only operate the Thermo Pot on a stable, flat, and heat resistant surface. Never tilt the appliance since it may cause heated water to spill from the spout or steam vent and lead to burning, scalding or a more severe injury.
4. When using the DISPENSE BUTTON located on the top control panel, be careful not to also apply pressure with your cup against the DISPENSE LEVER located behind the WATER OUTLET. Doing so will cause the water flow to continue even after the DISPENSE BUTTON is released.
5. Please use caution when handling the appliance at times when it contains recently heated or boiled water.
6. Mind the steam vent, water outlet and additional hot surfaces. Always use the handle when moving or lifting the appliance, and avoid blocking the steam vent at all times.
7. Handle the power cord with care. Be careful not to tug, pull, or bend the cord.
8. You must always attach the power cord to the appliance first AND THEN connect the cord to the wall outlet or power supply. To disconnect the appliance you must remove the plug from the wall outlet or power supply first.
9. Remember to always unplug the Thermo Pot from the power outlet while not in use.
10. Never fill the appliance beyond the indicator line as this may cause splashing of boiling water, leading to a burn or scalding. Ensure that the lid is secured accordingly. **WARNING:** Never open the lid of the appliance while water is boiling as this is going to lead to scalding and injury.
11. Please remain aware of the potential for splashing as water reaches a boil. The hot water outlet or spout area may pose a hazard for a few moments after boiling occurs and after the appliance is turned off.
12. **This appliance is for boiling water. DO NOT fill it with any other liquids or materials as this will damage the appliance and make it unsuitable for further use.**

13. Do not use the Thermo Pot on a stove top burner, hot plate, or cooker of any kind as it is not designed for exposure to direct heat.
14. Be aware of children when the appliance is in use. Do not position the Thermo Pot anywhere near countertop edges or in a way that allows the power cord to hang freely. This may allow a child to grab or pull the appliance down from the counter where injury and scalding can occur.
15. Do not allow unsupervised usage of this appliance by persons with lack of experience or knowledge of its operation. Additionally, children or people with physical disabilities should only be allowed to operate the appliance with assistance from a qualified adult.
16. **NOTE:** The REBOIL switch cannot be switched off manually during use.
17. When cleaning the appliance you must unplug the appliance and wait until it is completely cool before removing the lid and beginning any cleaning operation.
18. Do not submerge the Thermo Pot or its power cord in liquid or water at any time.
19. If the appliance malfunctions or if the appliance or power cord appears damaged in any way, immediately stop use and email us at CustomerCare@thesecura.com. Never attempt to repair this appliance yourself.
20. There are no accessories or attachments for this appliance, and the use of any custom attachments is not recommended by the manufacturer as this can result in electrical shock, injury, fire, or damage to the appliance.
21. Dry the appliance fully before storing.

WARNING! The Electric Water Kettle and its base are NOT dishwasher safe. Do not place any of the parts in the dishwasher or submerge them in liquid.



CAUTION:

Only connect to a properly grounded outlet to prevent the risk of electric shock.



CAUTION:

To avoid circuit overload, do not operate another high wattage appliance on the same outlet or circuit.



Always follow basic safety precautions when using any electrical products, especially when children are present.

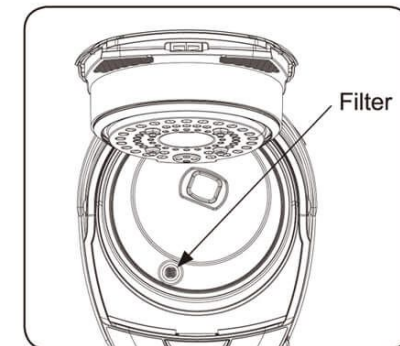
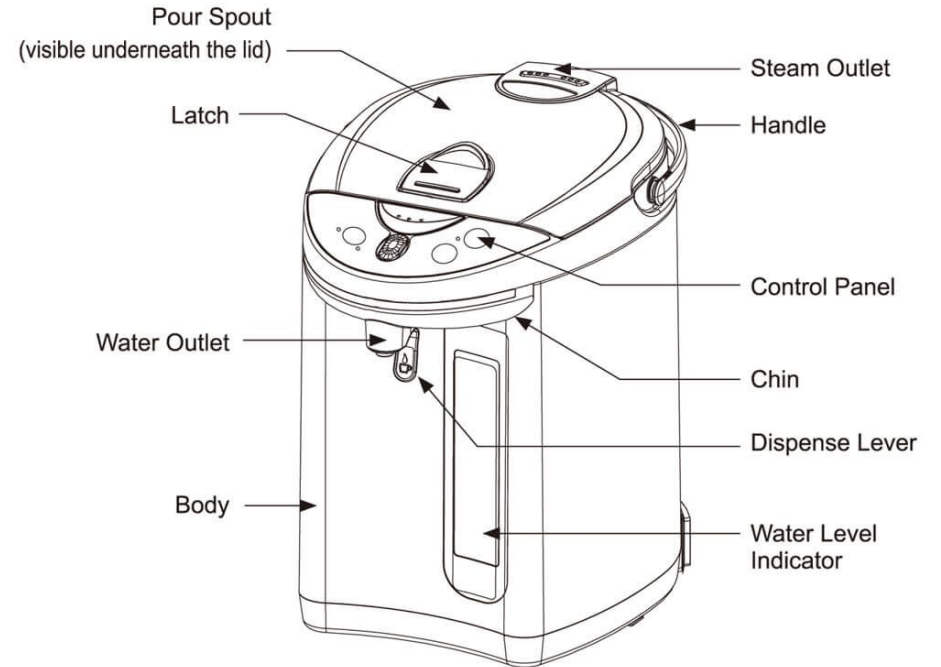


CAUTION, HOT SURFACES:

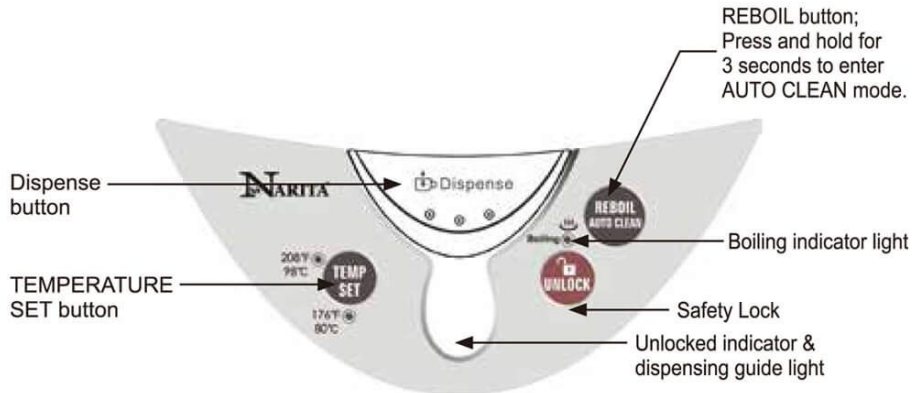
This appliance generates heat and ejects steam during use. Proper precautions must be taken to prevent the risk of burns, fires or other injury to persons or damage to property.

**READ AND SAVE THESE INSTRUCTIONS
FOR FUTURE REFERENCE
For Personal Use Only**

MAIN UNIT & ACCESSORIES



Control Panel



OPERATING INSTRUCTIONS

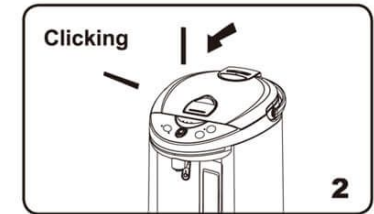
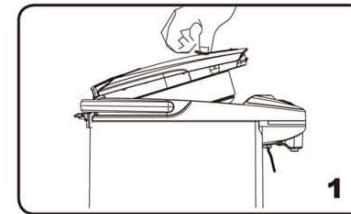
NOTE: Before plugging in your Thermo Pot, make sure the required electrical supply is the same as indicated on the underside of your Thermo Pot.

Prior to using the Thermo Pot for consumable water, be sure to boil several pots of water (discarding them after they have been boiled) to ensure that the pot is completely free of debris or any coatings left over from the manufacturing process. Remove the lid before pouring the water out of the Thermo Pot. Use the pour spout as a guide when pouring the water out.

Opening, Closing, Removing and Attaching the Thermo Pot Lid

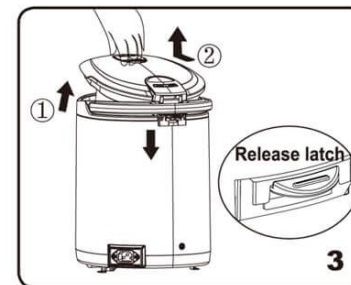
NOTE: Never do any of the following procedures without first ensuring that the Thermo Pot is cool and unplugged.

1. To open the lid: Lift up the latch at a 45 degree angle until you hear it click. Continue to lift the lid in order to open it fully.



2. To close the lid: Simply press gently down on the lid until you hear the clicking sound that indicates it is latched into place.

3. To remove the lid: Press the release latch at the back of the lid, raise the latch until the lid is at approximately 45 degree angle and pull the lid away from the body of the appliance.



Water Boiler and Warmer (Electric Thermo Pot)

4. To attach or re-attach the lid: Position the lid back at a 45 degree angle and slide the shaft of the hinge on the lid into the hinge that is attached to the body of the Thermo Pot. Press the top of the latch at the hinge, and gently allow the hinge shaft to click into place.

Filling and Using the Thermo Pot

1. Properly open the lid of the Thermo Pot as instructed in the previous section.
2. Use the Water Level Indicator to fill the pot to the "FULL" level:
 - Never fill beyond the "FULL" indicator as this may lead to splashing and injury;
 - Be sure that the water is kept above the "REFILL" mark on the Water Level Indicator at all times;
 - Try to prevent water from contacting the Control Panel on the lid;
 - Use water only and do not attempt to boil any other fluid or foods in the Thermo Pot;
 - Distilled and purified water are highly recommended for use in this appliance.
3. Close the lid of the Thermo Pot as instructed in the previous section, and be sure that the clicking sound is heard before continuing.
4. Attach the Power Cord to the appliance firmly to avoid potential electrical damage, then connect the cord to the power supply or wall outlet. This triggers the Thermo Pot to automatically begin the boiling process. You will note the "Boiling" indicator light has become illuminated.

The flashing TEMP indicator light indicates the Thermo Pot is set to keep the water at that temperature after boiling unless otherwise indicated. Water heats at a slow boil – it takes approximately ½ hour to boil a full pot of water.

5. When the water has boiled, the TEMP indicator light stops flashing. Dispense hot water by pressing the "UNLOCK" button and then pressing the "DISPENSE" button to pour the heated water into individual cups or other vessels.
6. Should you need to re-heat the water or make a new pot of boiling water, be sure that the Water Level Indicator is above the REFILL mark and then press the "REBOIL" button.
7. Never open the lid during any boiling or re-boiling process and never put your hands (or other objects) near the cover or the steam vent.



NARITA[®]

To Safely Dispense Water

NOTE: Never touch or open the lid of the Thermo Pot while the water is boiling.

1. Once the water has stopped boiling, you may press the UNLOCK button on the Control Panel, which will illuminate the UNLOCK indicator. For your safety, the Thermo Pot will not dispense water until the UNLOCK indicator is lit.

NOTE: For optimal performance of the pump, please keep the water level above the 2 liter (2L) mark.

2. Place your cup under the Water Outlet on the front of the Thermo Pot.
 3. The Thermo Pot features TWO dispensing options for your convenience:
 - a. Press and hold the DISPENSE BUTTON located on the top Control Panel until the desired level of water is reached. When using the DISPENSE BUTTON, the water stream starts low to prevent splashing, and then increases.
 - b. Using your cup, apply pressure to the DISPENSE LEVER located behind the WATER OUTLET and release the pressure when the desired level of water is reached.
- NOTE:** When using the DISPENSE BUTTON, be careful not to also press your cup against the DISPENSE LEVER. Doing so will cause the water flow to continue even after the DISPENSE BUTTON is released.
4. Once the DISPENSE BUTTON or DISPENSE LEVER is released, the Thermo Pot will automatically LOCK and the Dispensing Guide Light will turn off within 15 seconds.

Adjusting the Temperature Setting

NOTE: When the temperature setting is changed from the lower to the higher temperature, it will always REBOIL at this new temperature unless otherwise indicated.

1. Press the "TEMP SET" button until the indicator light for the required temperature begins to flash.
2. When the Thermo Pot is disconnected from the power supply, it resets the temperature and will reboil and hold all water to the default temperature setting unless manually changed.

Protecting the Thermo Pot from Overheating

The Thermo Pot is designed so that there is always a minimum amount of water left in the pot. This is a safety feature that prevents the pot from boiling dry. Refill immediately when water level is too low to dispense water.

In the event that the pot is completely empty, overheating will occur.

The appliance has two automatic safety features that cause the Thermo Pot to cease heating when an "overheat situation" is possible.

1. AUTOMATIC SAFETY #1: When the water level is too low, all of the appliance lights will flash.
2. AUTOMATIC SAFETY #2: Should the Thermo Pot experience a dry boil for any period of time, all of the lights will flash.
3. Should any overheating occur, or should the appliance initiate an AUTOMATIC SAFETY procedure, you should unplug the power cord and wait for the appliance to cool. Fill with cool water and plug the appliance back into the power supply. Normal function should be possible after the cooling down and power resetting.
4. When the appliance has cooled, it is safe to boil water again.

NOTE: If the Thermo Pot has been allowed to dry-boil a number of times there will be a noticeable discoloration of the interior of the tank due to high temperatures.

NOTE: Always disconnect from power and allow to cool, remove lid and empty any water before doing any cleaning procedures.

CLEANING

Exterior Cleaning

With a soft damp cloth and mild cleaning agent wipe the exterior of the Thermo Pot. Do not use any abrasive cleansers or rough cloth as this will damage or scratch the surface of the appliance. Be particularly careful of the Water Fill Level area, as this must remain easy to read.

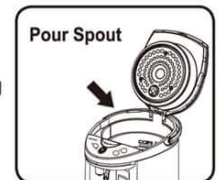
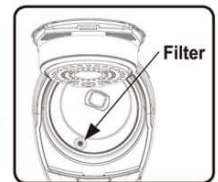
Auto Clean

This appliance has a stainless steel interior, which provides you with safe daily use. There are no plastic coatings, which ensures that your appliance will enjoy a substantially longer life and operate at higher levels of efficiency. When operating this appliance, we recommend using purified or distilled water for the best results, including helping to prevent the build-up of mineral deposits.

This appliance should be cleaned regularly. To keep the stainless steel interior in top condition, we suggest you use "Bar Keeper's Friend Cookware Cleanser & Polish." Do not use detergents to clean the interior of this appliance, as detergents can leave an after-taste or cause damage to the inner chamber.

Small rust spots and discolored areas in the interior can be cleaned with special stainless-steel cookware cleansers, such as "Bar Keeper's Friend Cookware Cleanser & Polish."

1. There is a small filter attached to the bottom of the interior. Before starting the AUTO CLEAN process, remove this filter by pulling up on it. Clean the filter gently with warm water and a brush. For a heavy buildup, a mild citric acid-based stainless steel cleaner may be used. Do not use detergent or any other cleaner that may leave an aftertaste. Rinse well with warm water and replace.
2. Fill the pot with water to the FULL mark and close the lid.
3. Press and hold the AUTO CLEAN button for three seconds to start the AUTO CLEAN process.
4. While in AUTO CLEAN mode, the temperature setting indicators will alternately flash.
5. Once the AUTO CLEAN process has finished, allow the Thermo Pot to cool slightly and then press the DISPENSE button to remove as much of the water as possible.
6. Unplug the Thermo Pot from its power supply and allow to cool completely. Remove the lid and pour out the remaining water using the pour spout as a guide. Make sure water does not get on the control panel or the power cord outlet. Wipe the exterior of the Thermo Pot with a soft cloth. It is recommended that the Thermo Pot is then refilled, reboiled and emptied again.



Water Boiler and Warmer (Electric Thermo Pot)

- Wipe down the interior with a damp cloth, rinse again, and then use a softer dry cloth to pat dry the interior of the Thermo Pot.

NOTE: The interior of the appliance may become rusted or discolored over time. This is due to the deposits of lime or other particles that cling to the stainless steel. Do not use any detergents to remove them since they can leave an after-taste or cause damage to the inner chamber. Rust spots and discolored areas can be cleaned by special stainless steel cookware cleansers, such as "Bar Keeper's Friend Cookware Cleanser & Polish".

WARNING:

If you notice any particles or deposits in the pot, always remove the lid and pour the water out from the top opening using the pour spout as a guide whenever possible. Do not let the particles go down through the pump.

Decalcification

Decalcification is the process of removing mineral deposits. Mineral deposits may form in the interior of the appliance, which could result in rust or discoloration over time. This is normal for stainless steel due to the deposits of lime or other particles that cling to the stainless steel. Water impurities and water hardness, and how often you use your appliance, can also affect the build-up of mineral deposits.

It is recommended that you decalcify your appliance regularly to get the best performance. Do not use detergents to remove mineral deposits in the interior of your appliance. Distilled white vinegar can be used to decalcify your appliance for large amount of mineral deposits.

To decalcify the water boiler using distilled white vinegar, do the following:

- Fill the water boiler to at least the 1-quart water level with equal parts of distilled white vinegar and water. Depending on the location of the mineral deposits in the interior of the water boiler, fill to a higher water level. For tougher cleaning jobs, you might want to increase the ratio of the distilled white vinegar to water to a 2:1 ratio (e.g. 2 cups distilled white vinegar and 1 cup water).
- Bring to a boil using the same method for boiling water.
- When the water is boiled, unplug the Thermo Pot from the power supply and allow the Thermo Pot to cool completely.
- Remove the lid and discard the solution, using the pour spout as a guide.
- Repeat the cleaning process if necessary.
- Rinse the interior with fresh water.
- Let air dry before storing.

BASIC MAINTENANCE AND TROUBLESHOOTING

NOTE: Should the power cord or appliance plug sustain damage, it is important to cease using the appliance immediately. Do not attempt to repair the appliance yourself. Contact our Customer Service Department.

There are some common issues that do not require professional assistance. They include the following problems, causes and solutions:

Problem	Common Cause	Solution
No power to the appliance.	Loose power cord.	Manually inspect the power cord and connection.
REBOIL button is not working.	Water level is too low.	Fill with water.
Water will not dispense or is not dispensing smoothly.	No power.	Manually inspect the power cord and connection.
	Boiling has just occurred and air bubbles are trapped within the chamber.	Open the lid to release air and then close lid.
	Interior is dirty and filter blocked.	Following CLEANING procedures on page 10.
	Water level is too low.	For optimal pump operation, please keep water level above the 2 liter mark.
Water spilling out of the unit.	Water added above FULL line.	Remove excess water until indicator shows it is below the FULL line.
White residues in water.	Mineral deposits have occurred.	Clean the interior of the pot according to instructions.
Boiling sound is excessively loud.	Interior is dirty or the filter is blocked.	Clean the entire unit according to instructions.

Water Boiler and Warmer (Electric Thermo Pot)

SPECIFICATIONS

MODEL	NP-4015
CAPACITY	4L
VOLTAGE	120V~
FREQUENCY	60Hz
WATTAGE	750W

LIMITED WARRANTY

This unit is warranted against defective materials or workmanship for one year from the date of purchase (warranty is only valid with a dated proof of purchase). The warranty is valid for any manufacturing defects only. This warranty covers operational defects incurred in normal use and does not apply in the case of damage, abuse, mishandling, accident, or failure to follow operation instructions. During the one year warranty period, a product with a defect will be either repaired or replaced with a reconditioned comparable model (at our option). Any return of defective merchandise to the manufacturer must be processed accordingly by contacting customer service first to obtain the Return Authorization Number and freight prepaid with proof of purchase. (Please pack your product well; we will not be responsible for damages incurred as a result of improper packing.) We will not accept any returns of merchandise without an applicable RMA#.