

SERVICE & IMPORTANT NOTICE

If the supply cord is damaged, it must be replaced by the manufacturer or its service agent or a similarity qualified person in order to avoid a hazard.

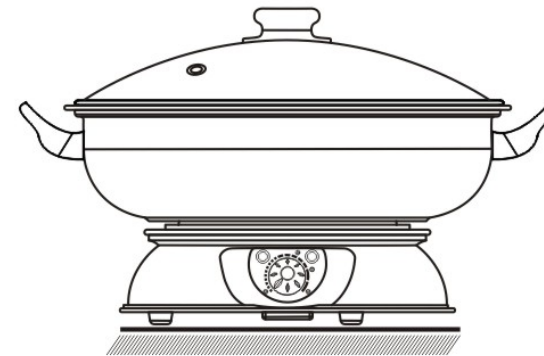
Limited Warranty

This unit is warranted against defective materials or workmanship for one year from the date of purchase (warranty is only valid with a dated proof of purchase). The warranty is valid for any manufacturing defects only. This warranty covers operational defects incurred in normal use and does not apply in the case of damage, abuse, mishandling, accident, or failure to follow operation instructions. During the one year warranty period, a product with a defect will be either repaired or replaced with a reconditioned comparable model (at our option). Any return of defective merchandise to the manufacturer must be processed accordingly by contacting customer service first to obtain the Return Authorization Number and freight prepaid with proof of purchase. We will not accept any returns of merchandise without an applicable RMA#.

NARITA®

Electric 2 way Hot Pot

INSTRUCTION MANUAL



MODEL: NEC-3016

Please read the instruction in details before use.
Household use only.

1.IMPORTANT SAFEGUARDS.

When using electrical appliances, basic safety precautions should always be followed, including the following.

- 1) Read all instruction.
- 2) Do not touch hot surfaces. Use handles or knobs.
- 3) To protect against fire, electric shock and injury to persons do not immerse cord, plugs, or heating base in water or other liquid.
- 4) Close supervision is necessary when any appliance is used by or near children.
- 5) Unplug from outlet when not in use and before cleaning. Allow to cool before putting on or taking off parts, and before cleaning the appliance.
- 6) Do not operate any appliance with a damaged cord or plug or after the appliance malfunctions, or has been damaged in any manner. Return appliance to the nearest authorized service facility for examination, repair or adjustment.
- 7) The use of accessory attachment not recommended by the appliance manufacturer may result in fire, electric shock or injury to persons.
- 8) Do not use outdoors.
- 9) Do not let cord hang over edge of table or counter, or touch hot surface.
- 10) Do not place on or near a hot gas or electric burner, or in a heated oven.
- 11) Always attach plug to appliance first, then plug cord into the wall outlet.
To disconnect, remove plug from wall outlet.
- 12) Do not use appliance for other than intended use.

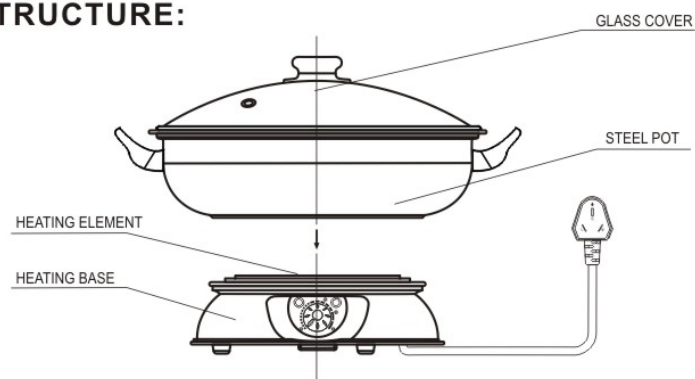
2.FEATURES:

- 1) It combines the advantage of Chinese cuisine culture with western cuisine culture in the aspects of design and modeling.
- 2) Provided with temperature controller, you can adjust the temperature as you need in cooking.
- 3) The combination structure allows the hot pot be separated from the heating base freely for easy cleaning and operation.

3.TECHNICAL PARAMETERS:

SPECIFICATIONS	
NAME	Electric 2 way Hot Pot
MADEL	NEC-3016
RATING VOLTAGE	120V
WATT	1500W

4.STRUCTURE:



5.OPERTION INSTRUCTIONS:

- 1) Before each operation, check if there are any articles on the surface or the heating board, remove it if there is any.
- 2) Place the pot with soup (water) levelly on the heating base, and turn it to ensure its bottom meets well to the heater.
- 3) Plug the temperature controller into the socket of heating base. Must fully insert the temperature controller into the socket. And plug the power plug into the power socket, the power indicator light is on.
- 4) Adjust the temperature controller switch, when the power indicator lights on, that means it is working.

6.SHORT CORD INSTRUCTIONS

(When the length of the power-supply cord is less than 1.44mm)

- 1) A short power-supply cord (or detachable power-supply cord) is to be provided to reduce risks resulting from becoming entangled in or tripping over a longer cord.
- 2) Longer detachable power-supply cord or extension cords are available and may be used if care is exercised in their use.
- 3) If a long detachable power-supply cord or extension cord is used.
 - A) The marked electrical rating of the detachable power-supply cord or extension cord should be at least as great as the electrical rating of the appliance.
 - B) If the appliance is of the grounded type, the extension cord should be a grounding-type 3-wire cord.
 - C) The longer cord should be arranged so that it will not drape over the counter top or table top where it can be pulled on by children or tripped over.