



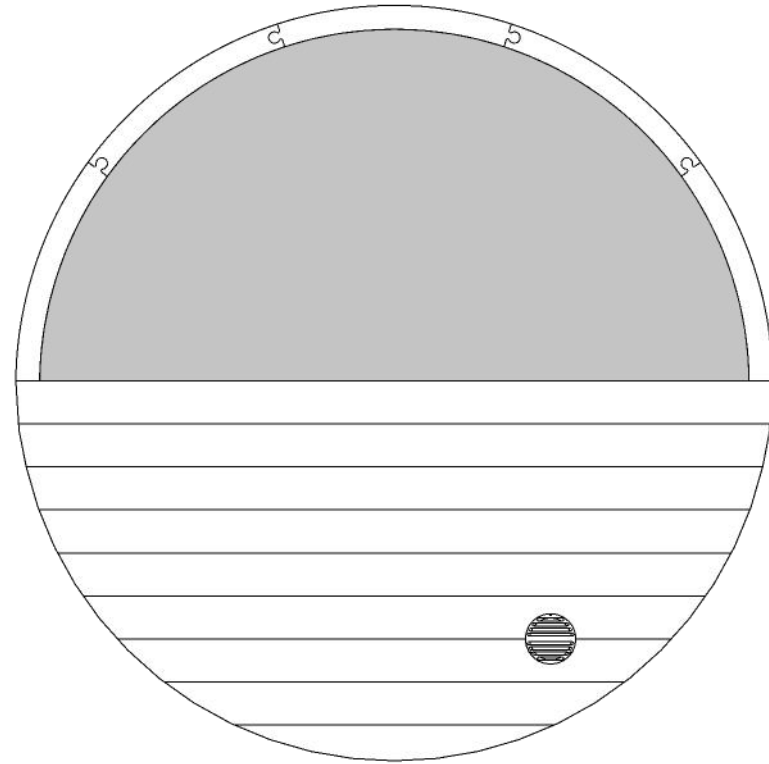
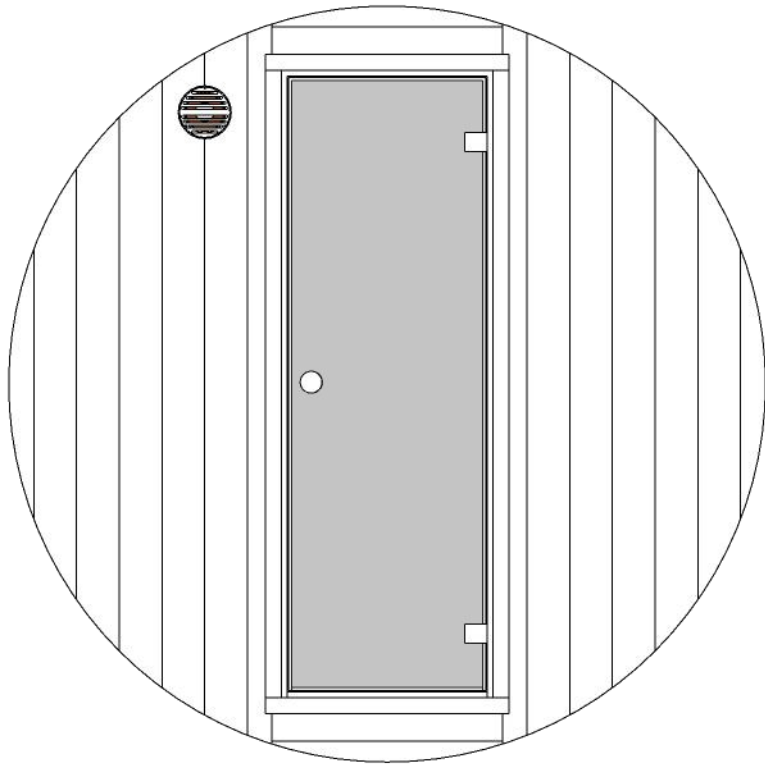
Ergo-Series E6W Barrel Sauna
Half Glass Window 59D" x 81H"



Note: Please read manual before construction

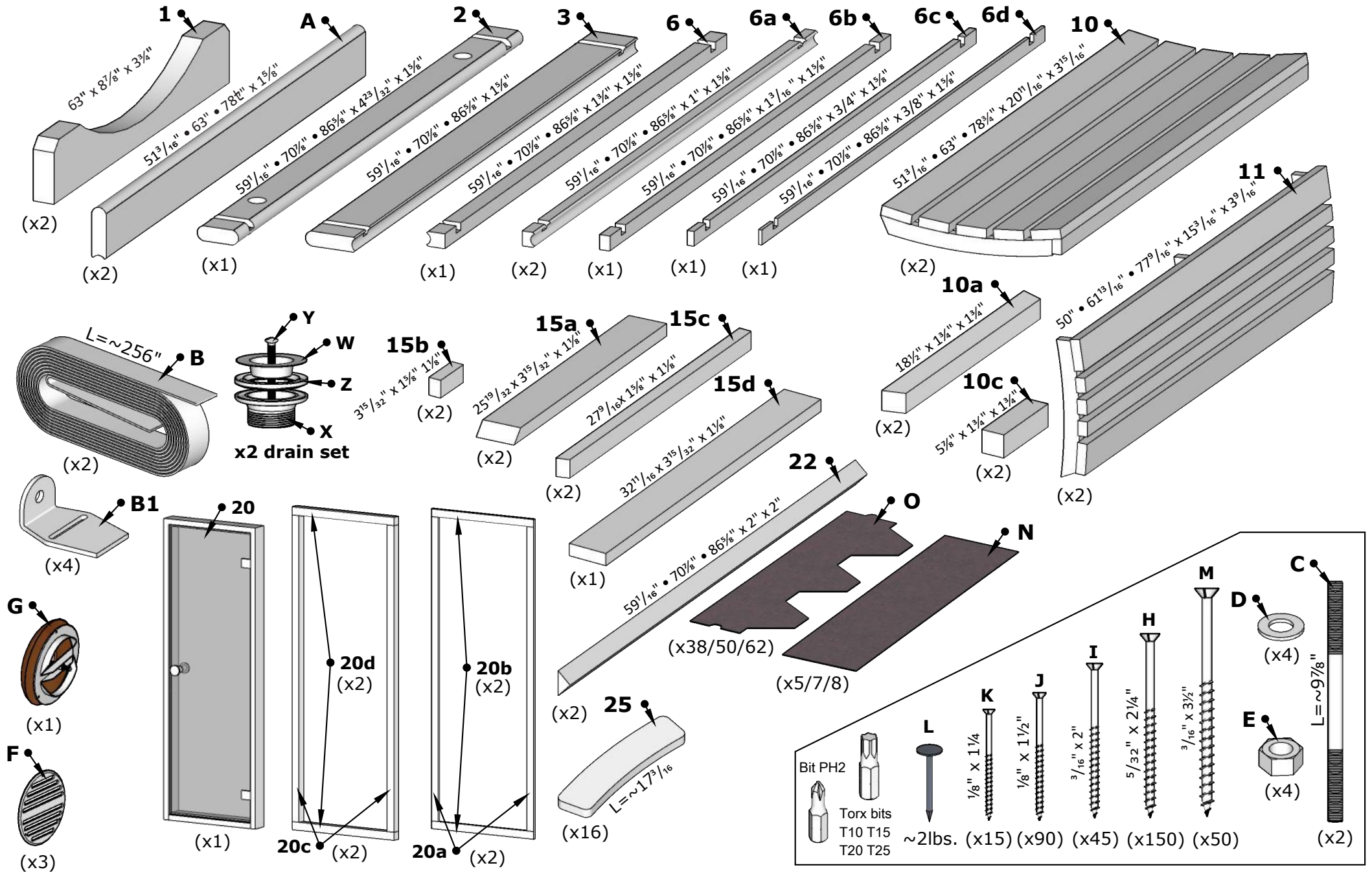
Rev 4/2023

Front & Back Walls

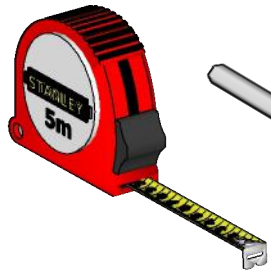


E6W Barrel Sauna 59D" x 81H"

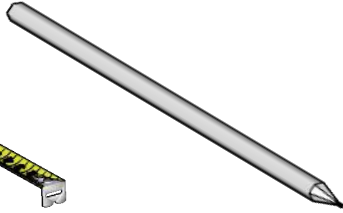
Details list.



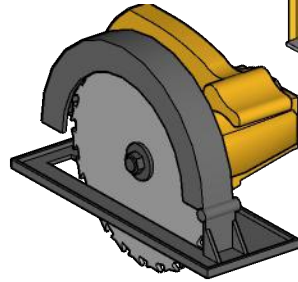
Tools needed



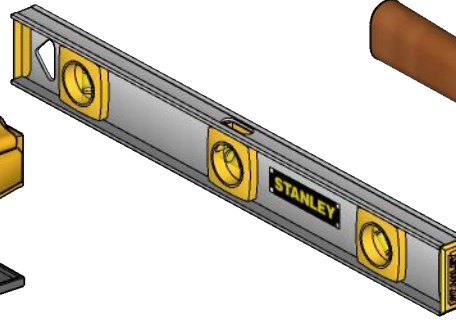
Measuring tape



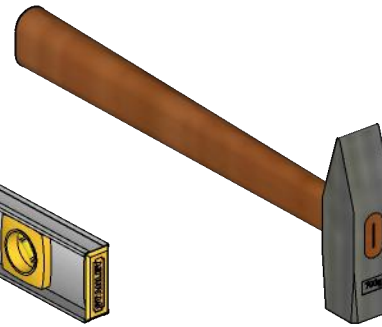
Marker pen



Circular saw



Water level



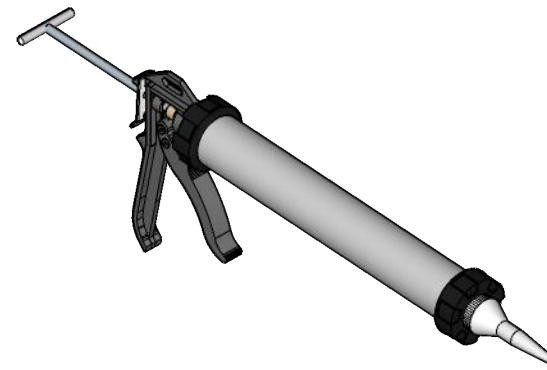
Hammer



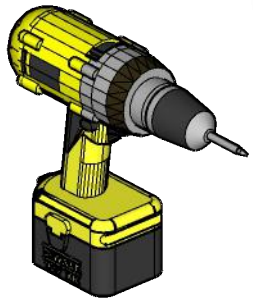
Extra hands



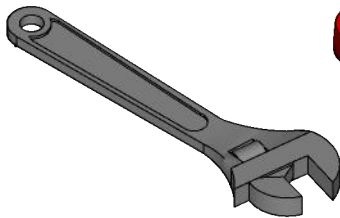
Ratchet strap



Silicone gun
(Only glass-wall models)



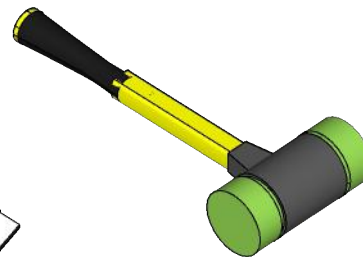
Drill



Crescent wrench

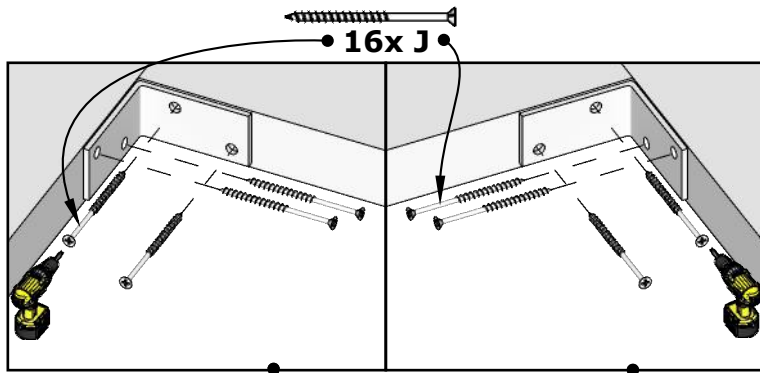
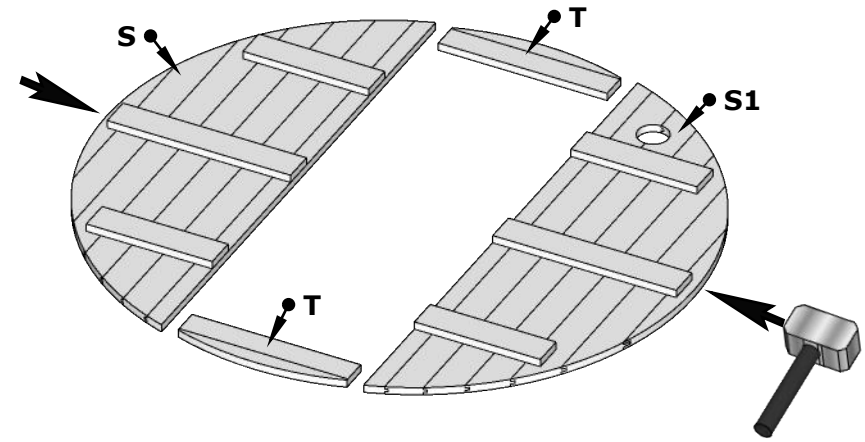
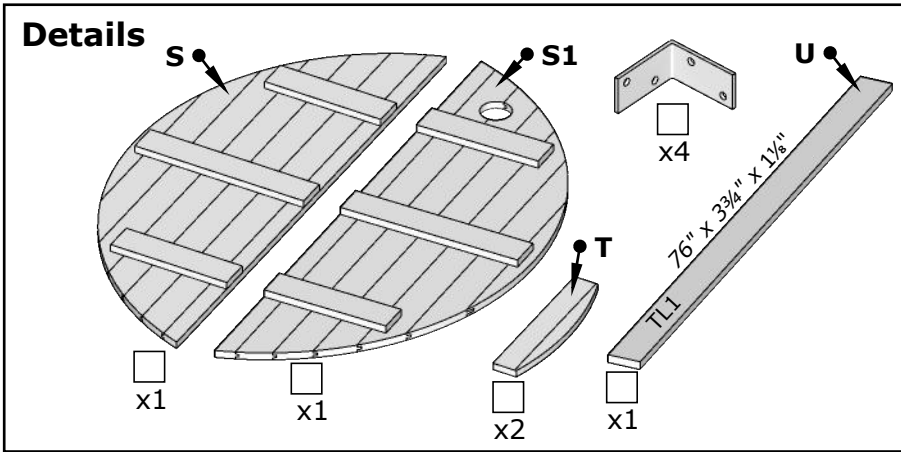


Utility knife

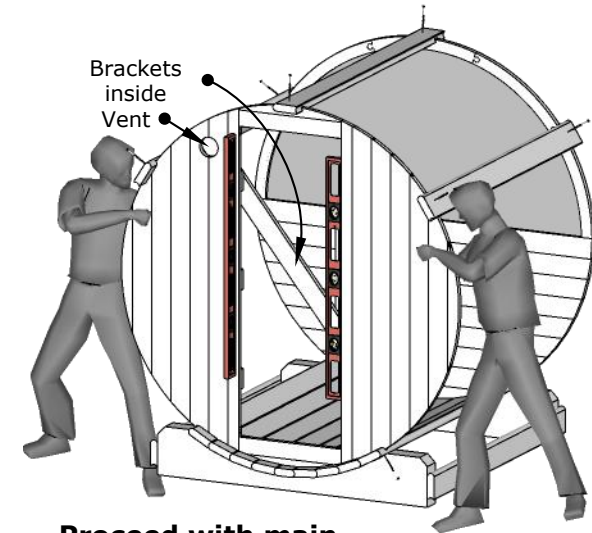
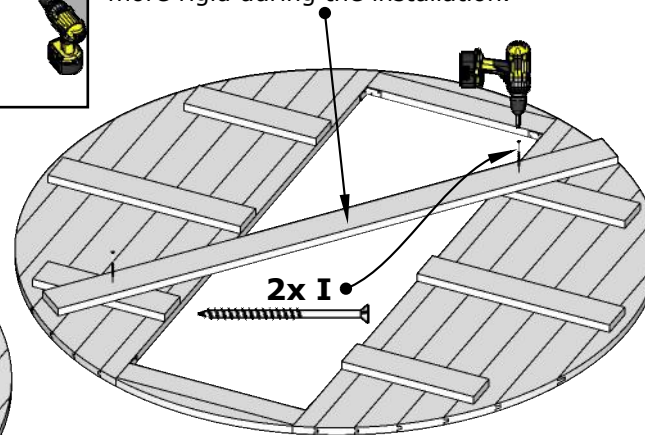


Rubber mallet

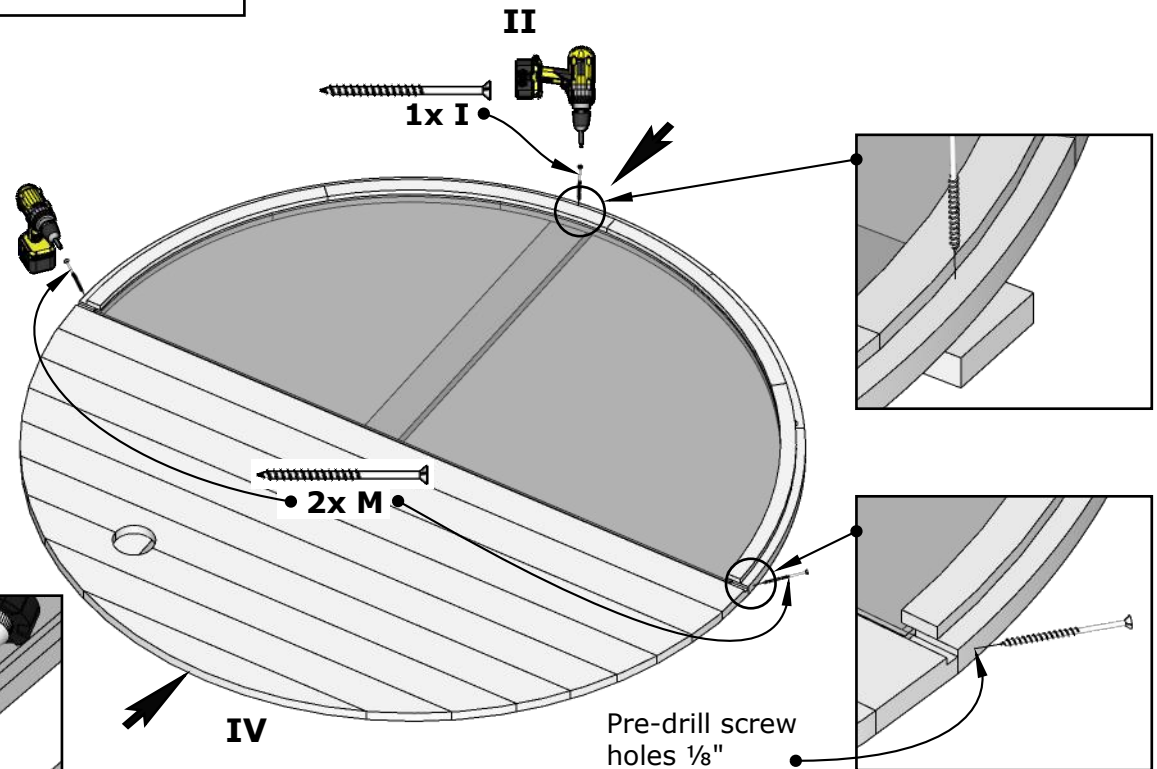
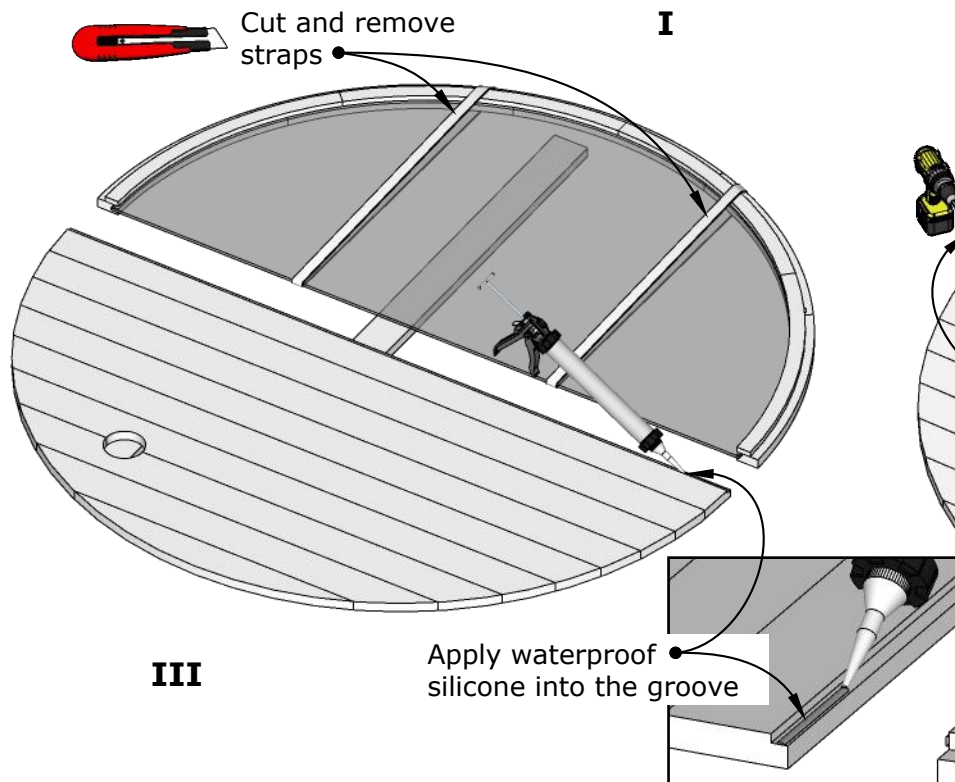
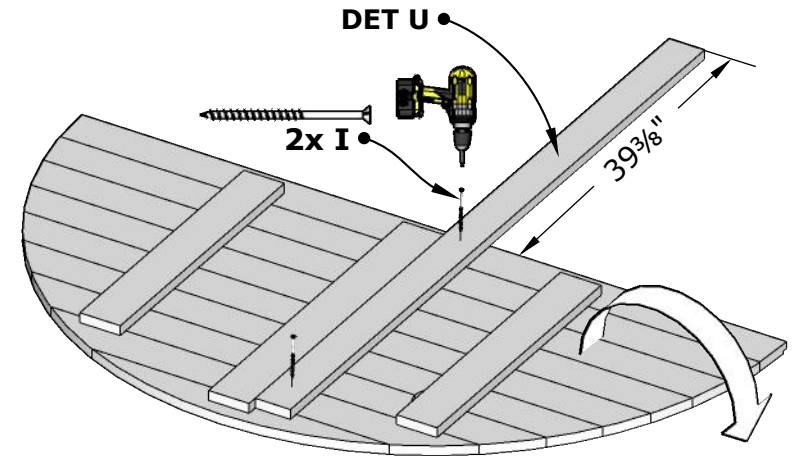
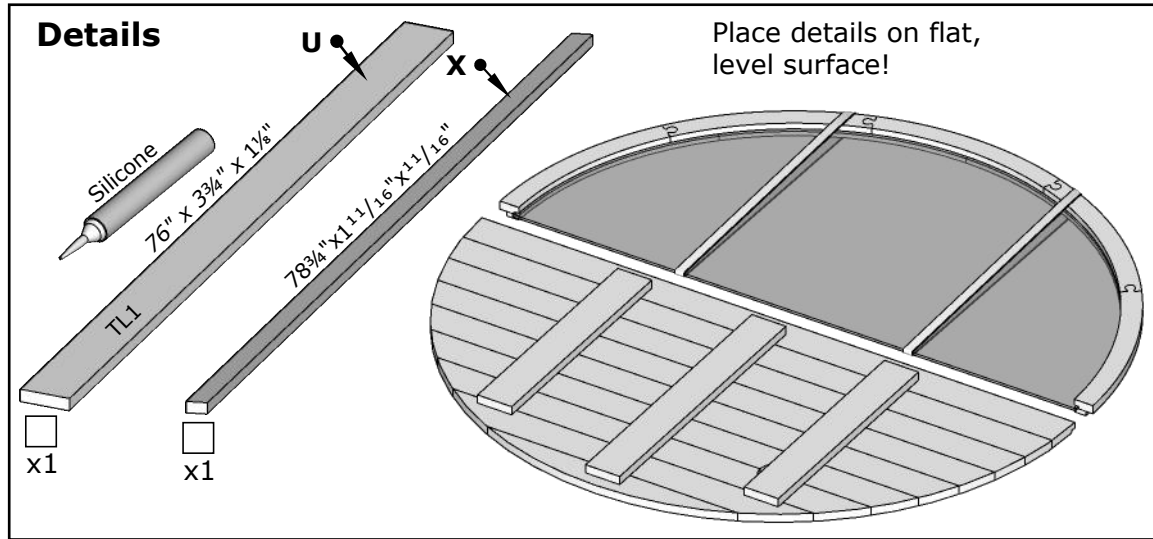
Wooden front wall installation



DET U Fix it diagonally to make wall more rigid during the installation.

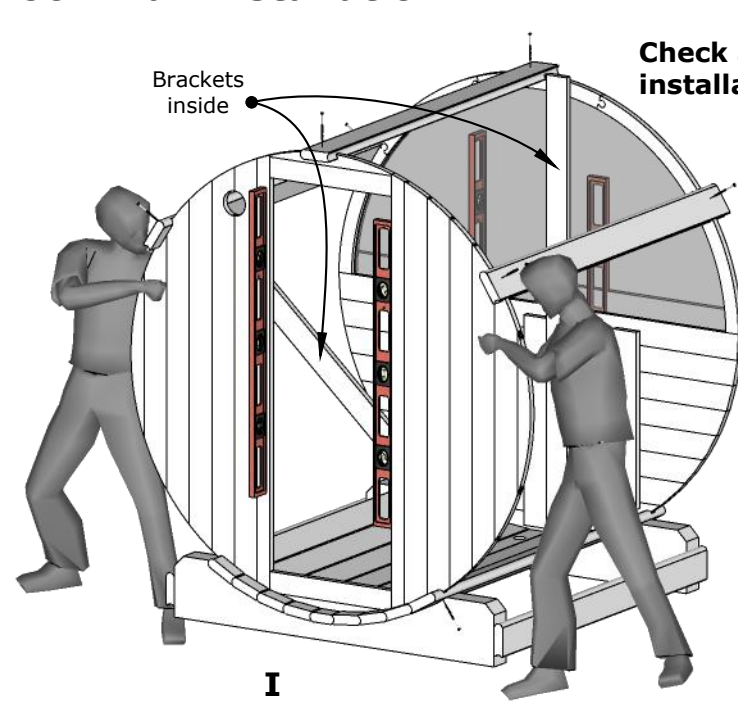


Half-moon wall installation

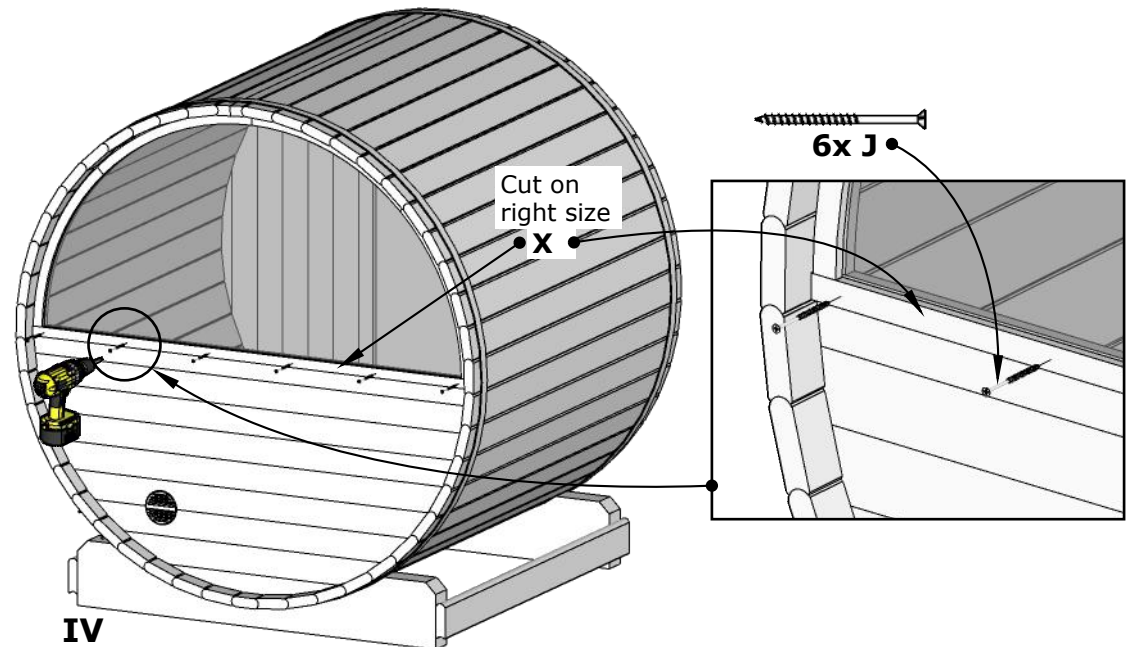
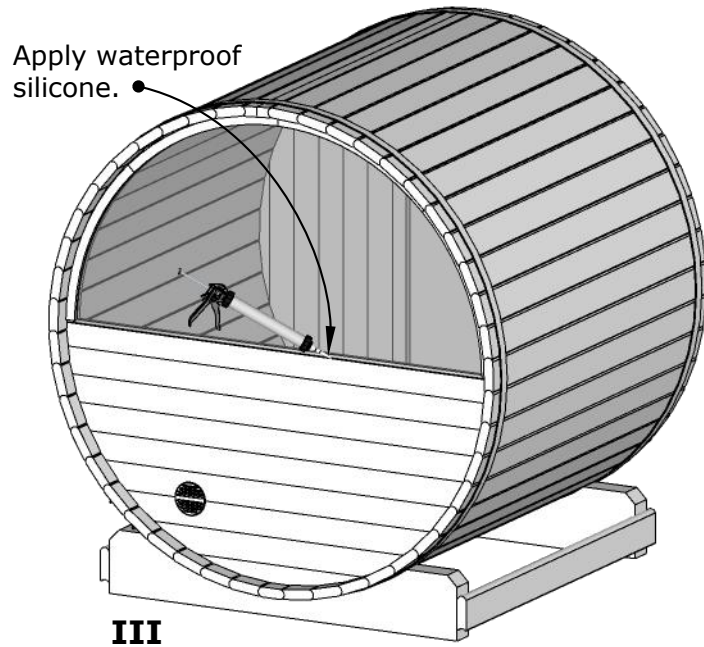
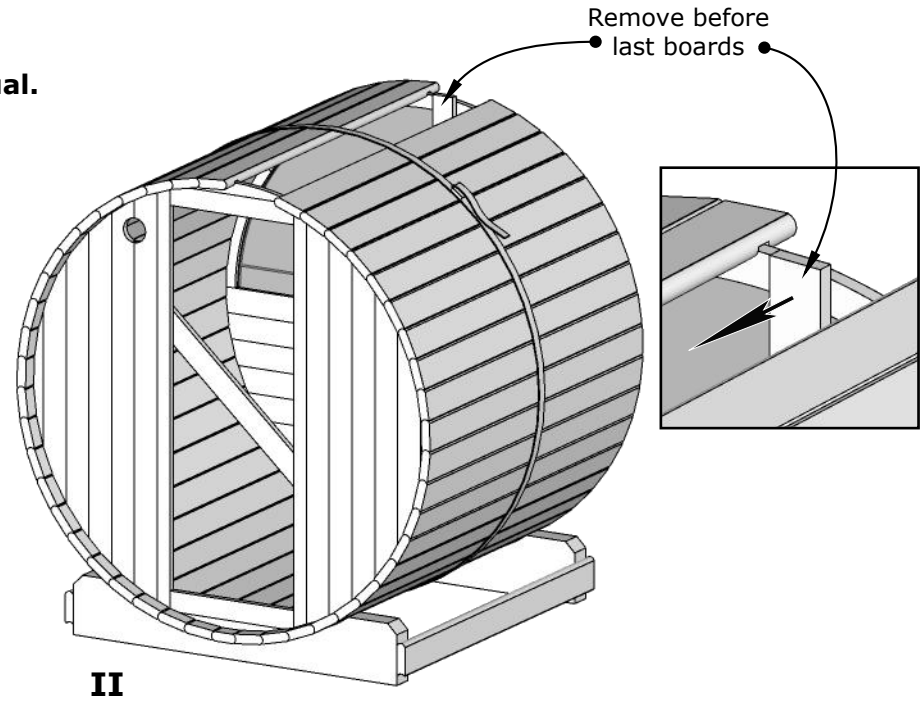


WARNING: Do not let screws touch glass!

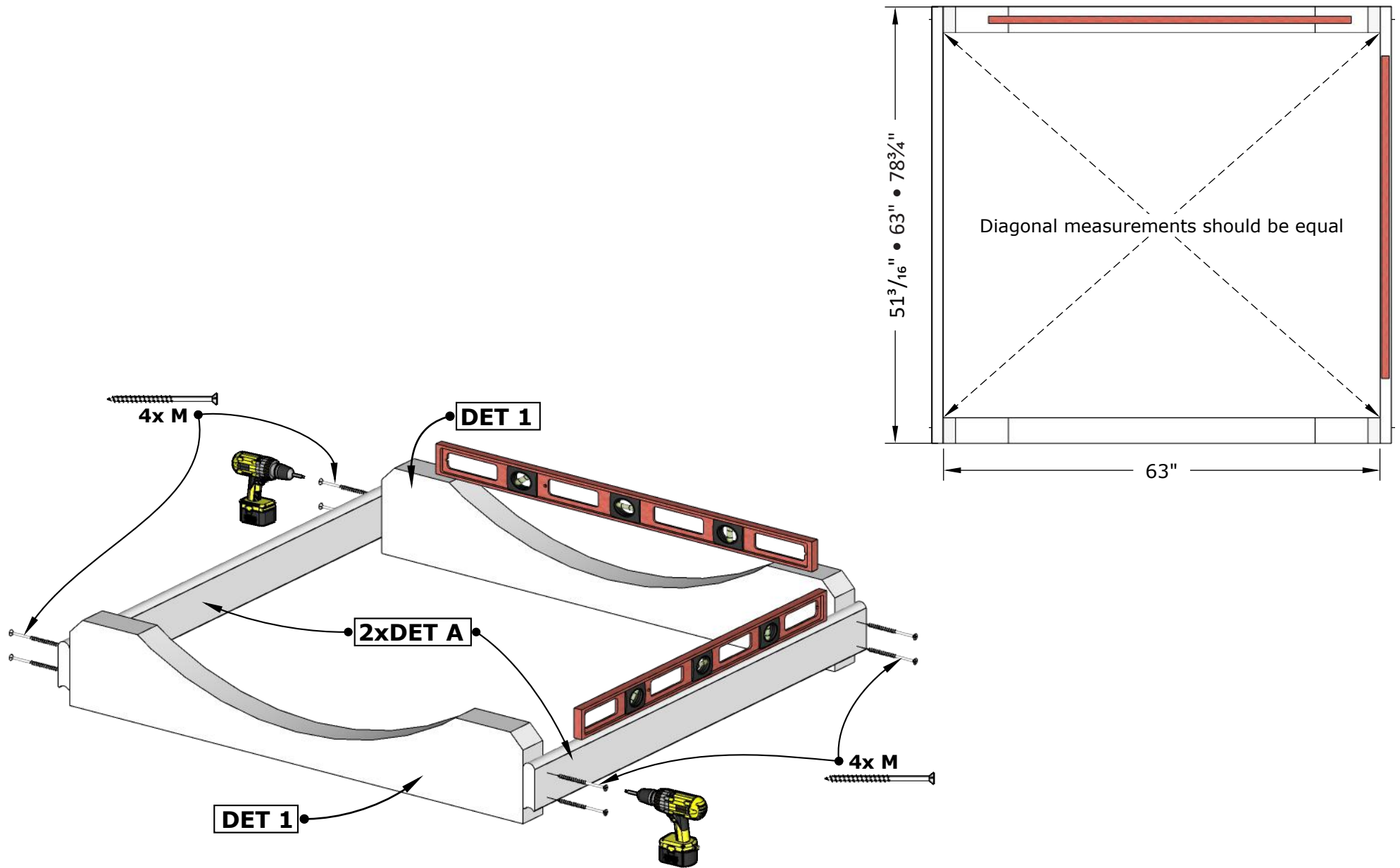
Half-moon wall installation



Check also main installation manual.

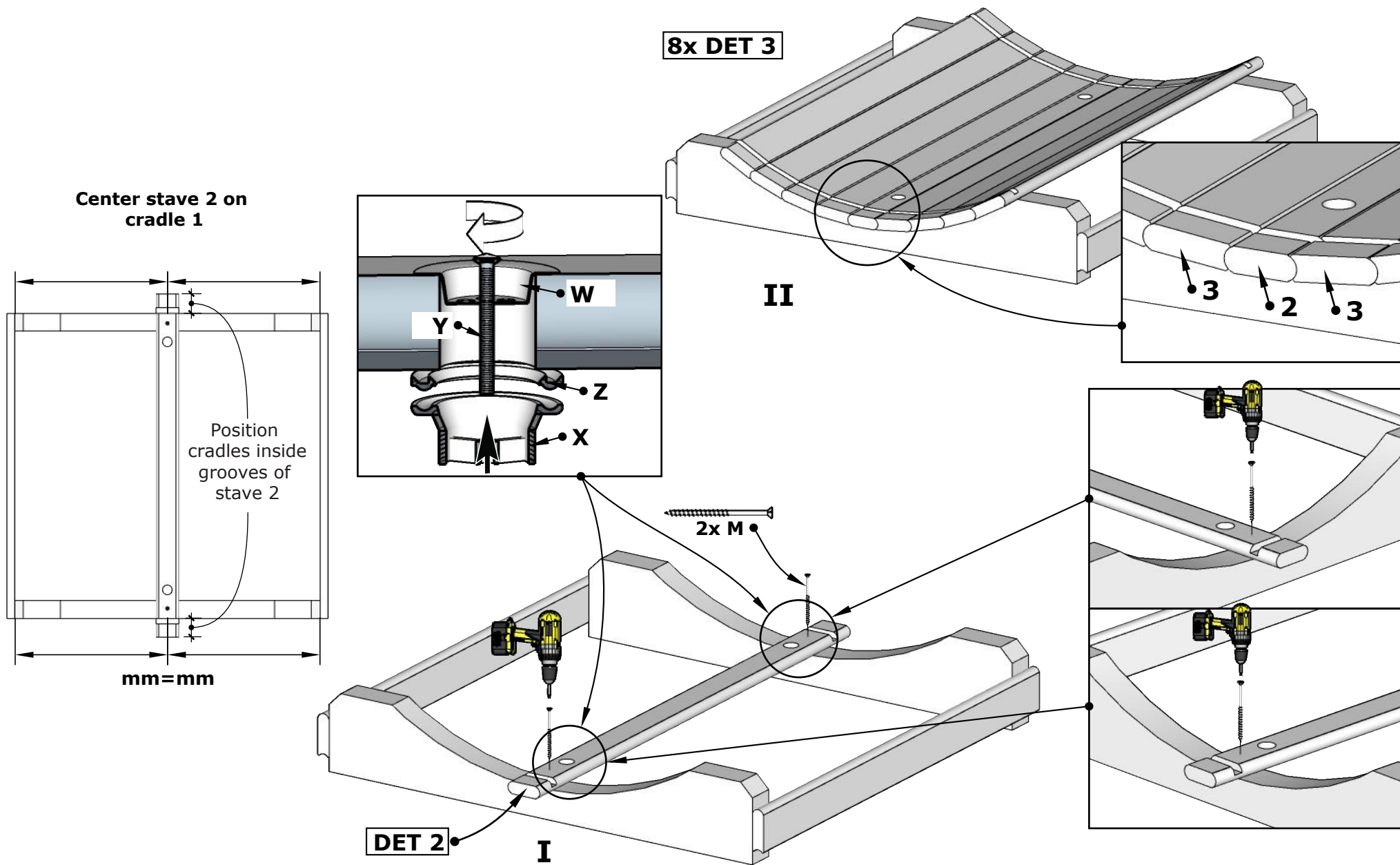


E6W Barrel Sauna 59D" x 81H"

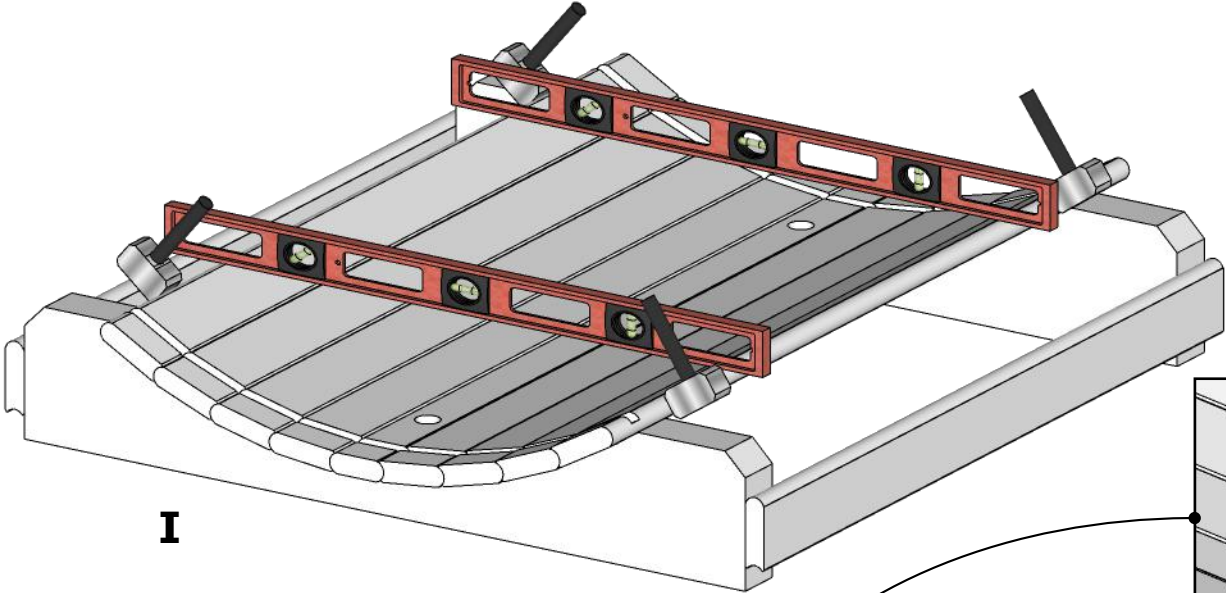


1.

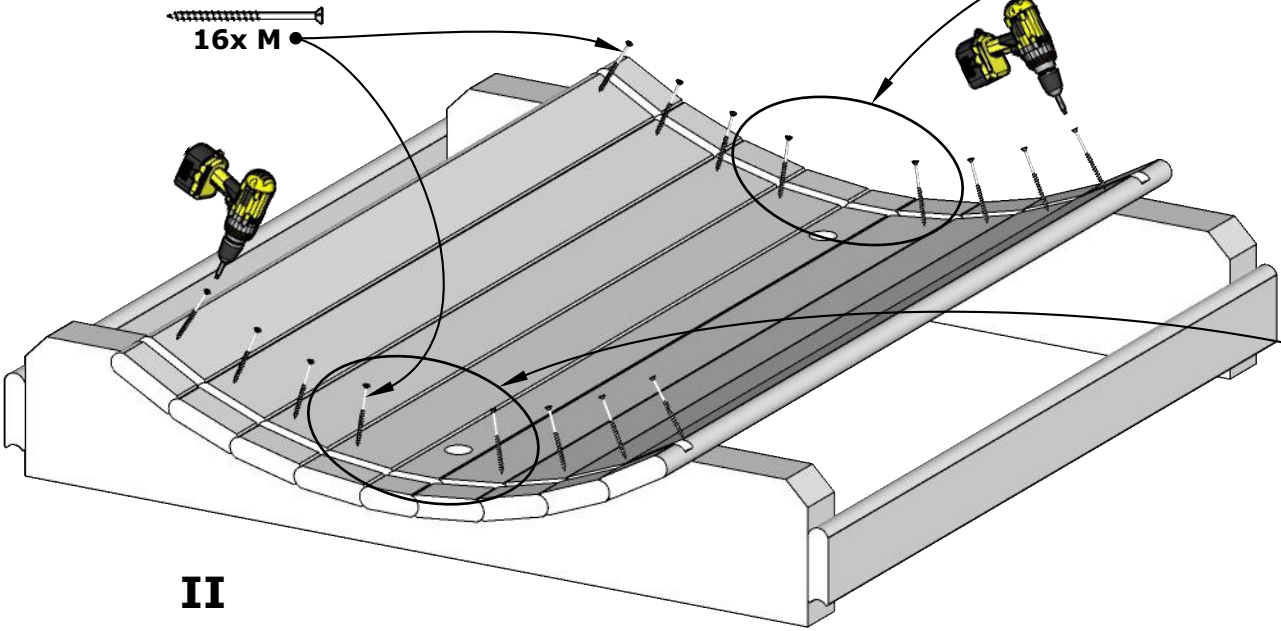
E6W Barrel Sauna 59D" x 81H"



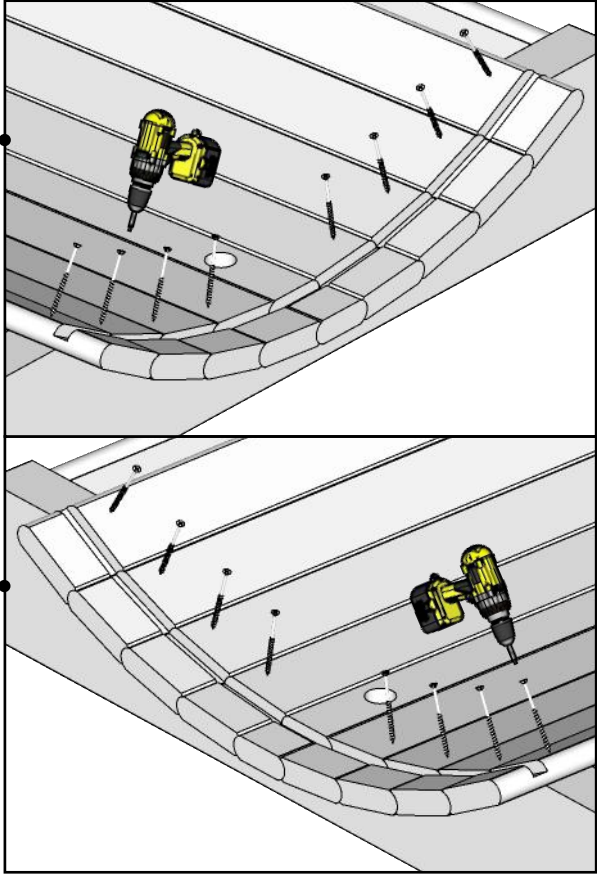
E6W Barrel Sauna 59D" x 81H"



I

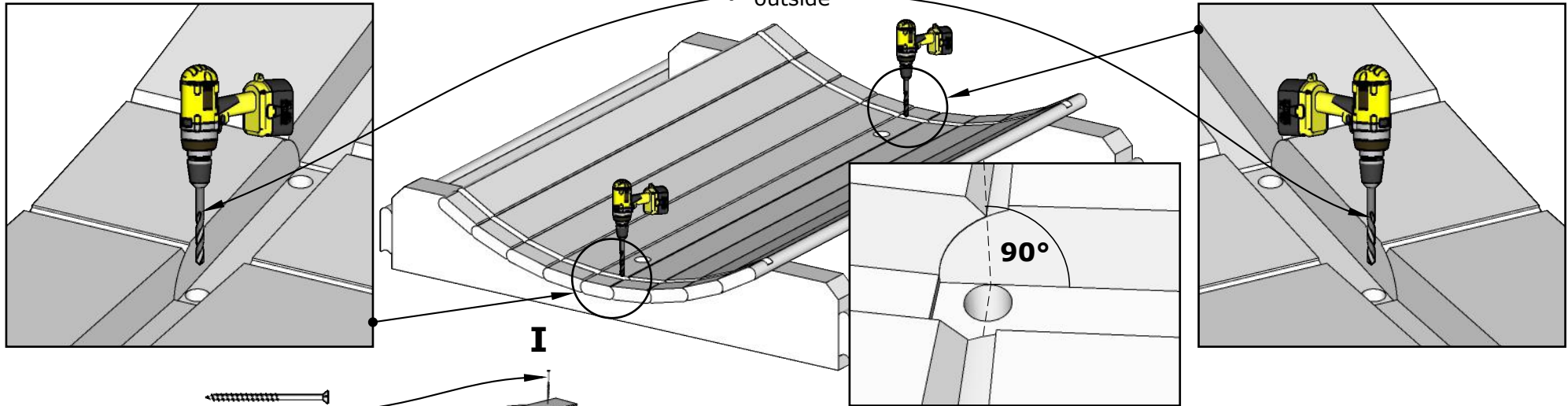


II



E6W Barrel Sauna 59D" x 81H"

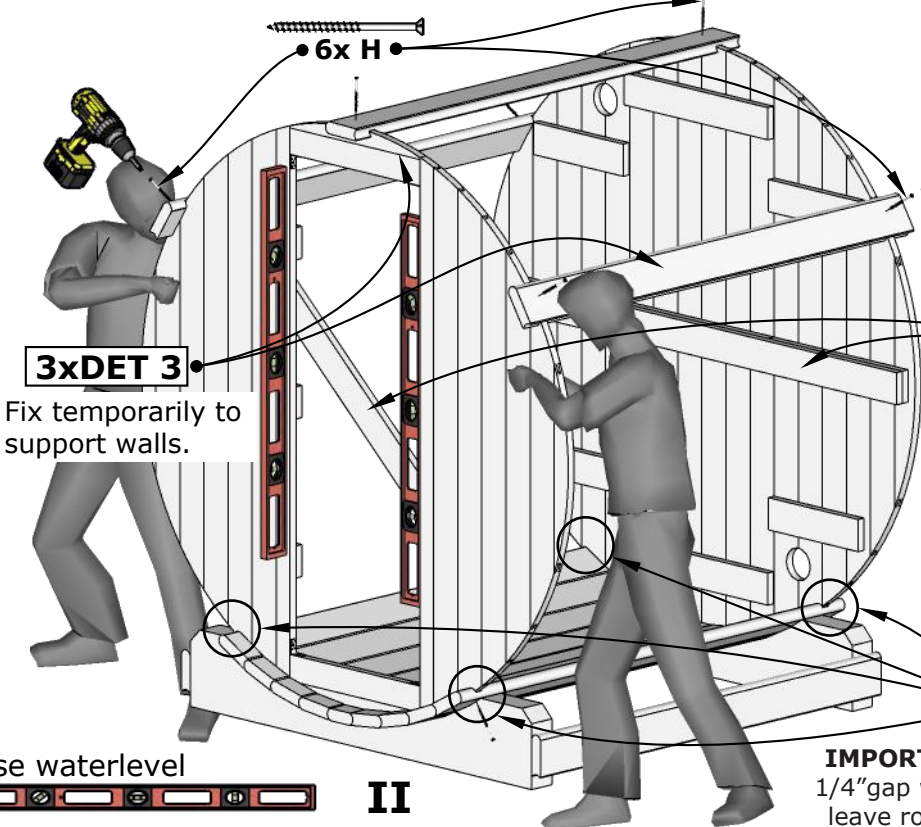
Drill 4 holes $\varnothing 1/2"$
through DET 2
outside



I

**Check walls installation
manual on extra pages!**

**Sauna wall configuration
depends on Your model!**



3xDET 3

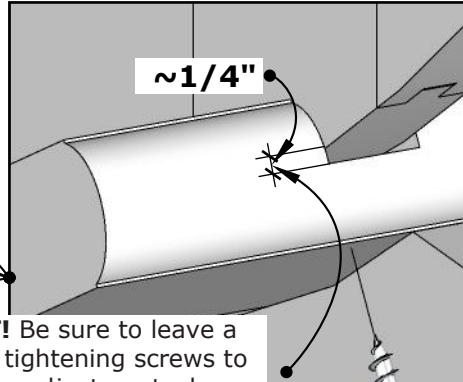
Fix temporarily to
support walls.

6x H

Brackets inside

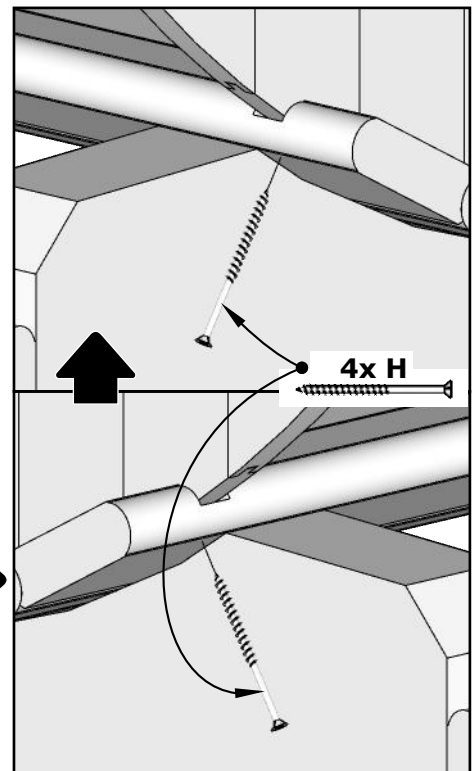
II

Use waterlevel



$\sim 1/4"$

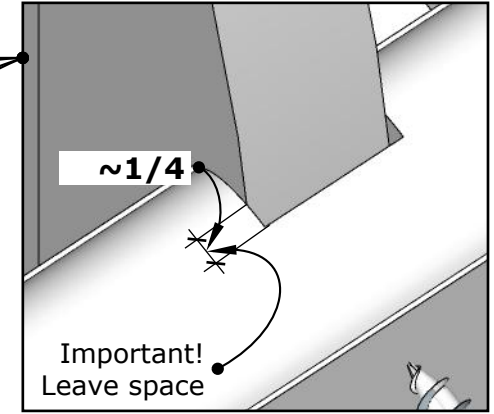
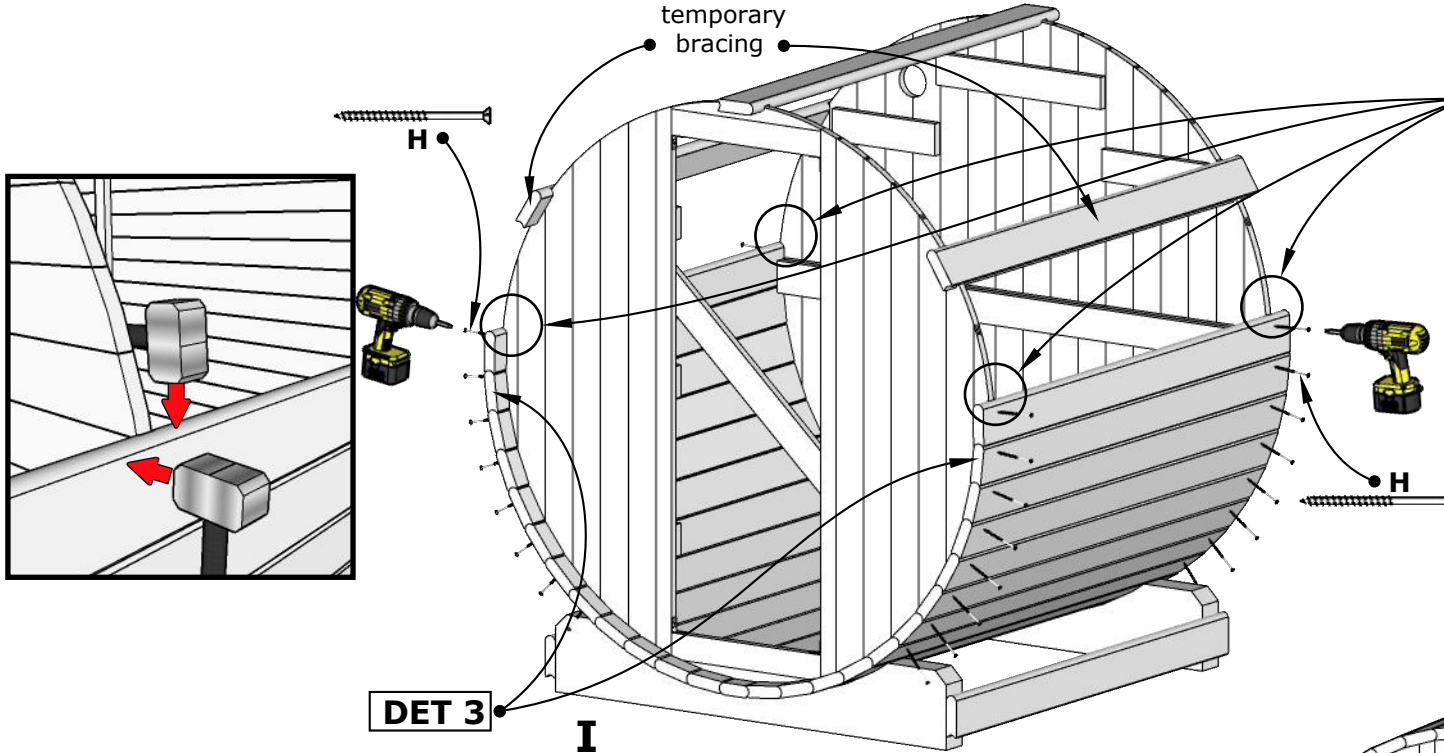
IMPORTANT! Be sure to leave a
 $1/4"$ gap when tightening screws to
leave room for adjustment when
the outer bands (B) are installed.



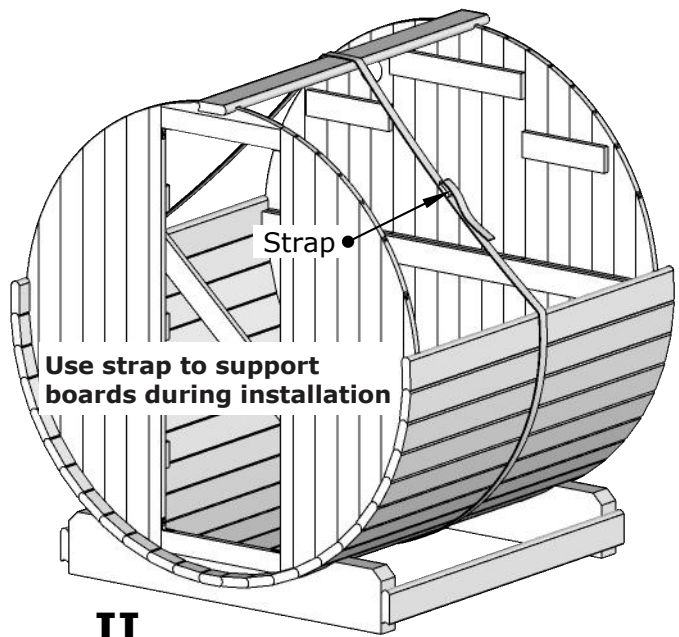
4x H

E6W Barrel Sauna 59D" x 81H"

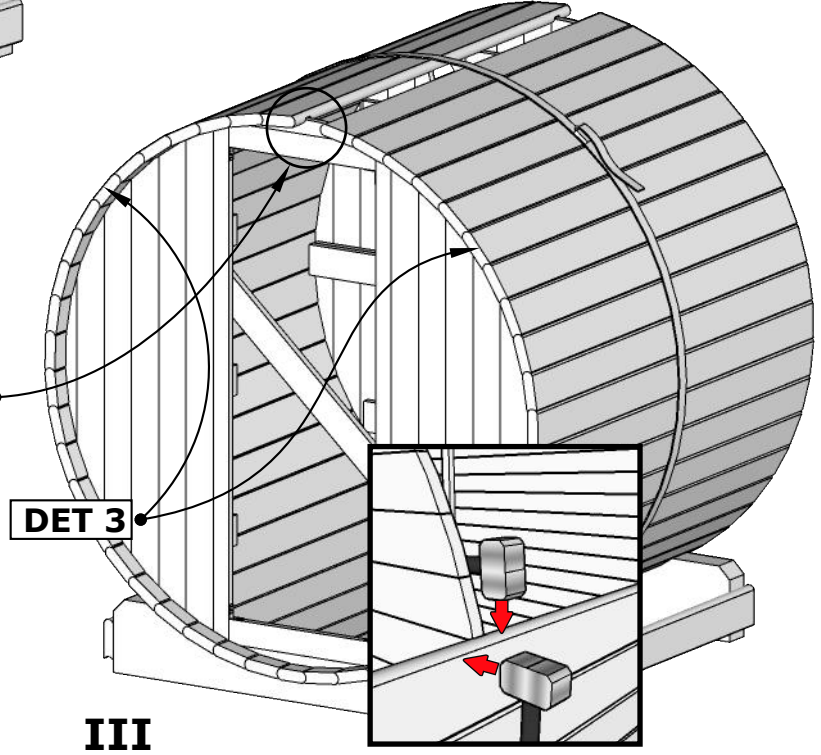
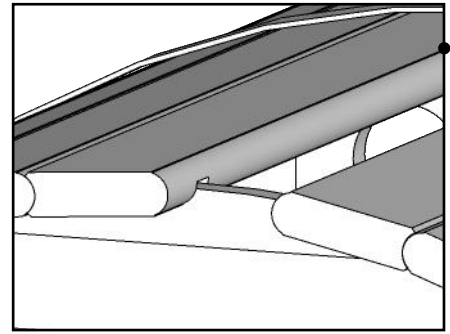
Remove temporary bracing



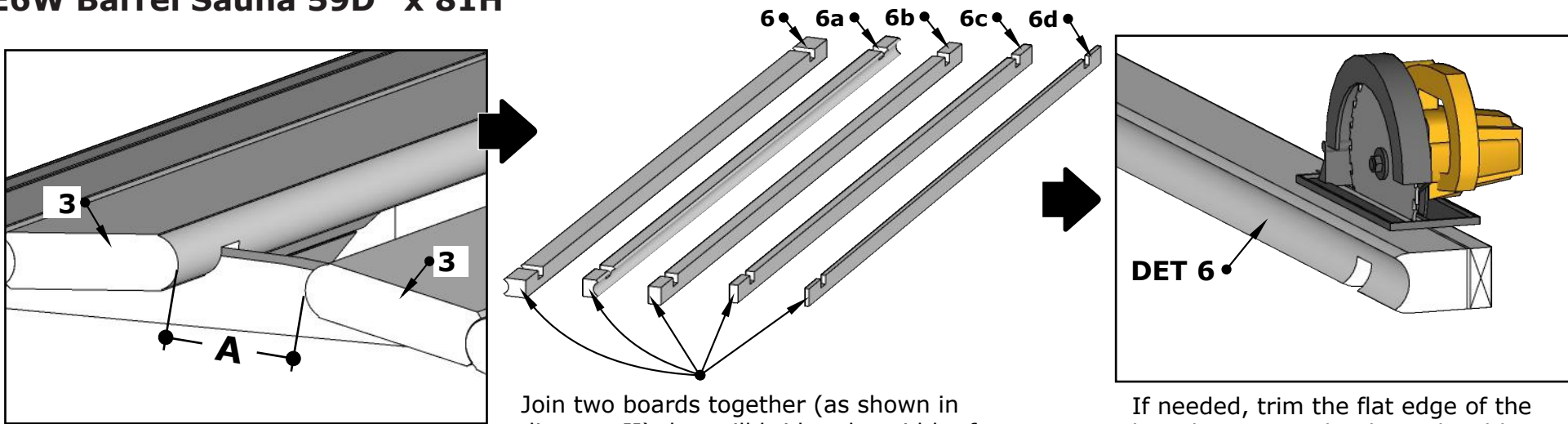
IMPORTANT! Be sure to leave a 1/4" gap when tightening screws to leave room for adjustment when the outer bands (B) are installed.



See the next page.



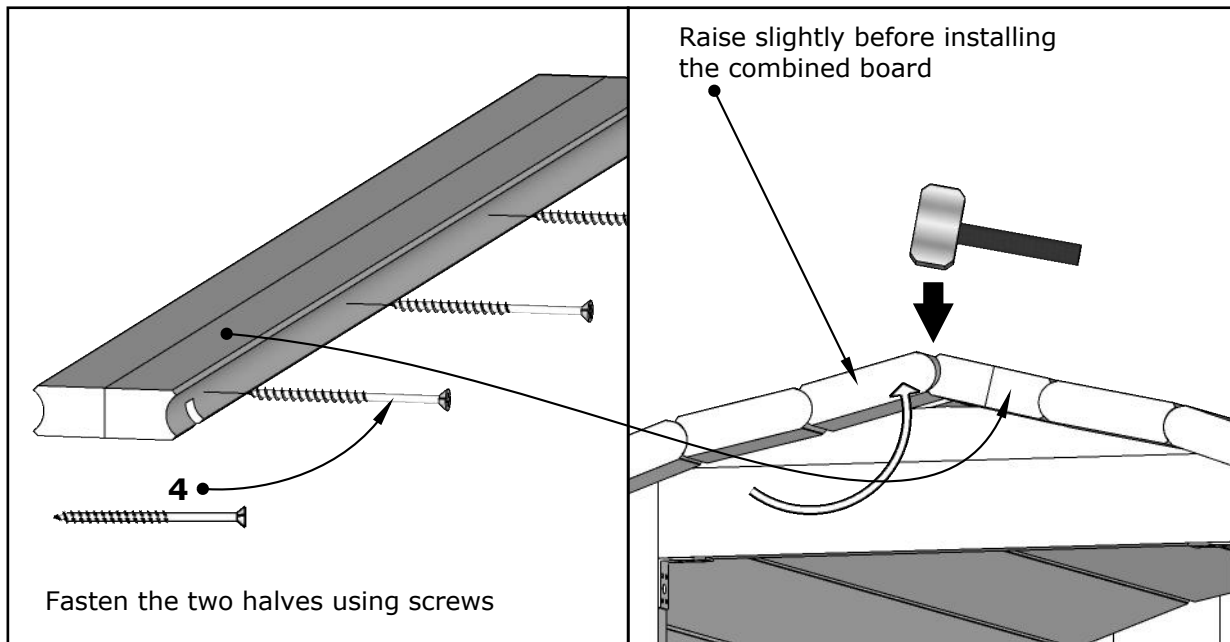
E6W Barrel Sauna 59D" x 81H"



I

Join two boards together (as shown in diagram II) that will bridge the width of the "A" gap. It is recommended that the combined boards are approximately 1/4" wider than the gap.

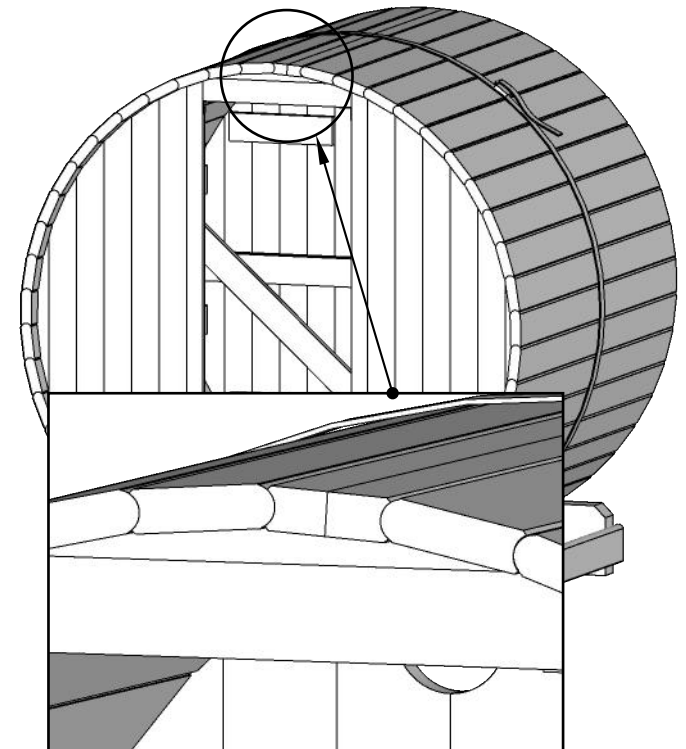
If needed, trim the flat edge of the board to create the desired width.



Fasten the two halves using screws

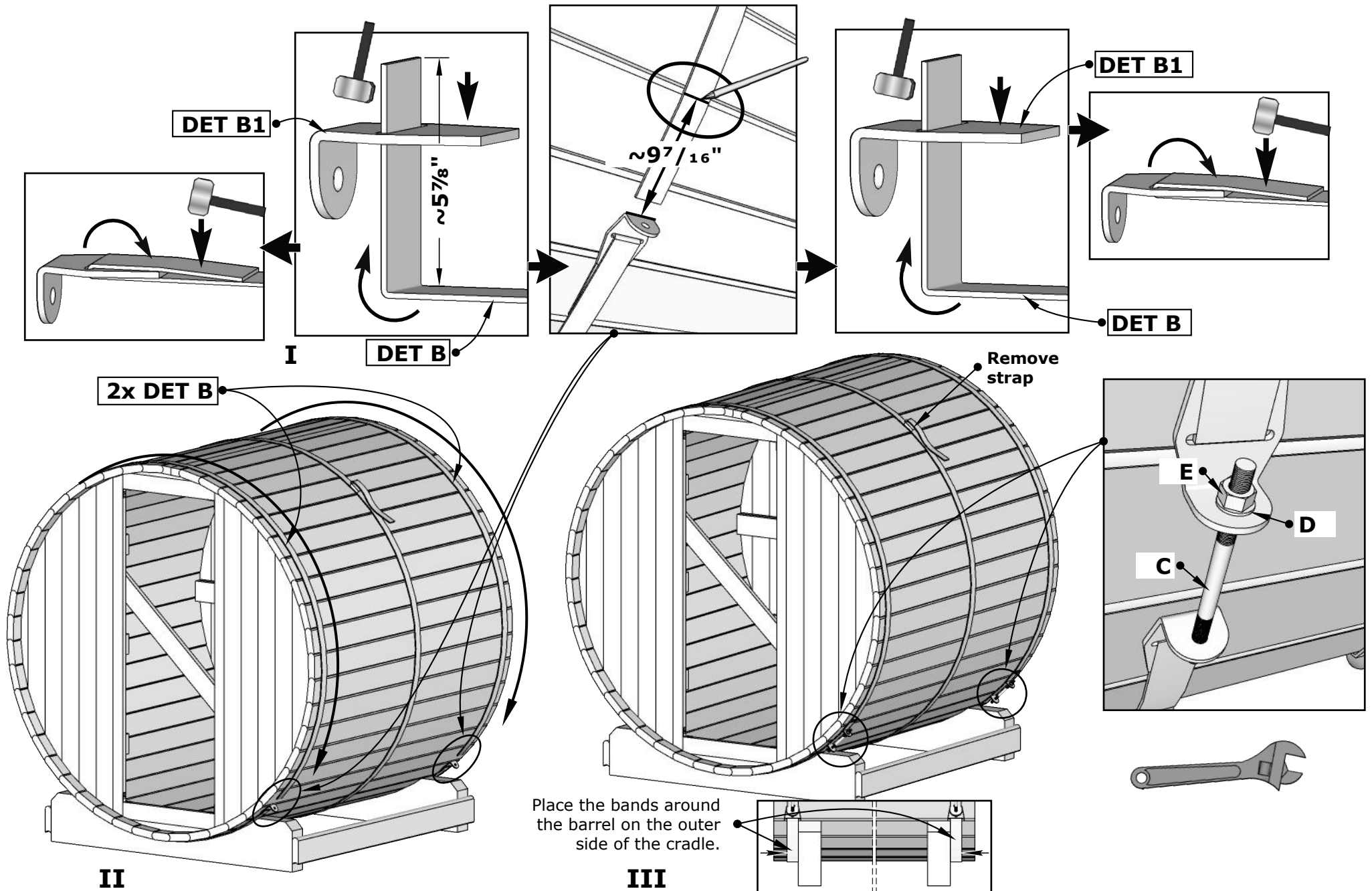
Raise slightly before installing the combined board

II



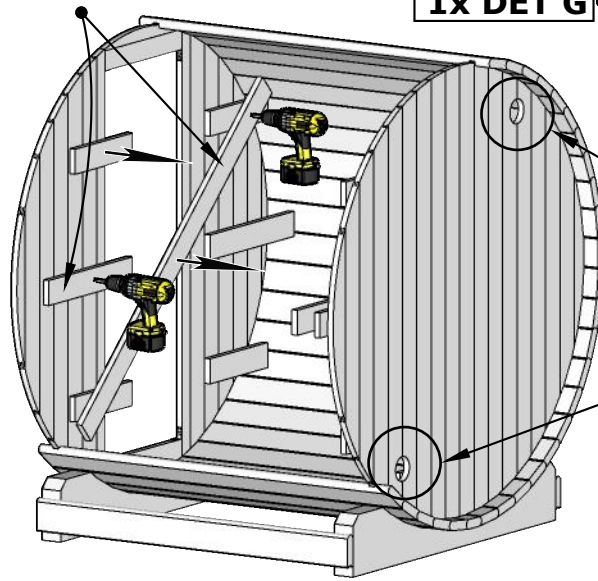
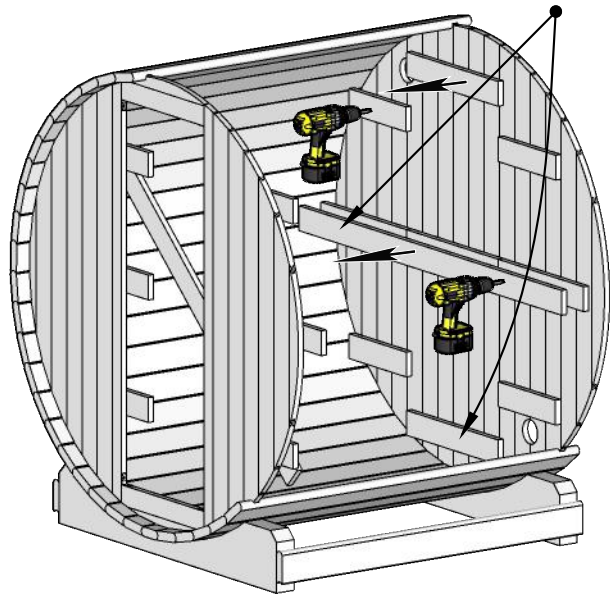
III

E6W Barrel Sauna 59D" x 81H"

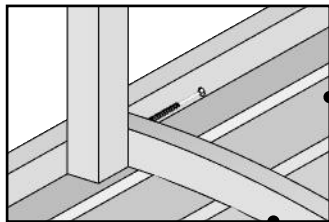
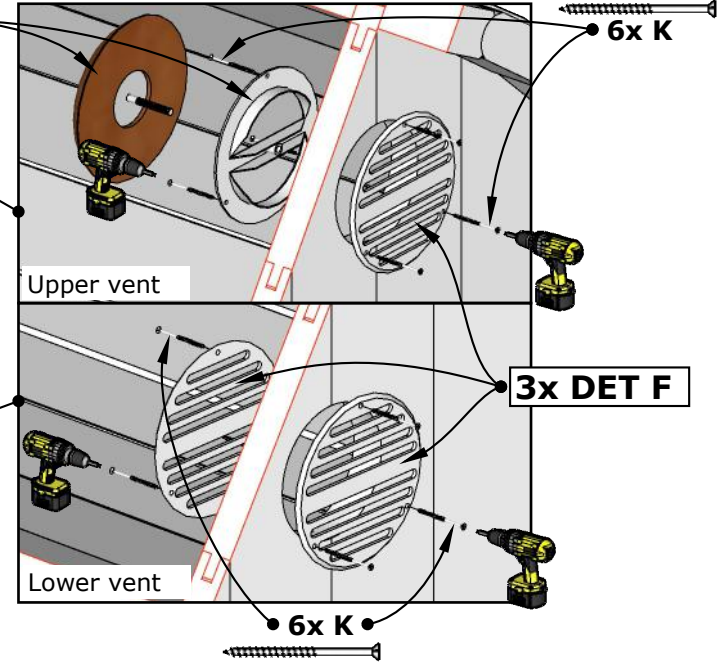


E6W Barrel Sauna 59D" x 81H"

Remove all temporary braces



1x DET G



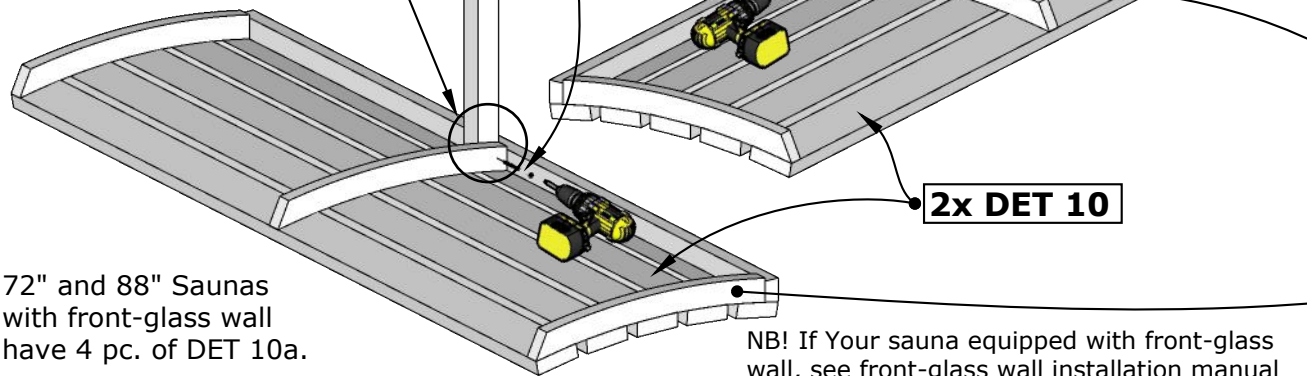
Pre-drill holes $\text{\O}5/32''$ before screws.

I

2x DET 10a

2x H

2x DET 10

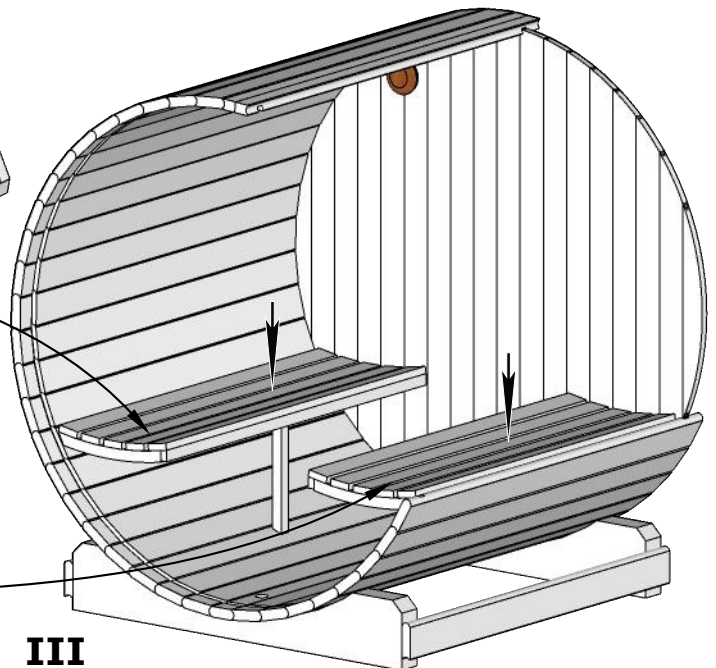


72" and 88" Saunas with front-glass wall have 4 pc. of DET 10a.

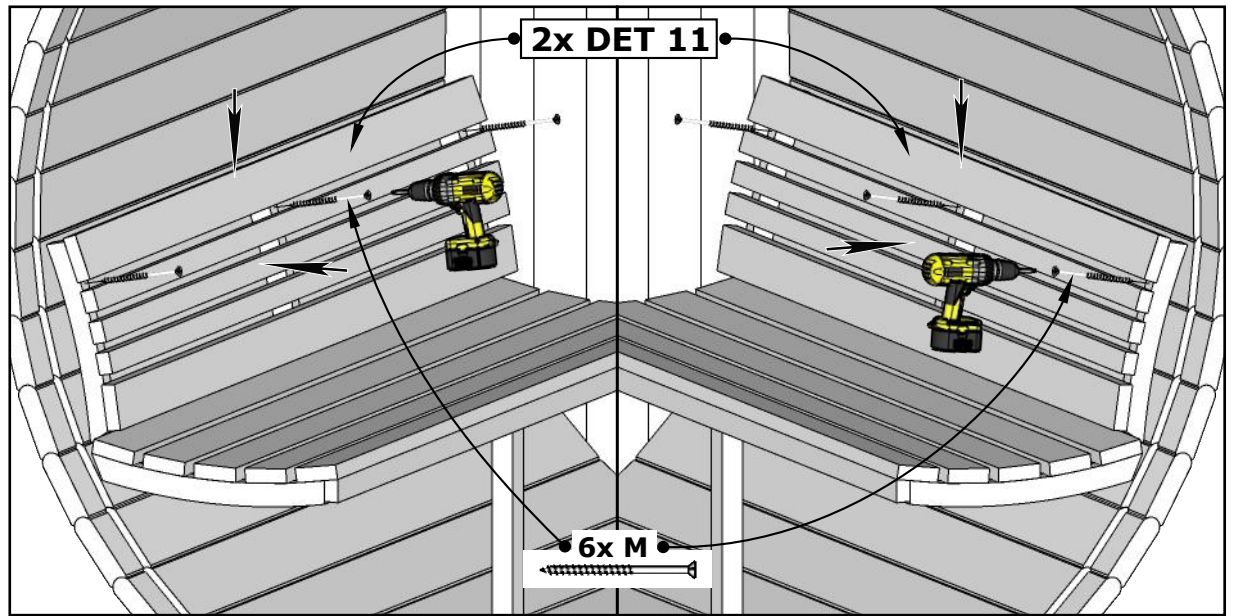
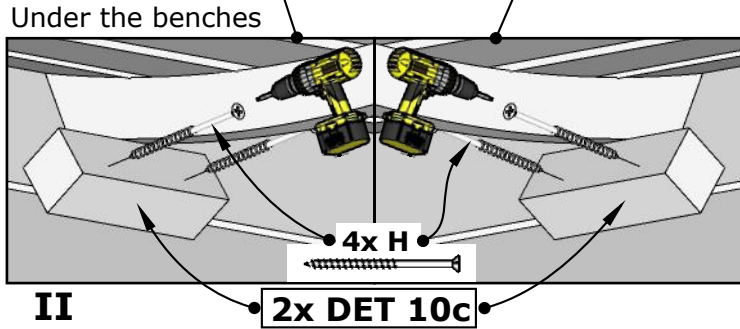
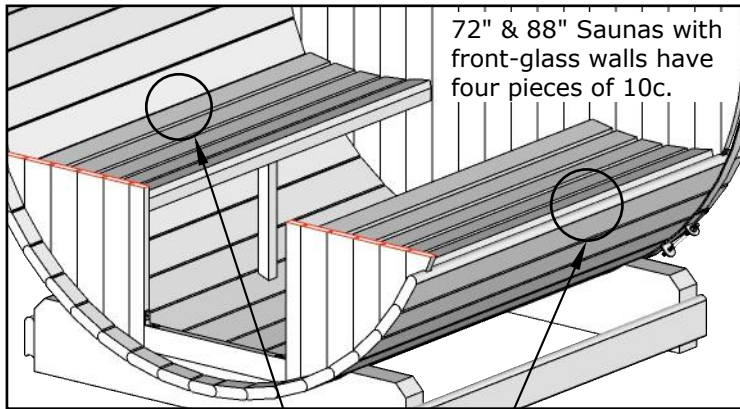
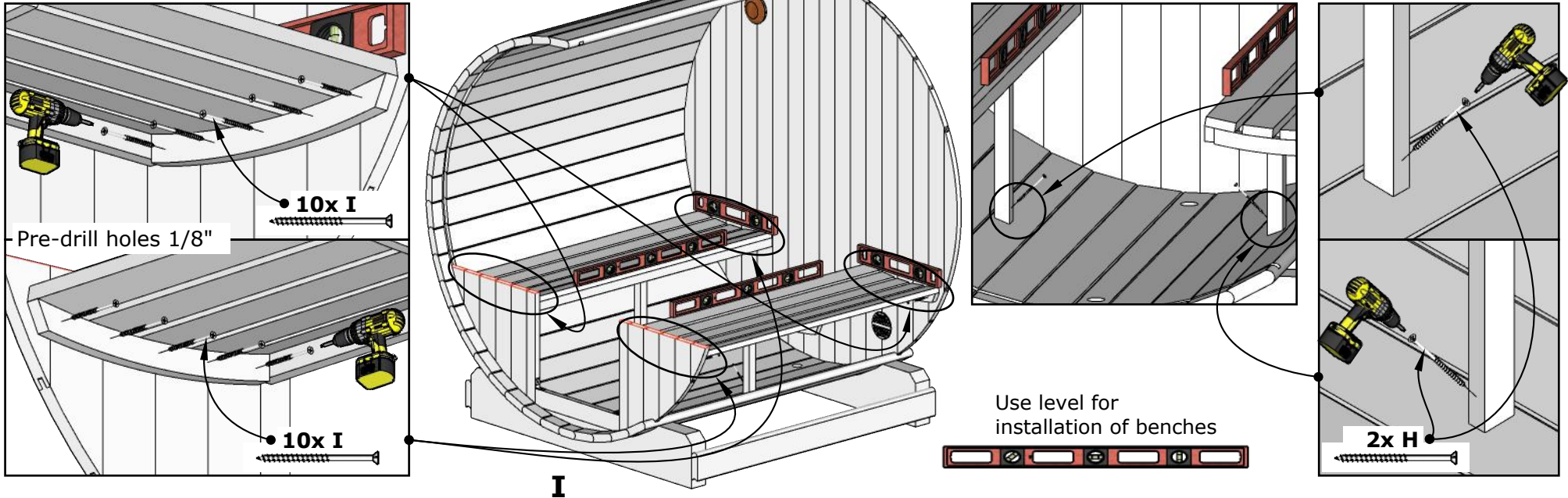
II

NB! If Your sauna equipped with front-glass wall, see front-glass wall installation manual for proper benches installation.

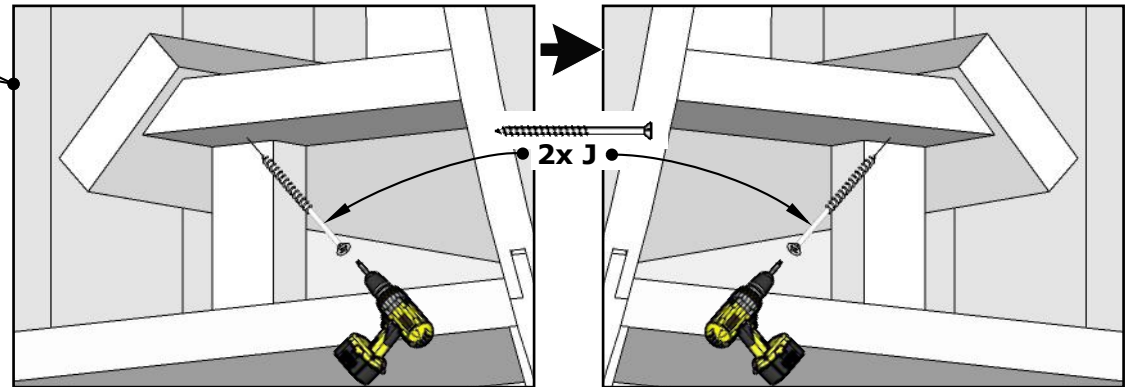
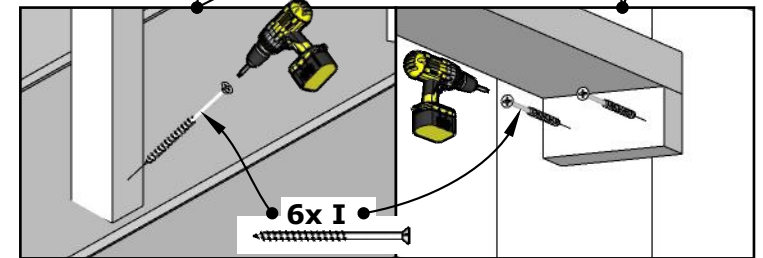
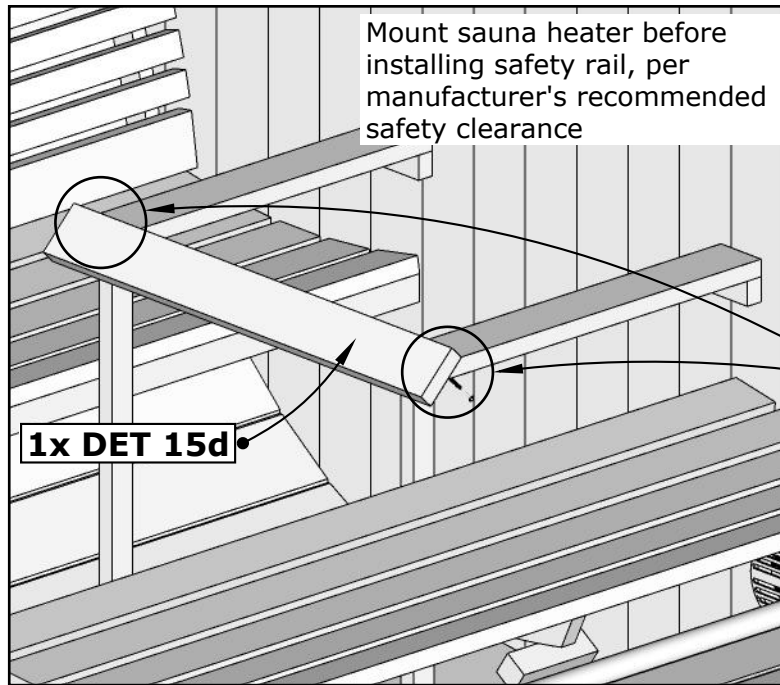
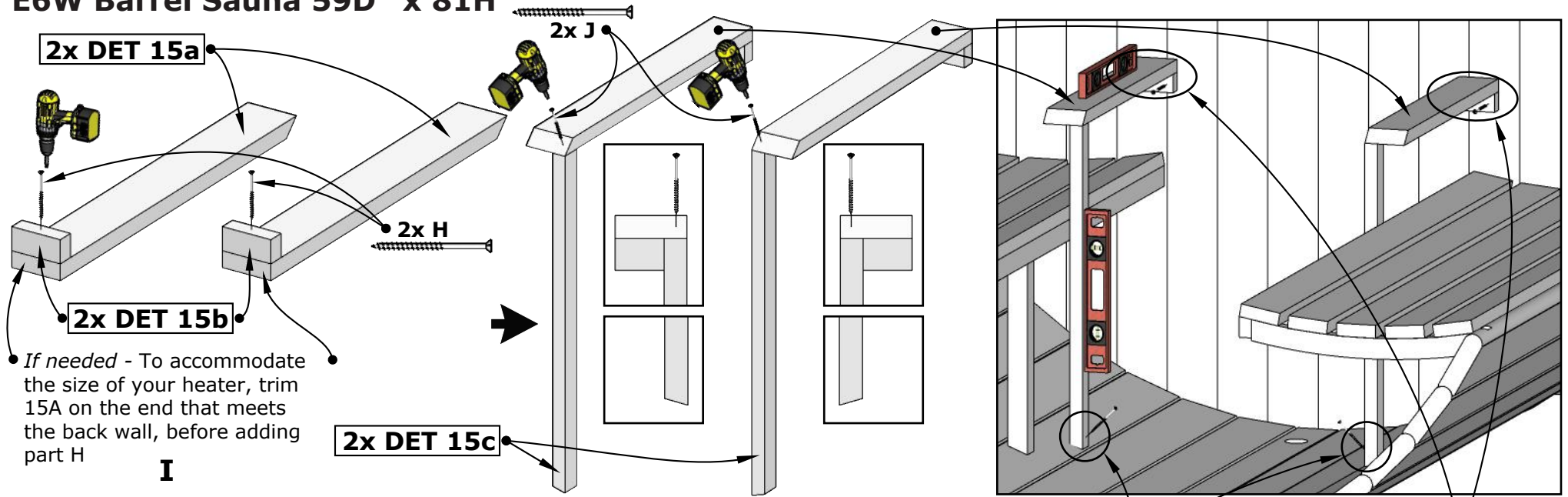
III



E6W Barrel Sauna 59D" x 81H"

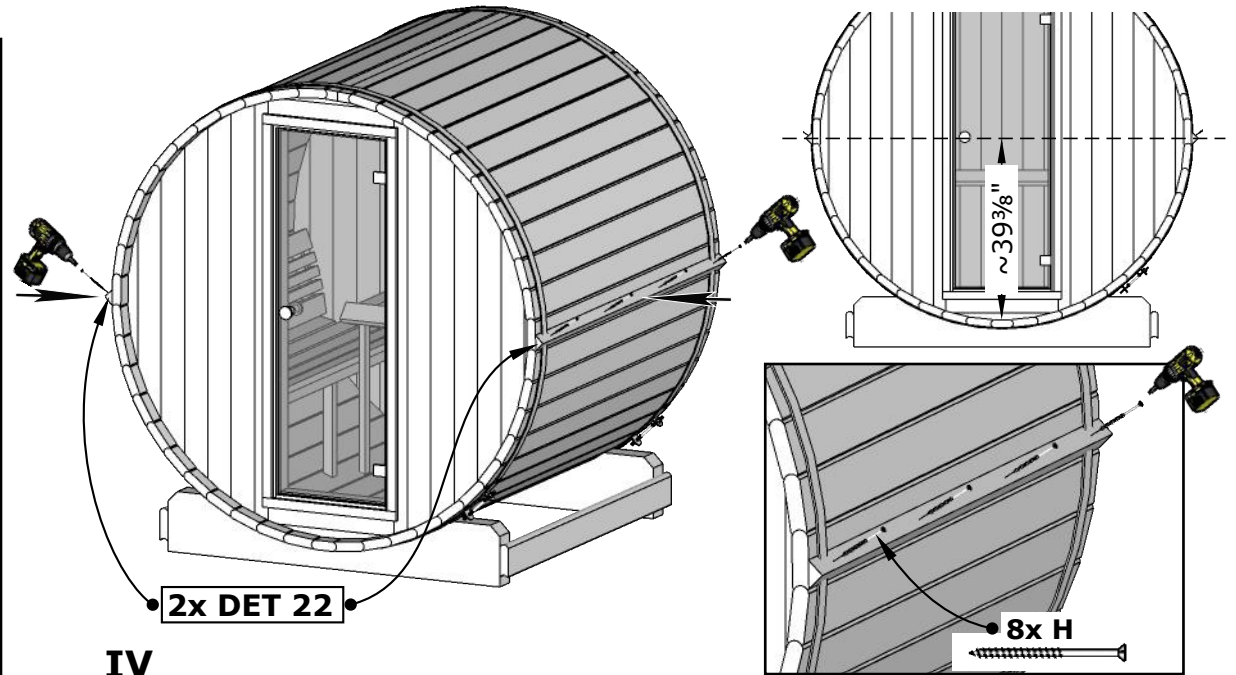
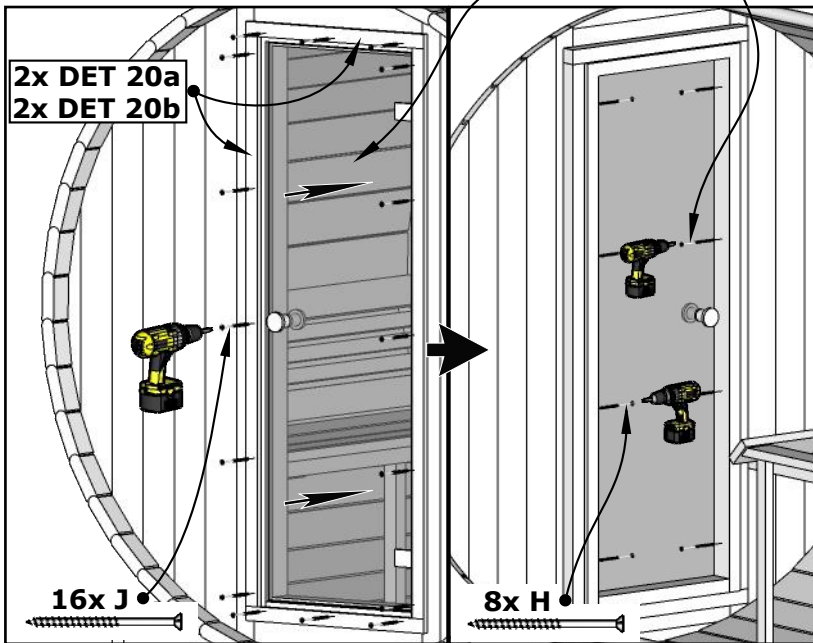
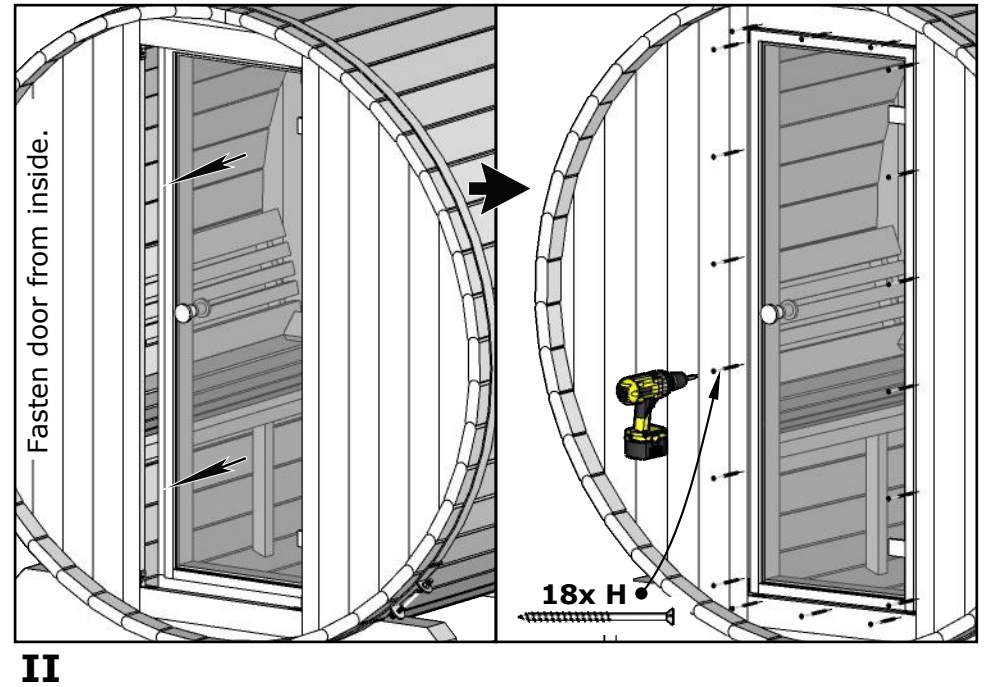
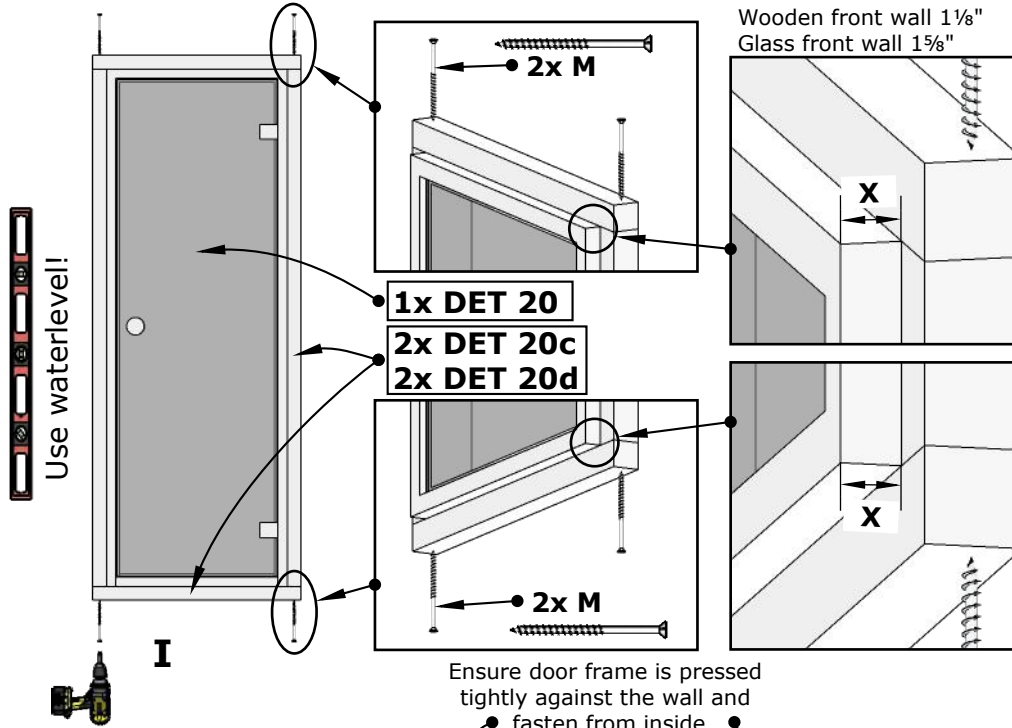


E6W Barrel Sauna 59D" x 81H"



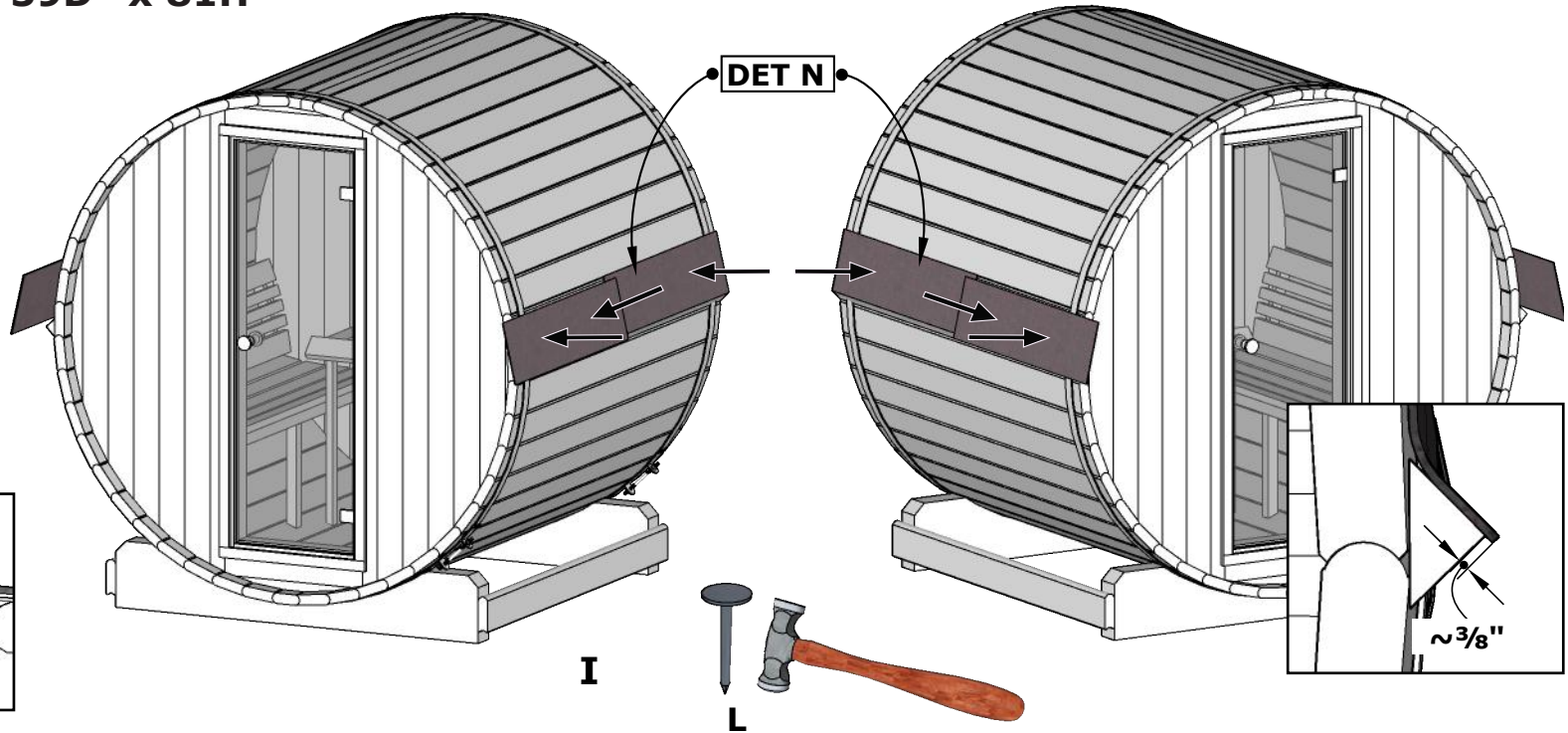
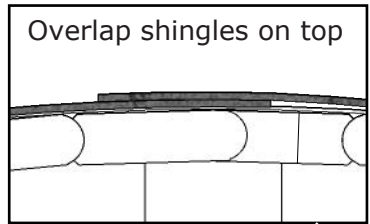
E6W Barrel Sauna 59D" x 81H"

X= Front wall thickness
 Wooden front wall 1 1/8"
 Glass front wall 1 5/8"

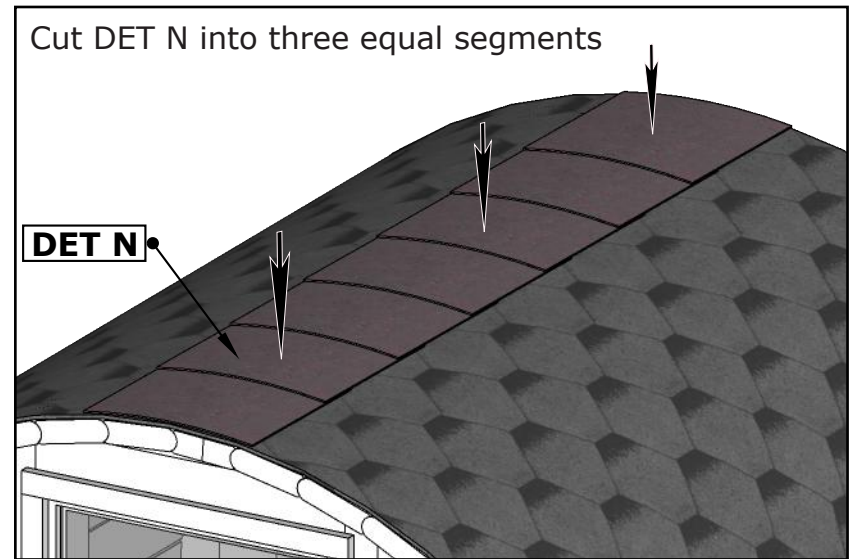
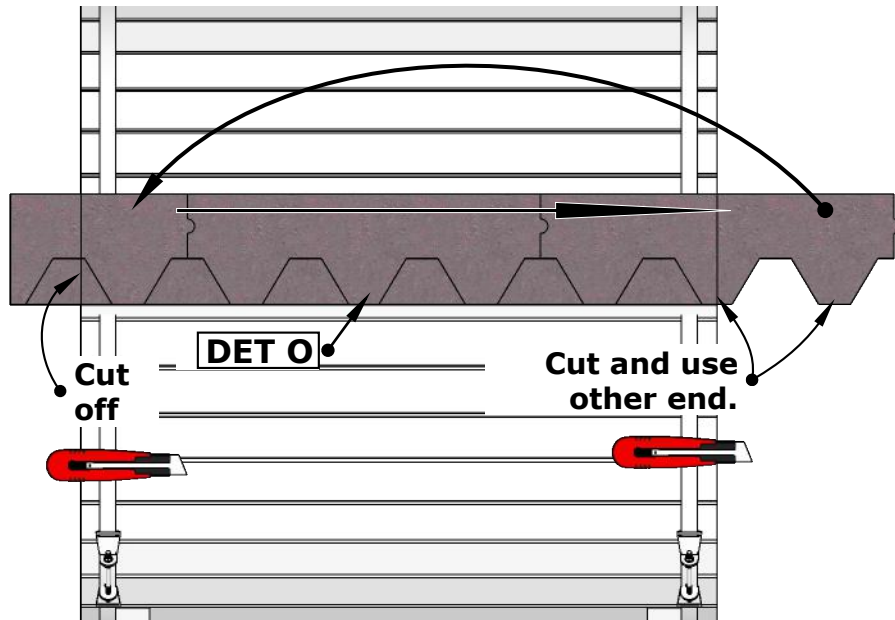


E6W Barrel Sauna 59D" x 81H"

See the installation manual inside the shingles package



Check also roof shingles installation manual inside package.



E6W Barrel Sauna 59D" x 81H"

