



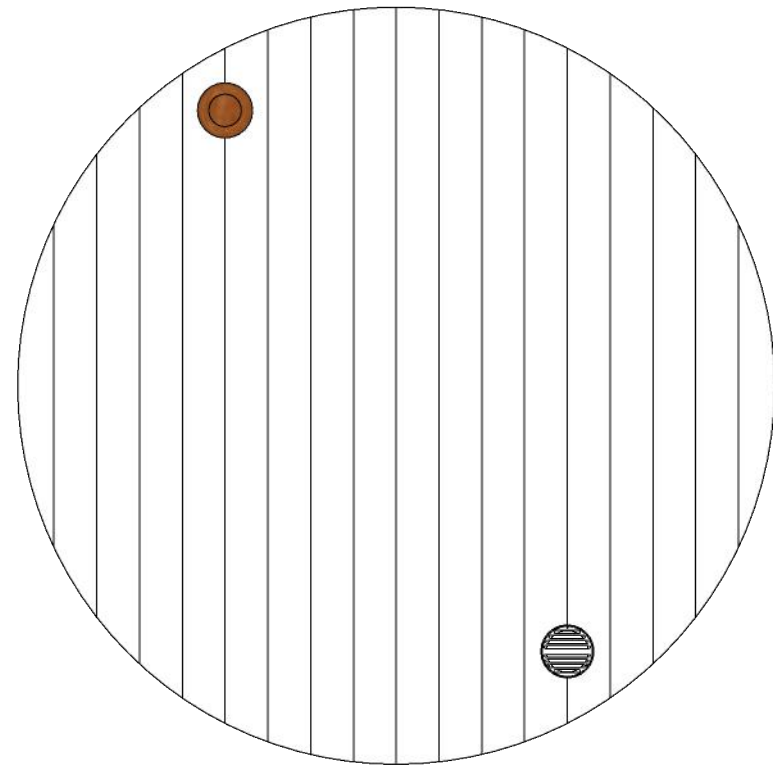
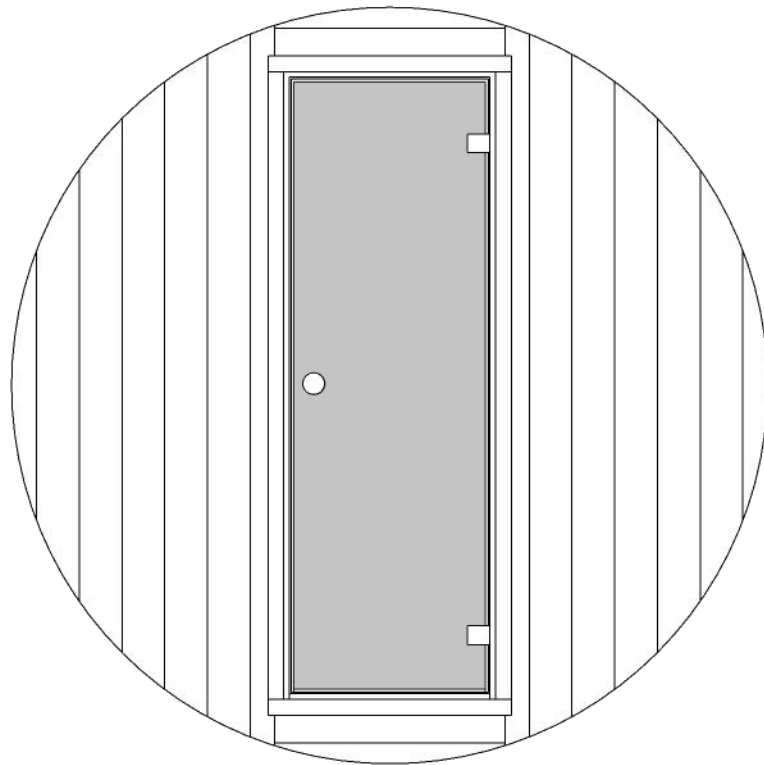
Ergo-Series E6 Barrel Sauna  
59D" x 81H"



**Note: Please read manual before construction**

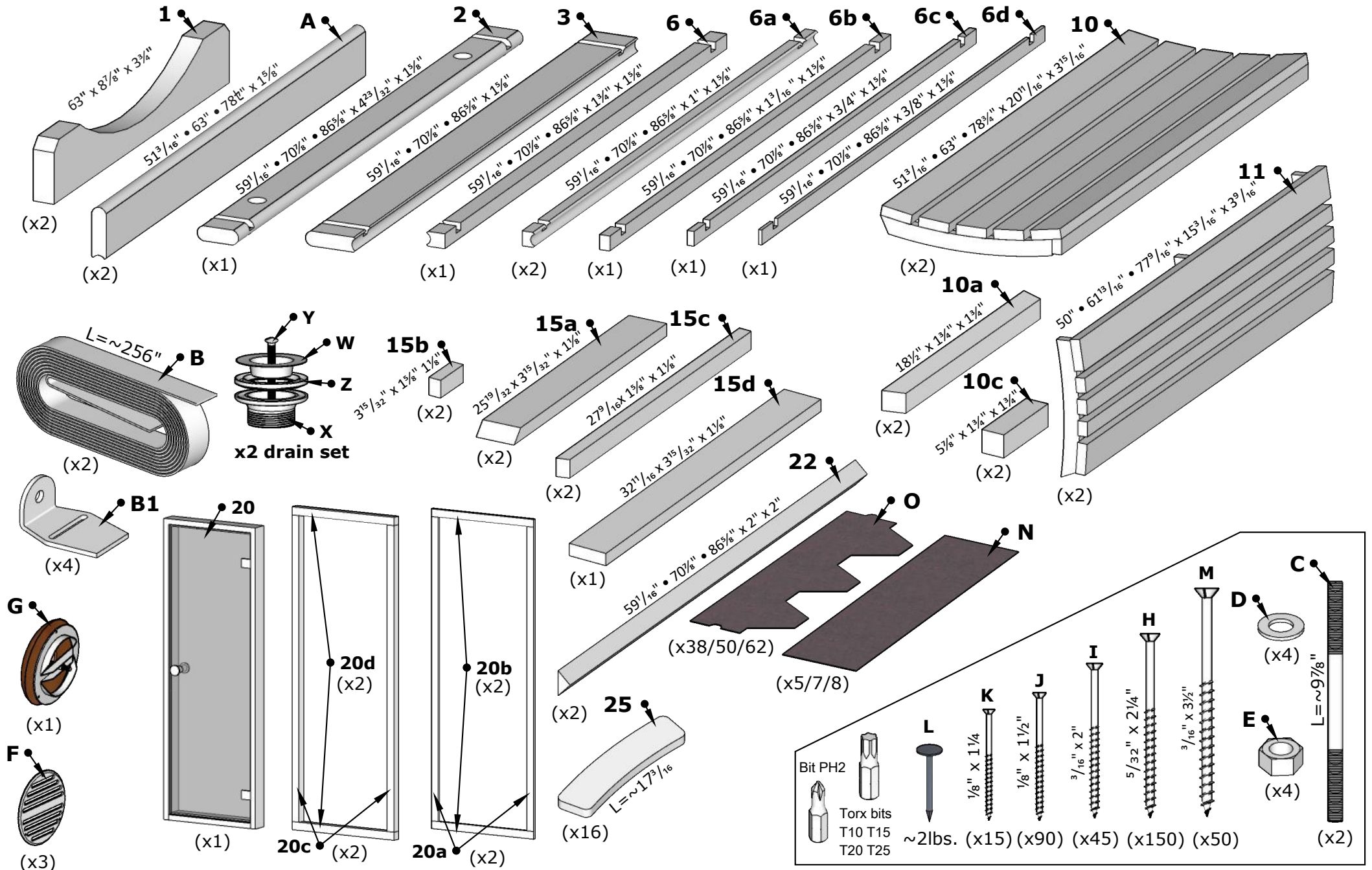
Rev 4/2023

# Front & Back Walls

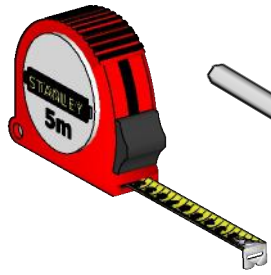


# E6 Barrel Sauna 59D" x 81H"

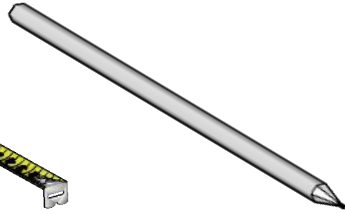
## Details list.



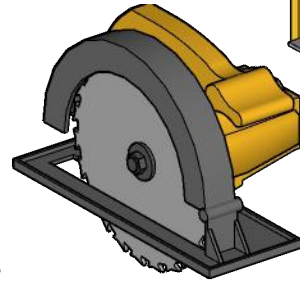
# Tools needed



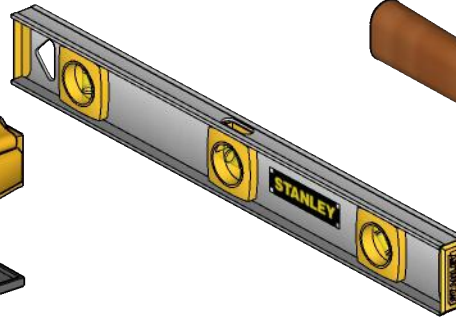
Measuring tape



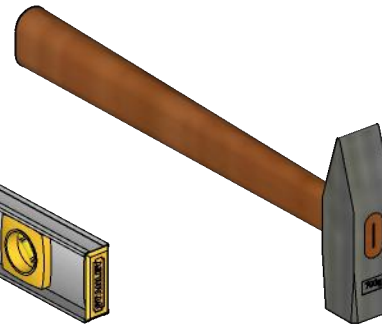
Marker pen



Circular saw



Water level



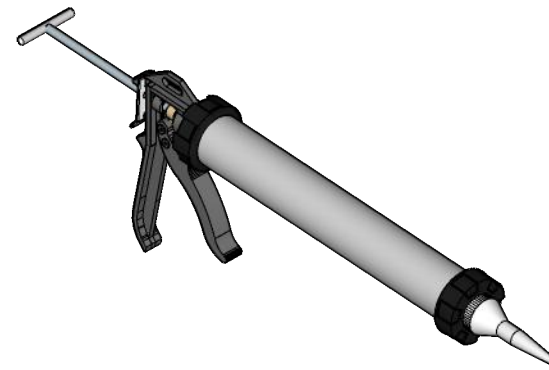
Hammer



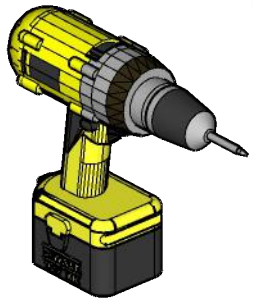
Extra hands



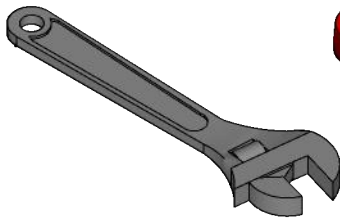
Ratchet strap



Silicone gun  
(Only glass-wall models)



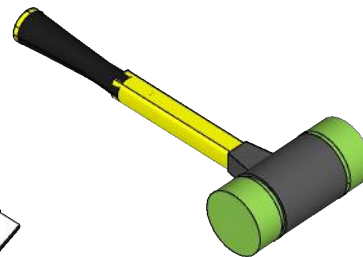
Drill



Crescent wrench



Utility knife

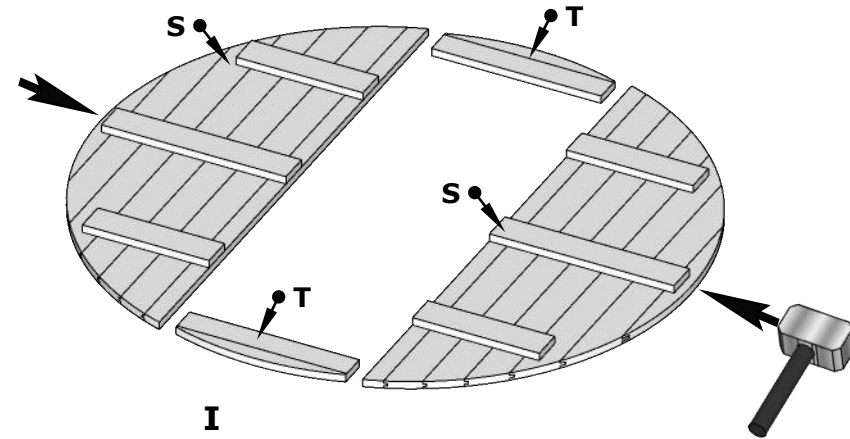
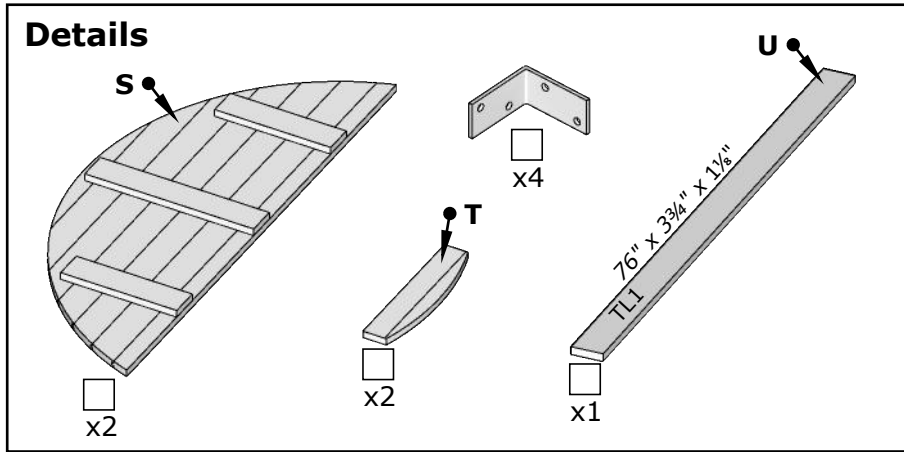


Rubber mallet



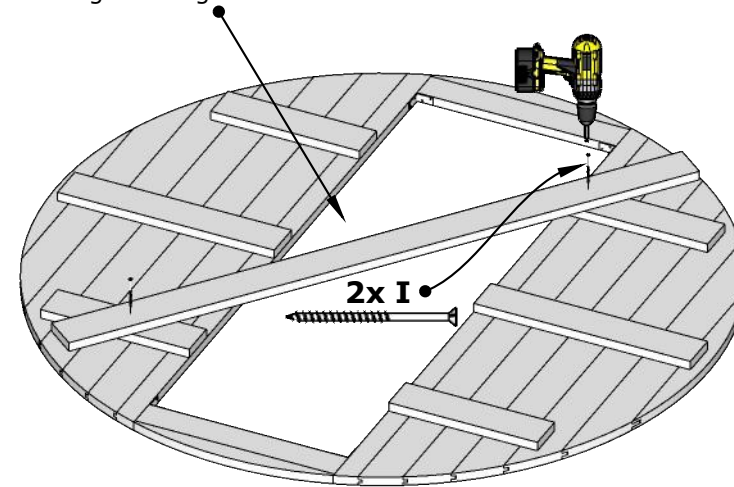
# Wooden front wall installation

## Details

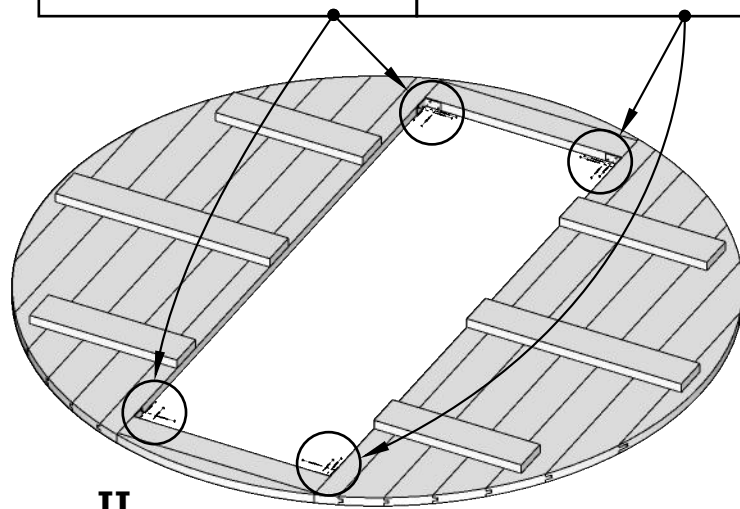
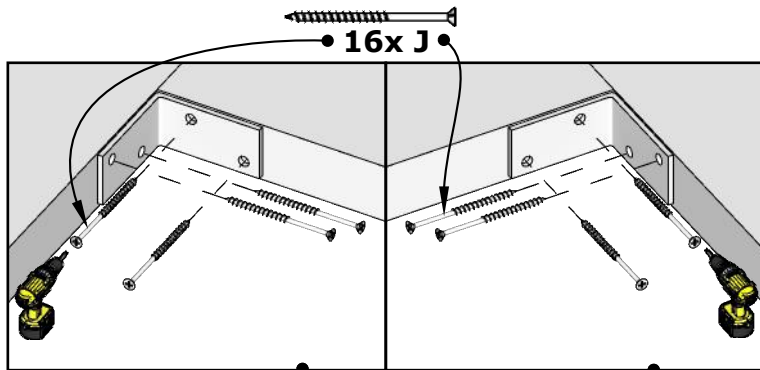


I

DET U Fix it diagonally to make wall more rigid during the installation.

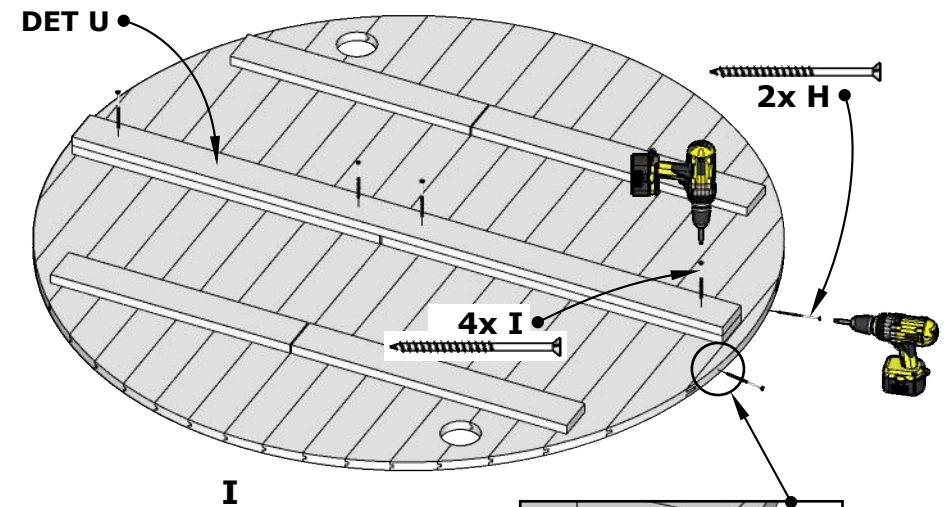
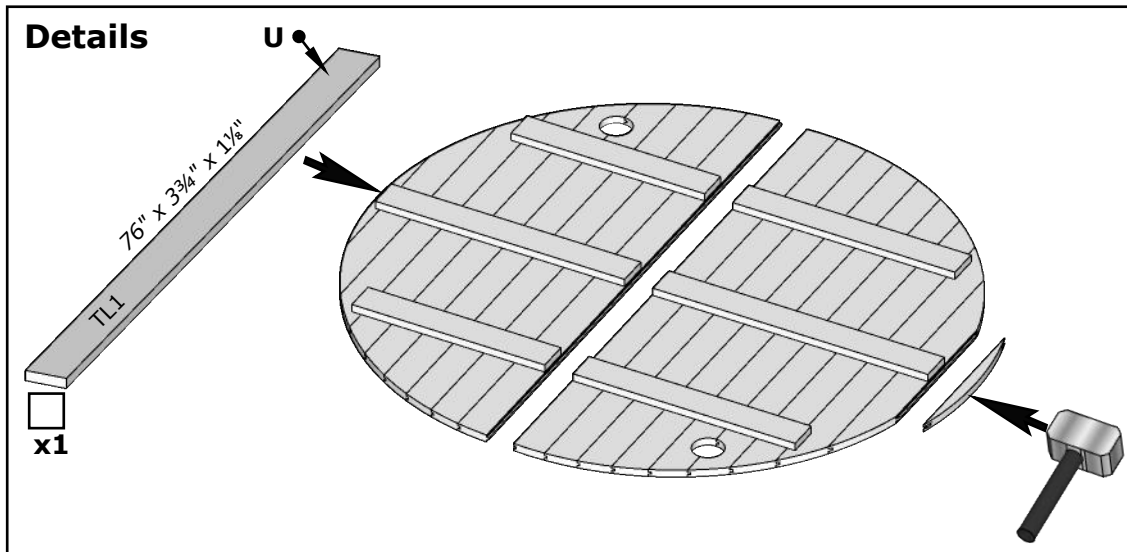


III

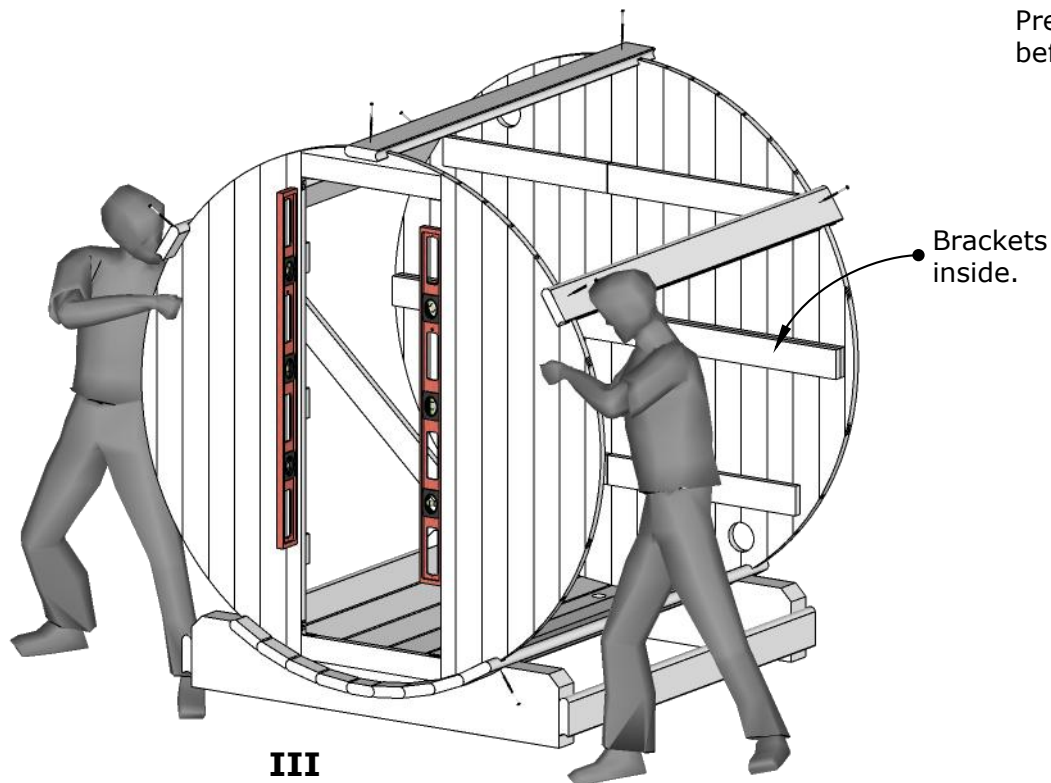
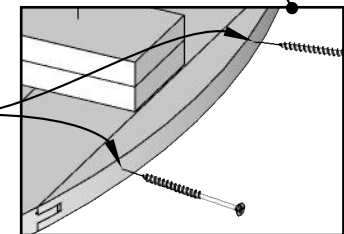


II

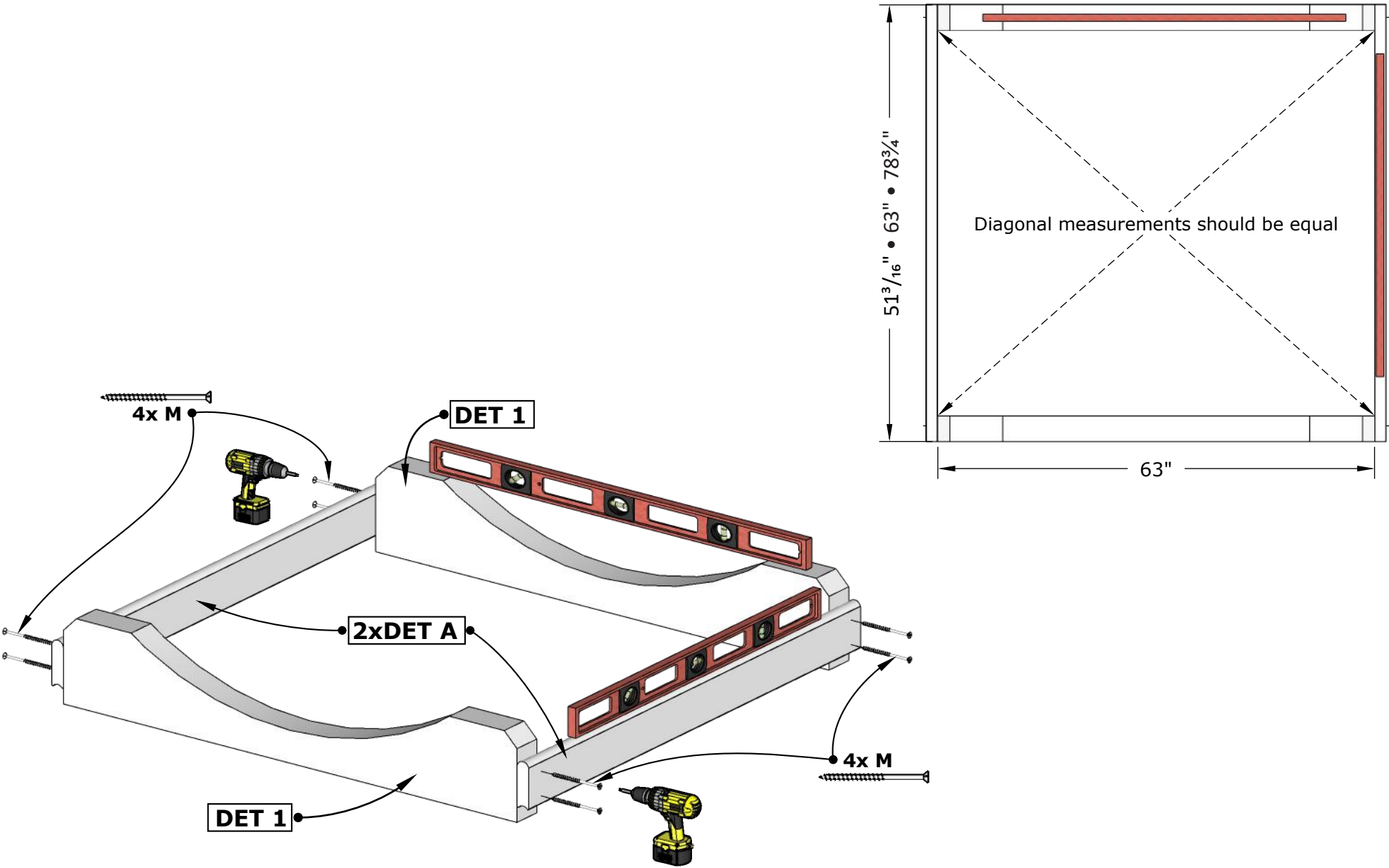
# Wooden back wall installation



Pre-drill holes 5/32" before screws.

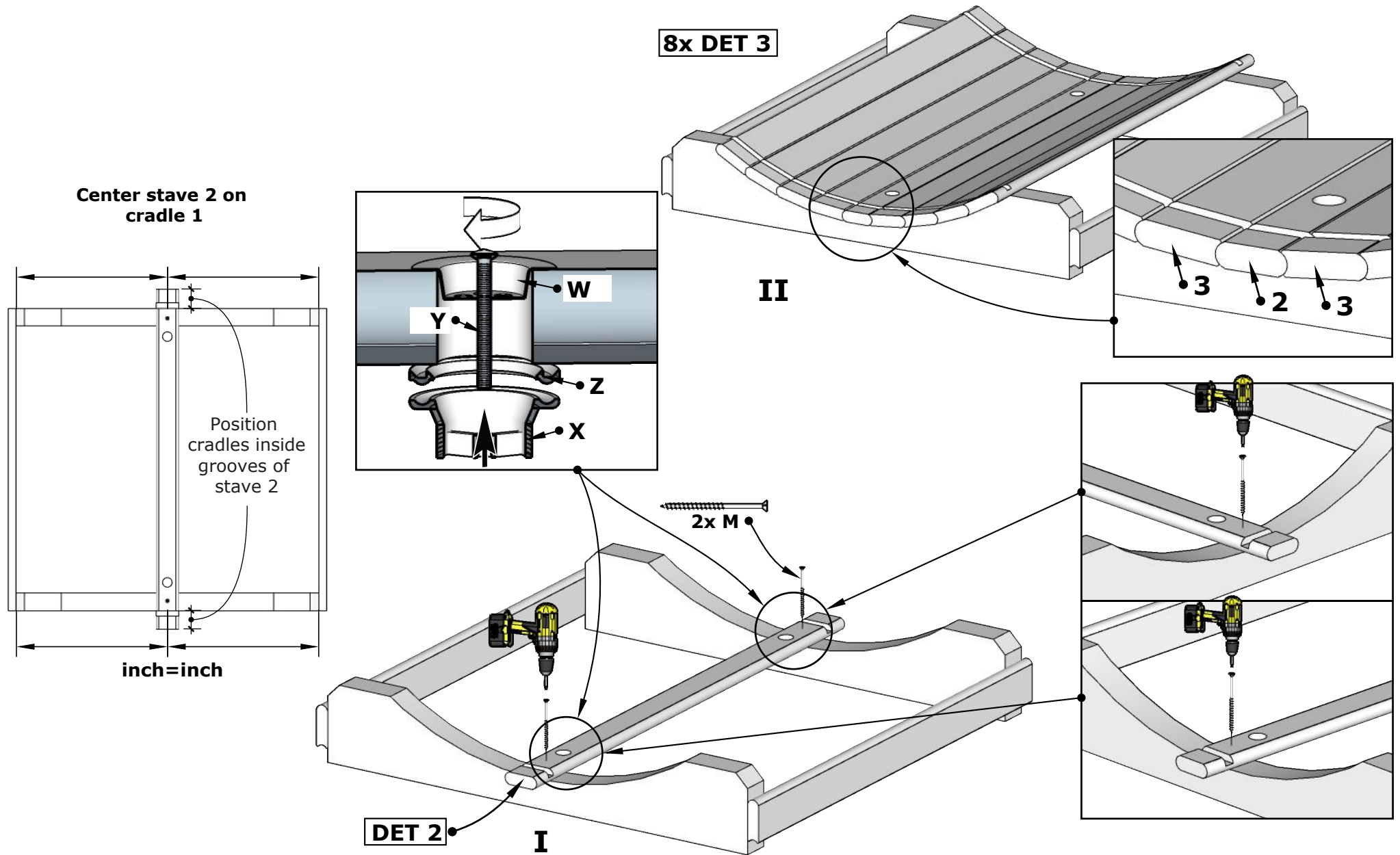


# E6 Barrel Sauna 59D" x 81H"



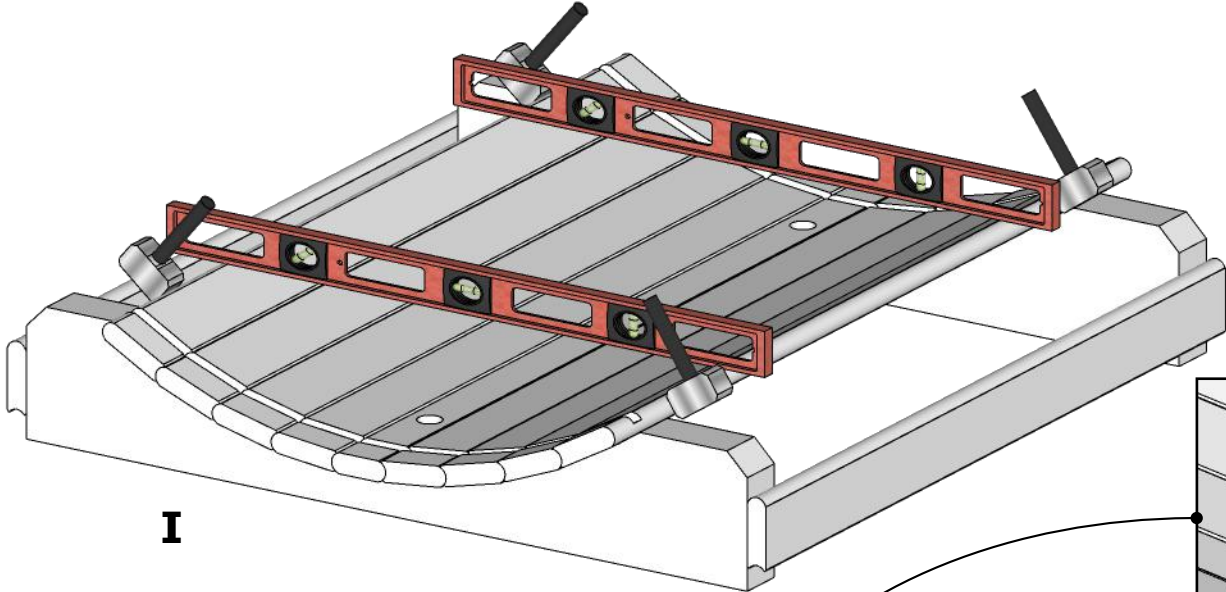
1.

# E6 Barrel Sauna 59D" x 81H"

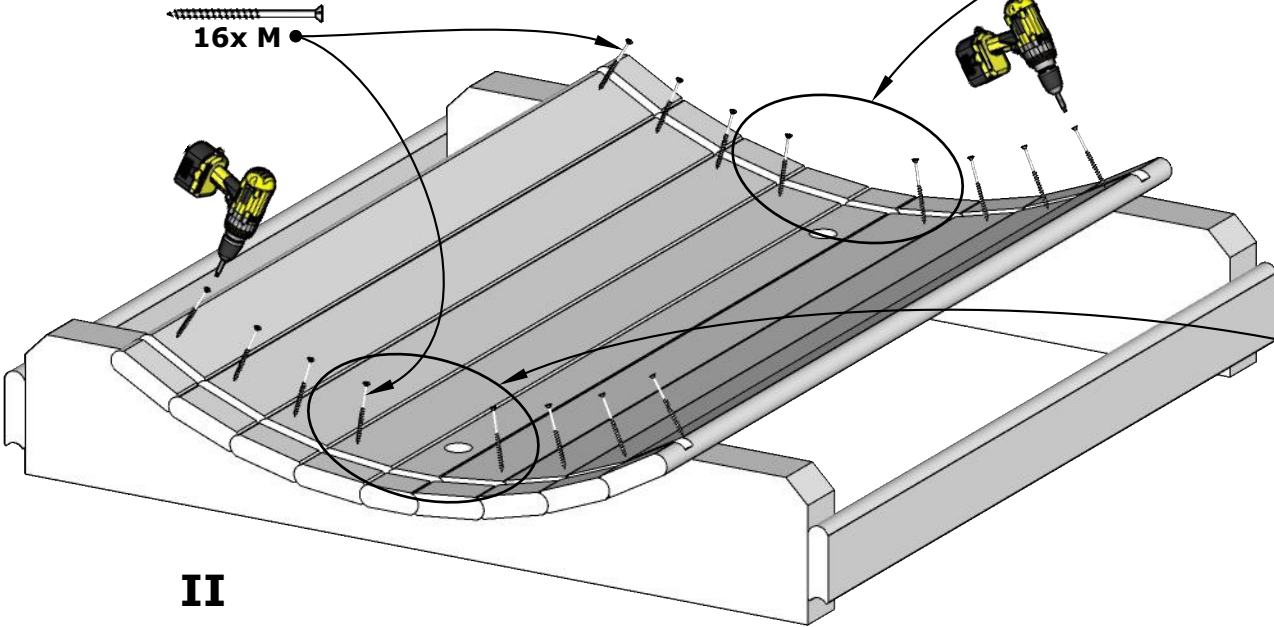




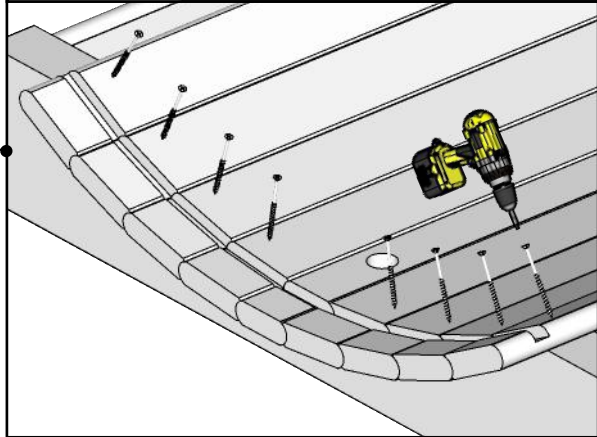
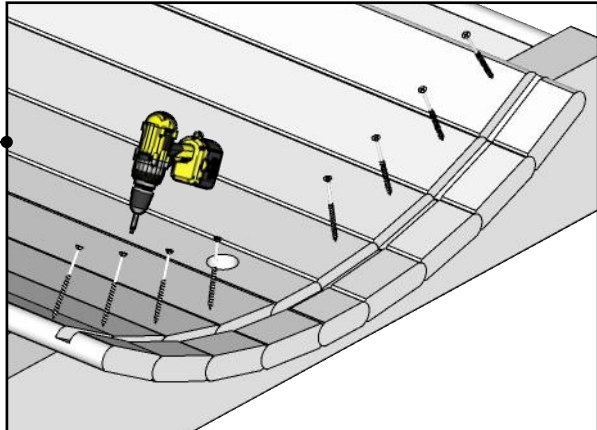
**E6 Barrel Sauna 59D" x 81H"**



**I**

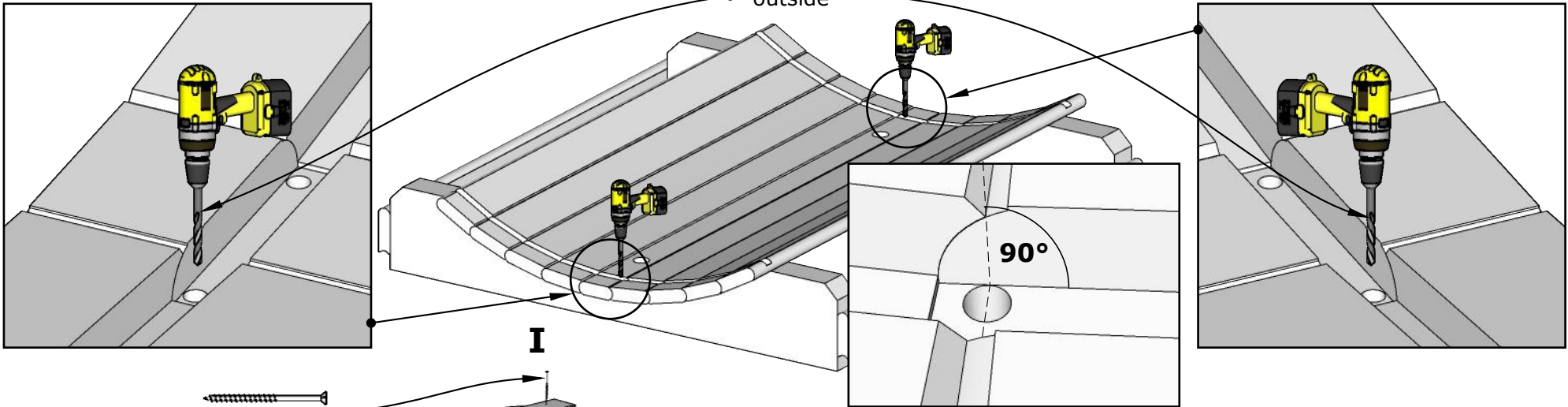


**II**

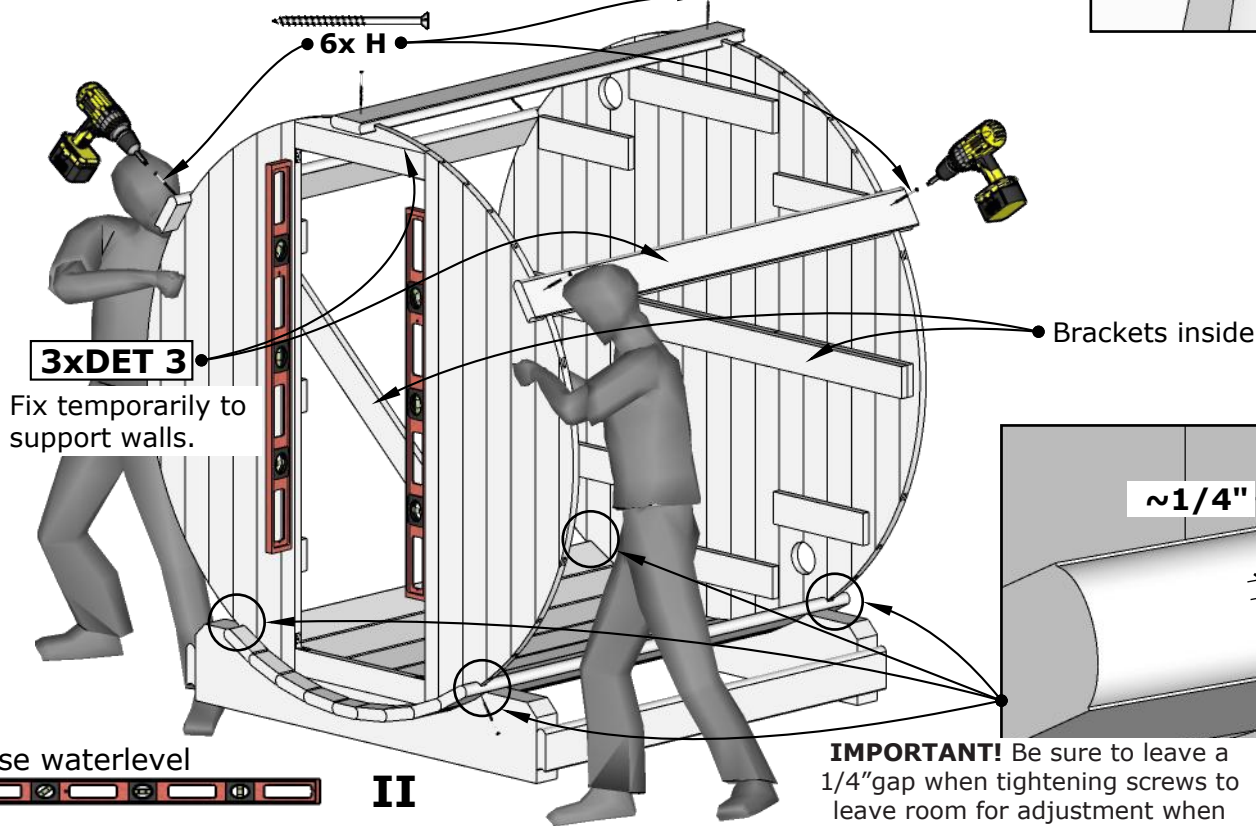


# E6 Barrel Sauna 59D" x 81H"

Drill 4 holes  $\varnothing 1/2"$   
through DET 2  
outside

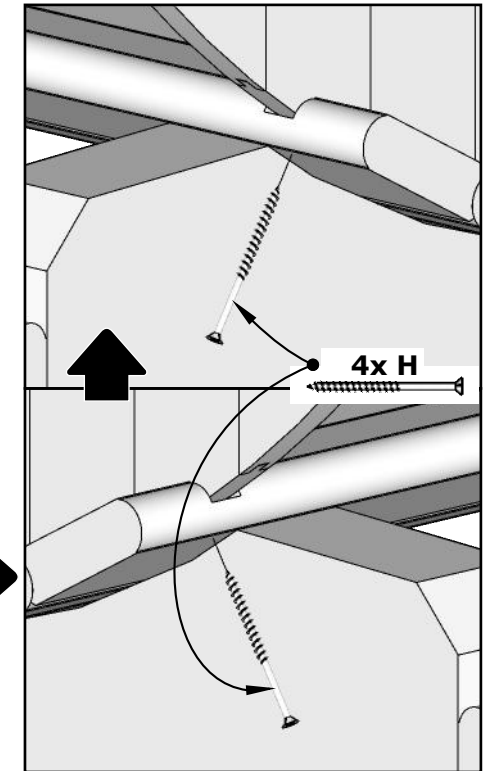


I



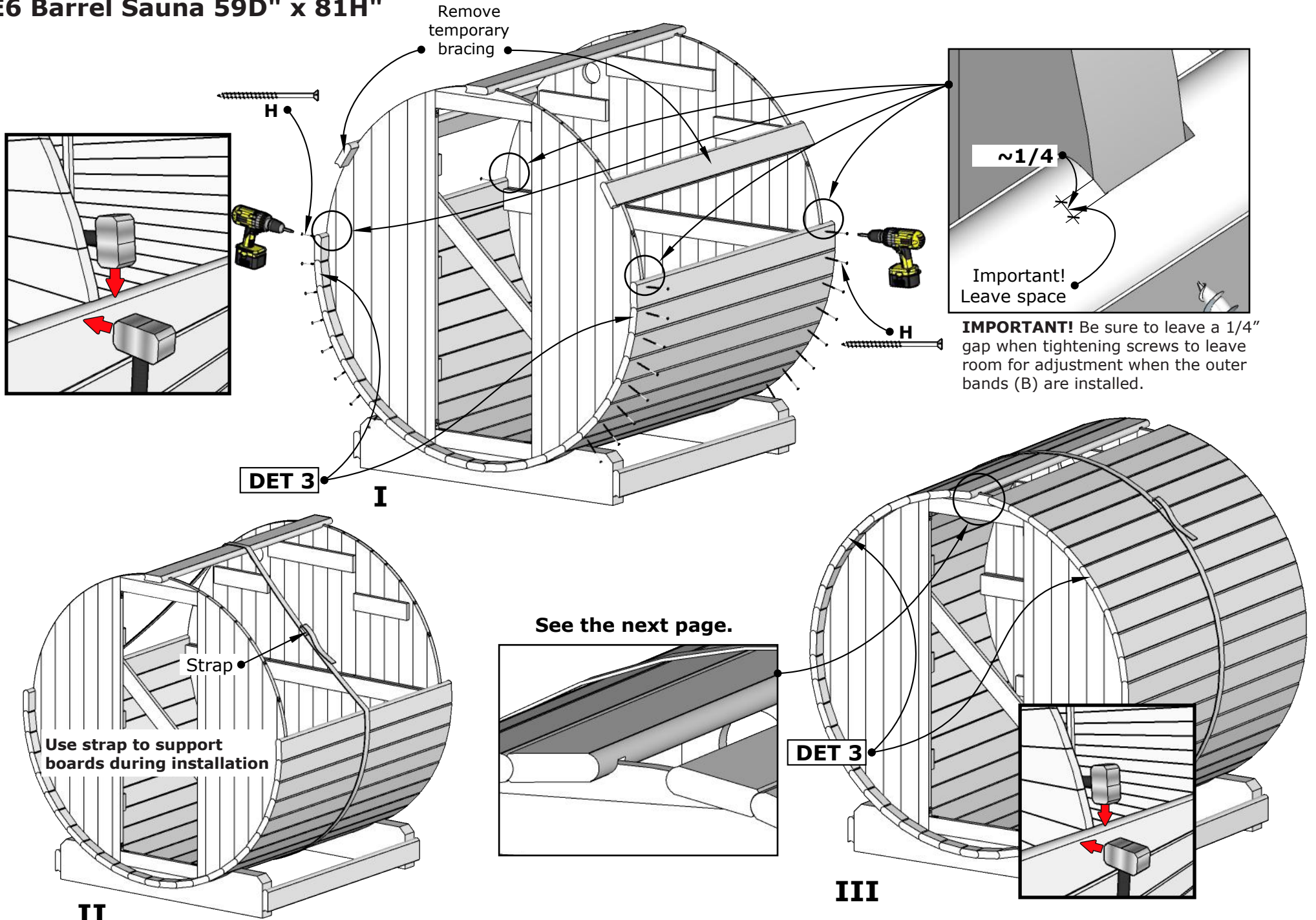
II

**IMPORTANT!** Be sure to leave a  $1/4"$  gap when tightening screws to leave room for adjustment when the outer bands (B) are installed.

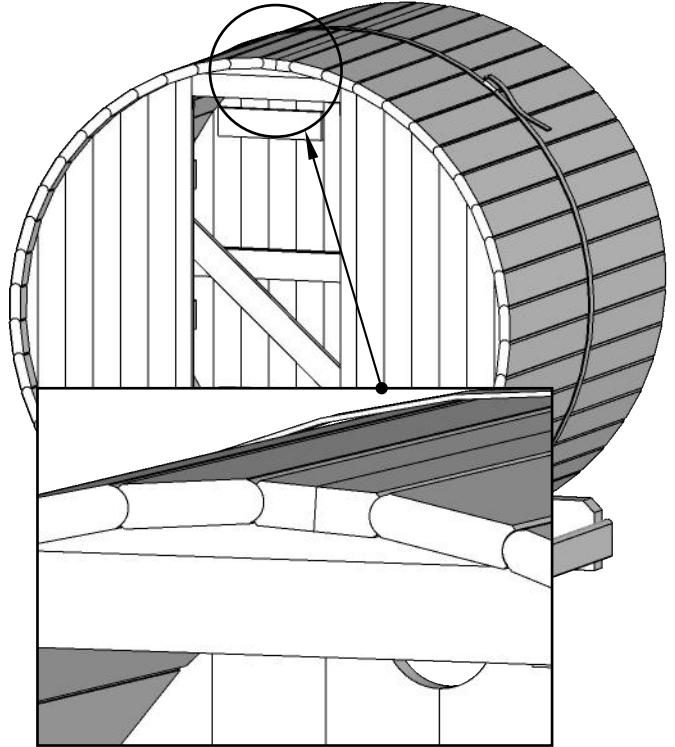
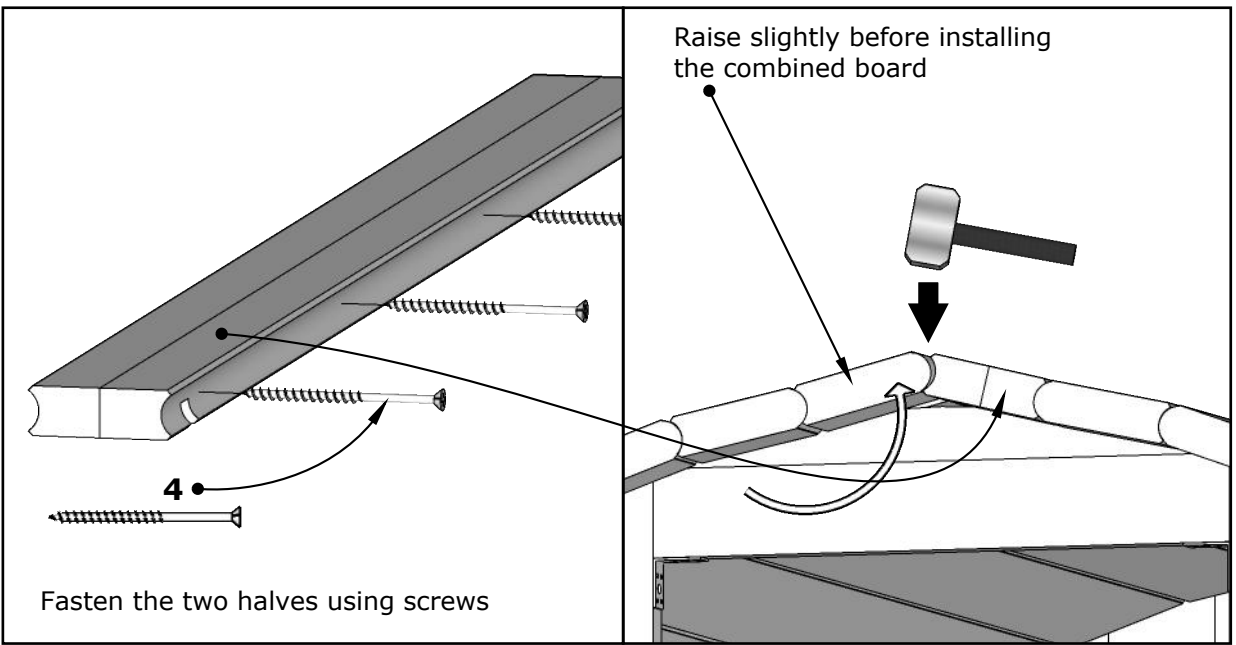
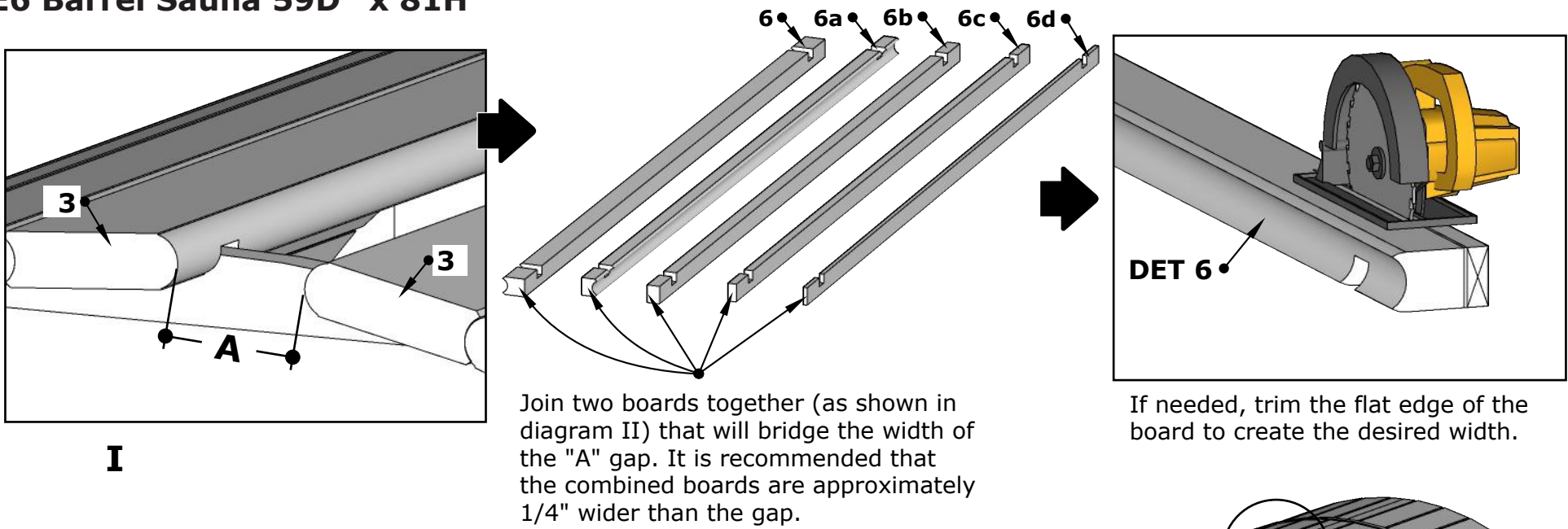




# E6 Barrel Sauna 59D" x 81H"



# E6 Barrel Sauna 59D" x 81H"



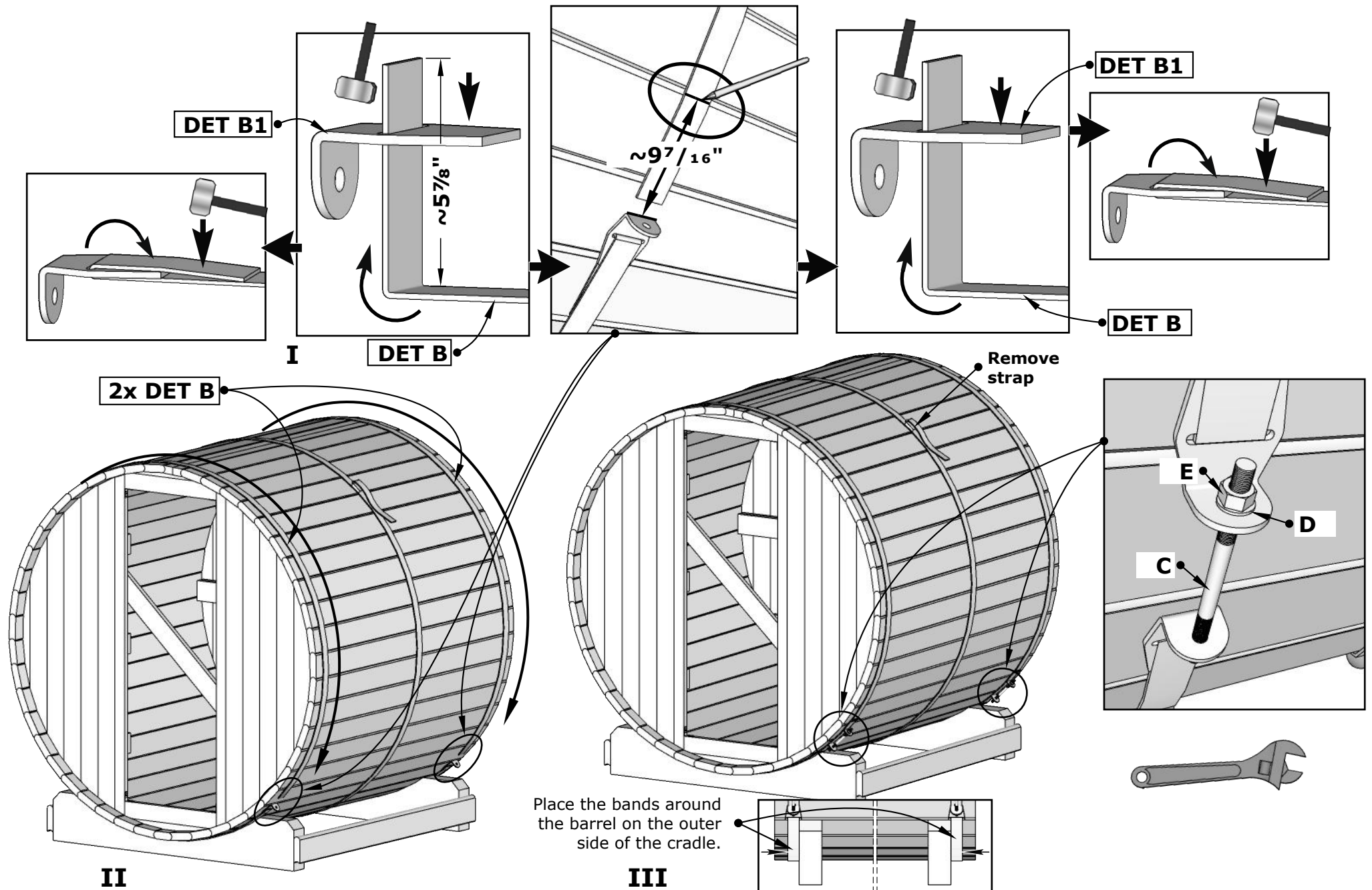
6.

II

III

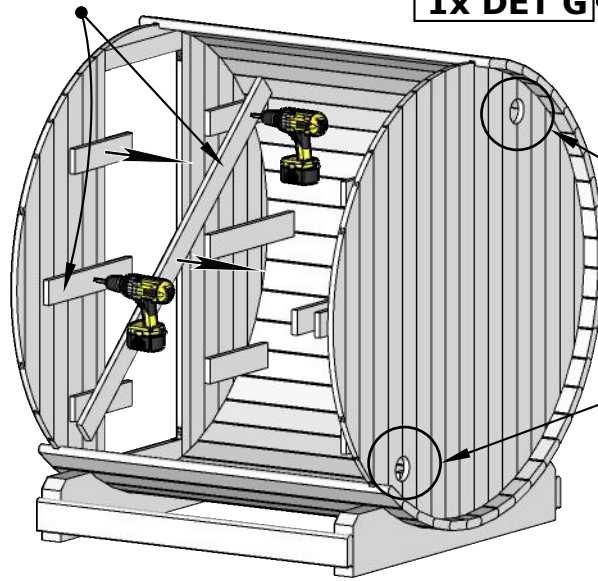
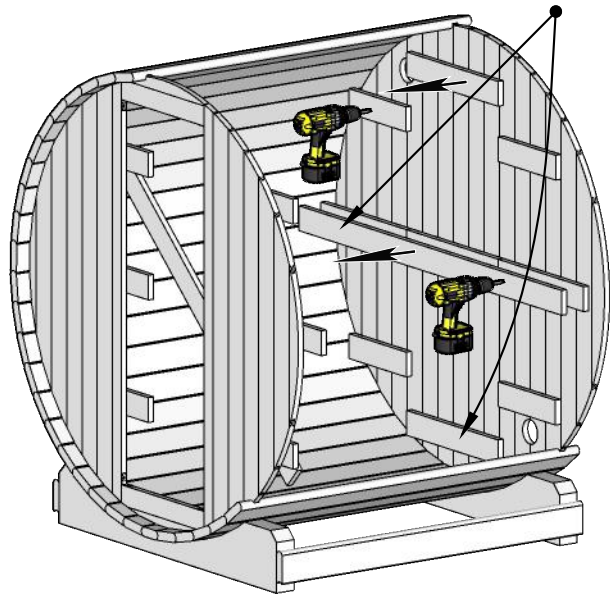


# E6 Barrel Sauna 59D" x 81H"

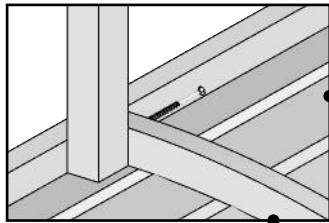
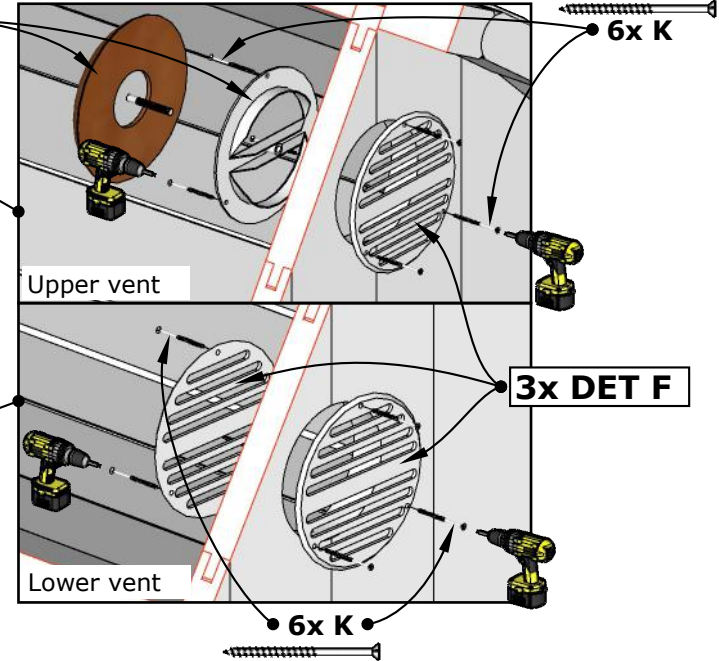


# E6 Barrel Sauna 59D" x 81H"

Remove all temporary braces



1x DET G

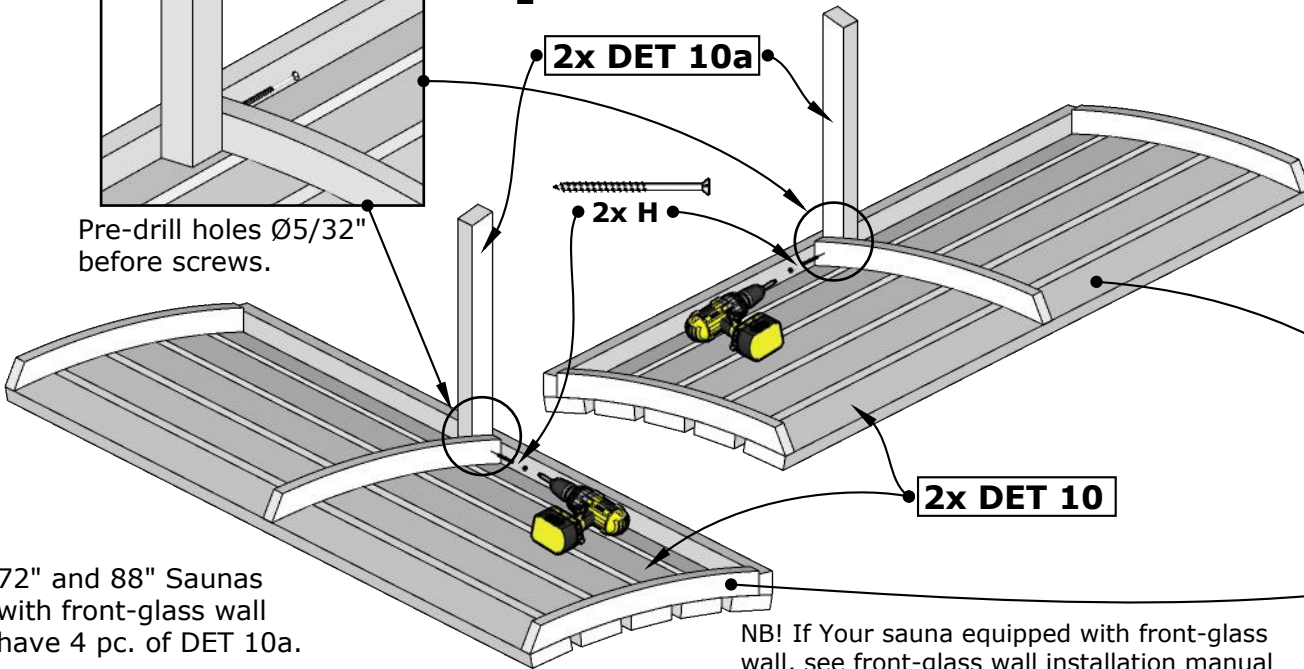


Pre-drill holes Ø5/32" before screws.

I

2x DET 10a

2x H

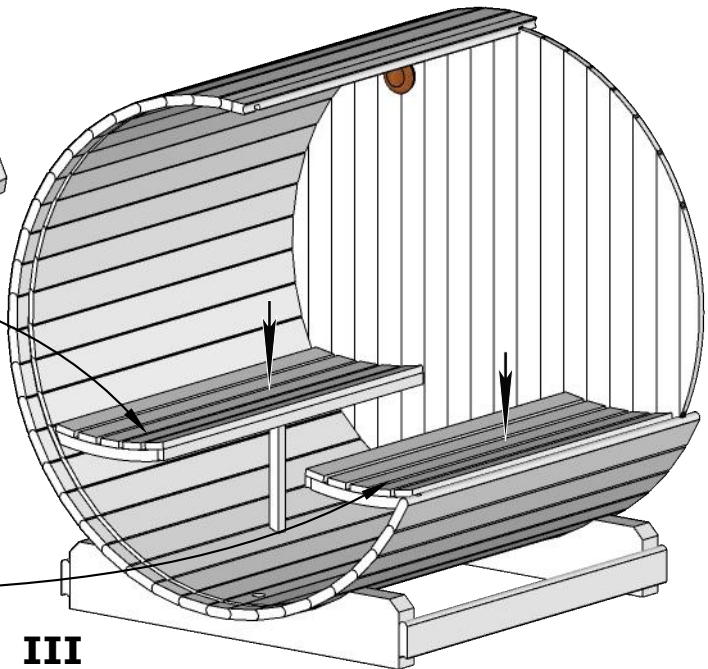


2x DET 10

72" and 88" Saunas with front-glass wall have 4 pc. of DET 10a.

II

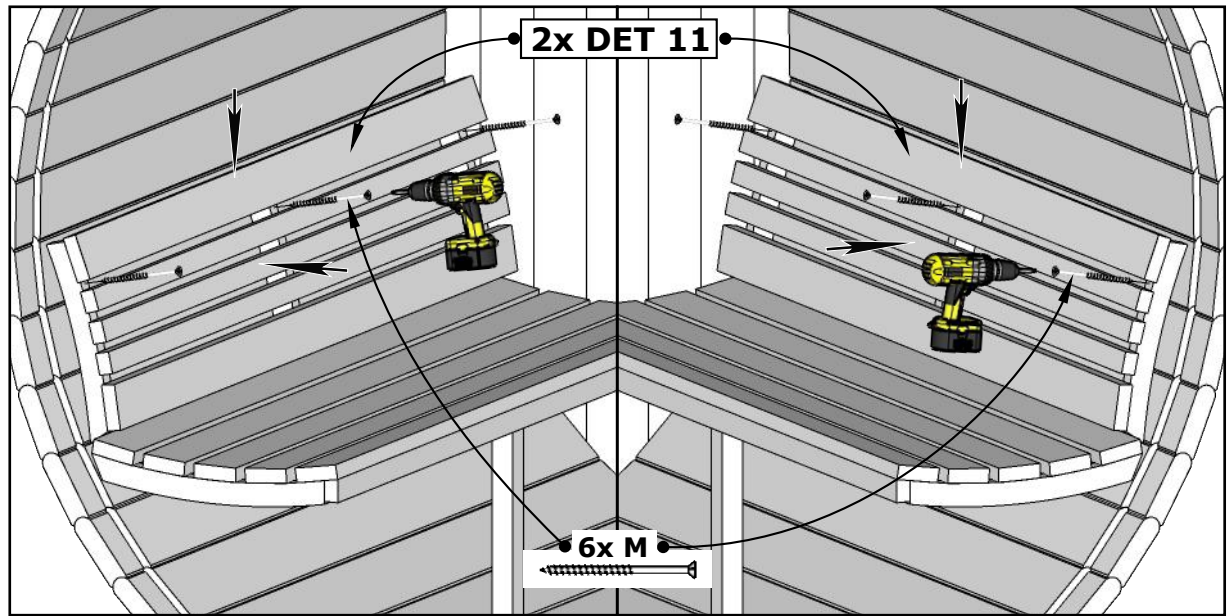
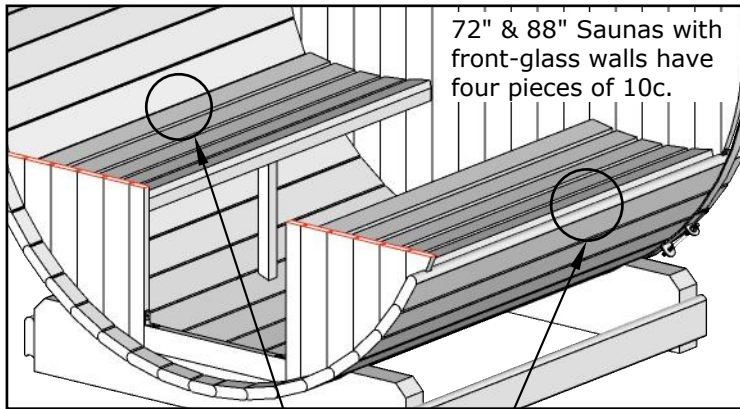
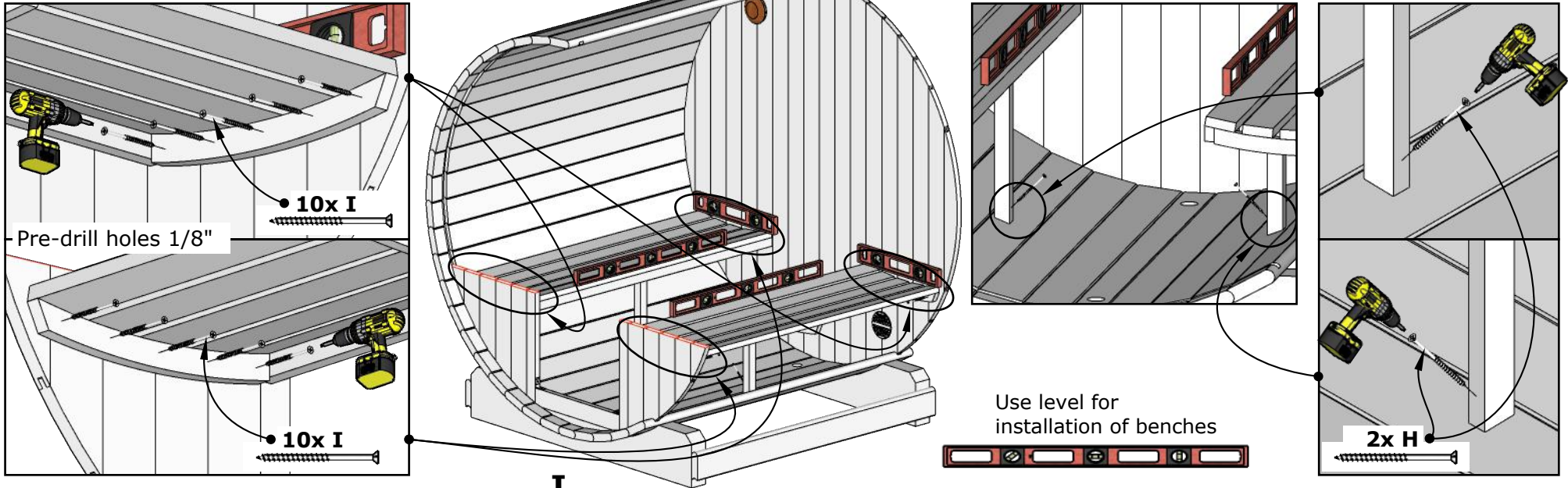
NB! If Your sauna equipped with front-glass wall, see front-glass wall installation manual for proper benches installation.



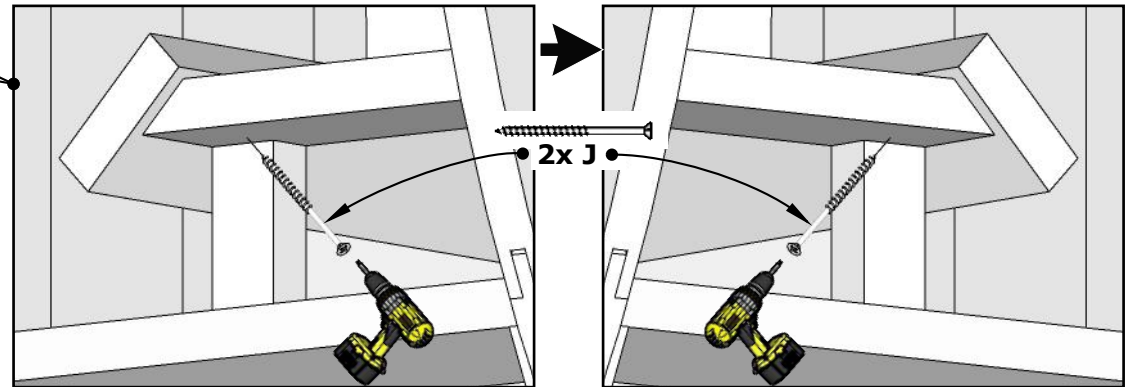
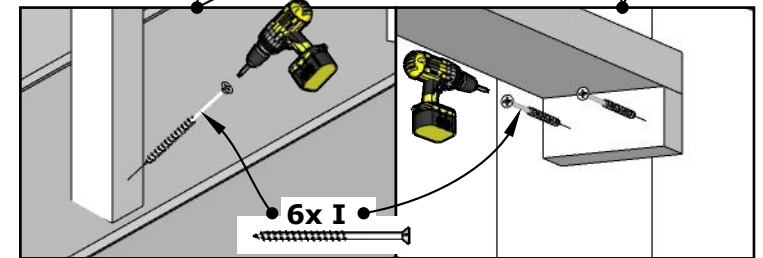
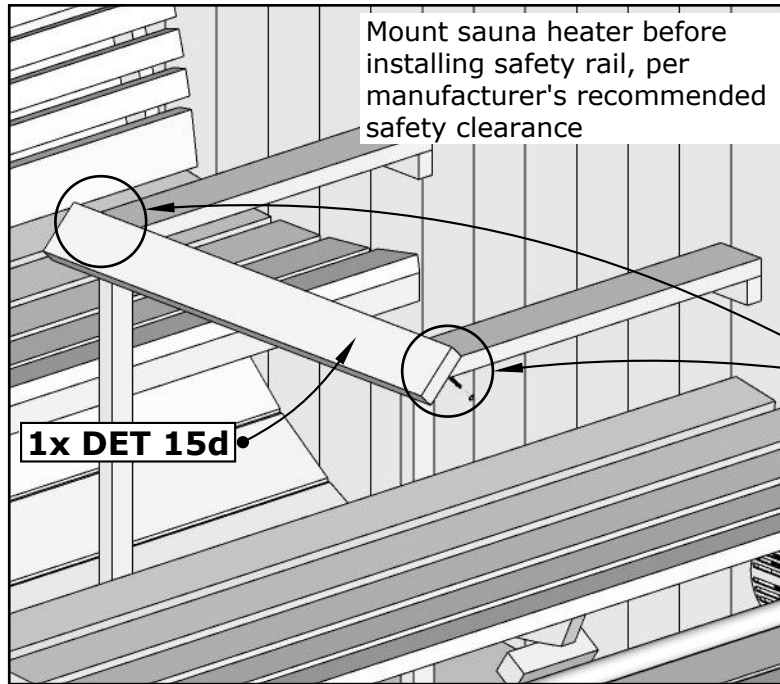
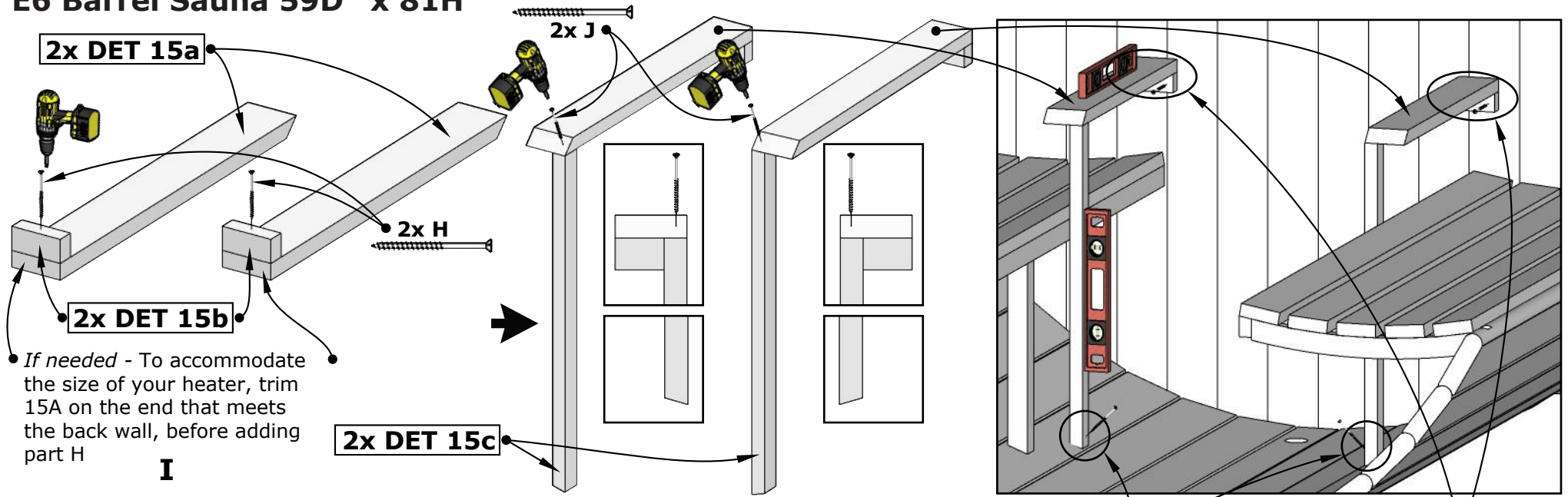
III



# E6 Barrel Sauna 59D" x 81H"

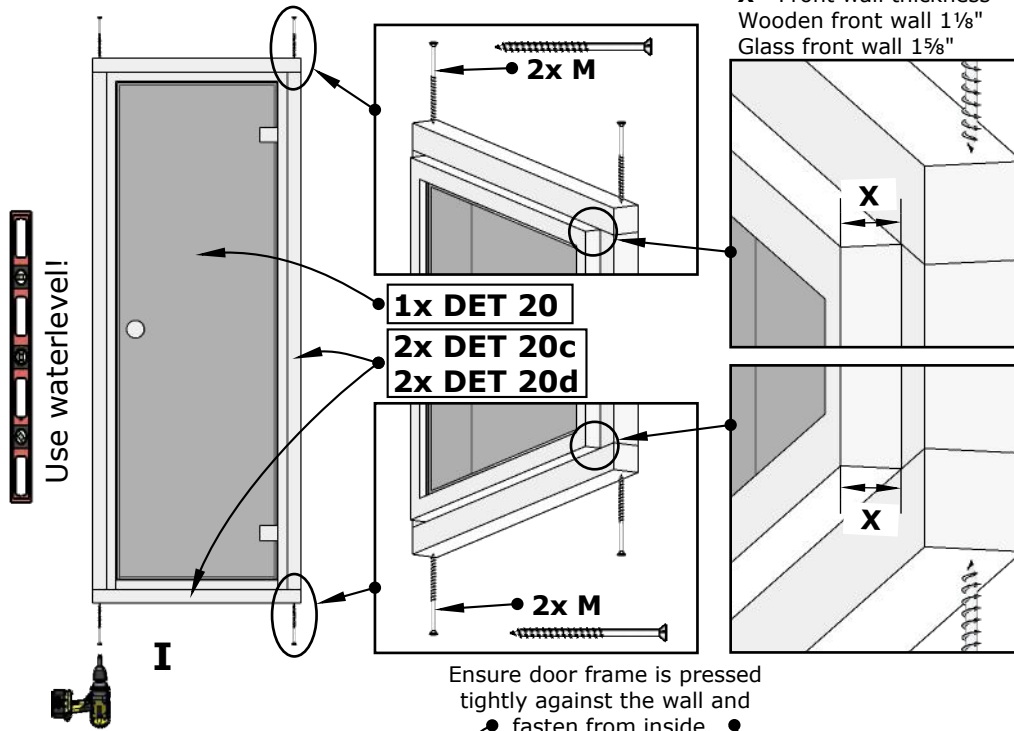


# E6 Barrel Sauna 59D" x 81H"

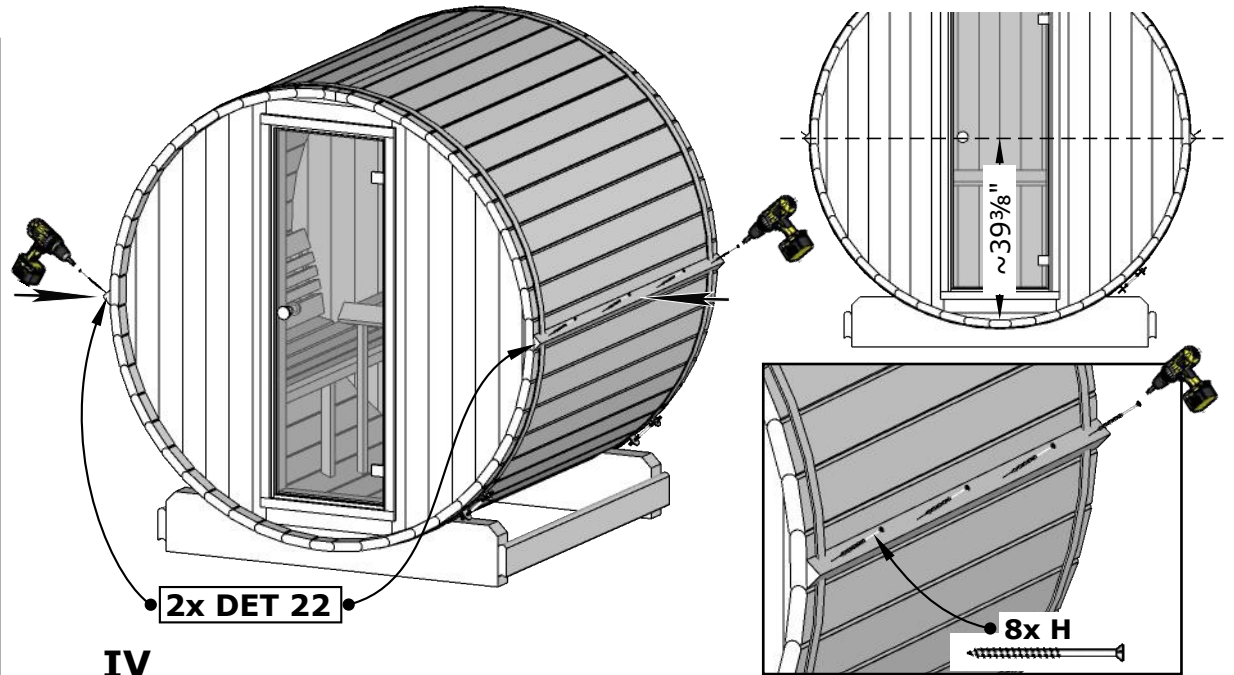
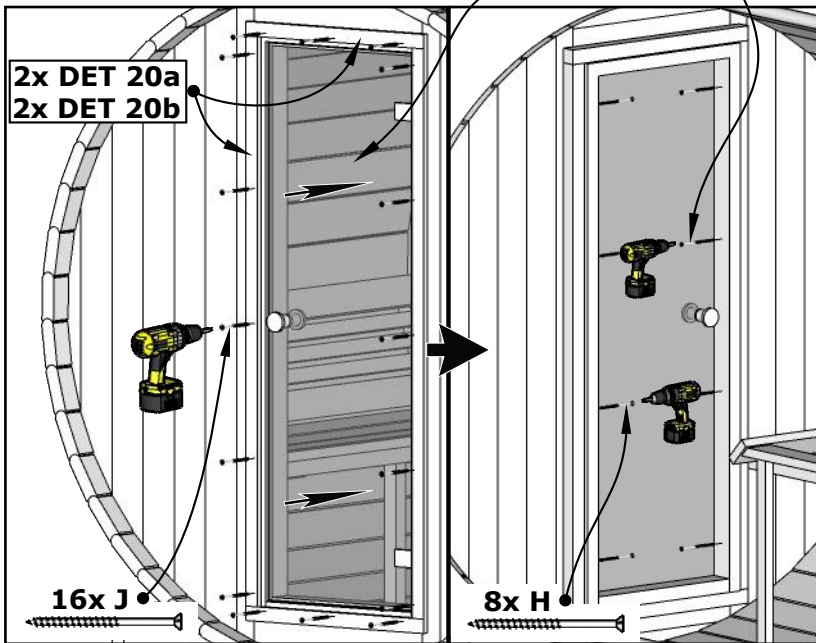
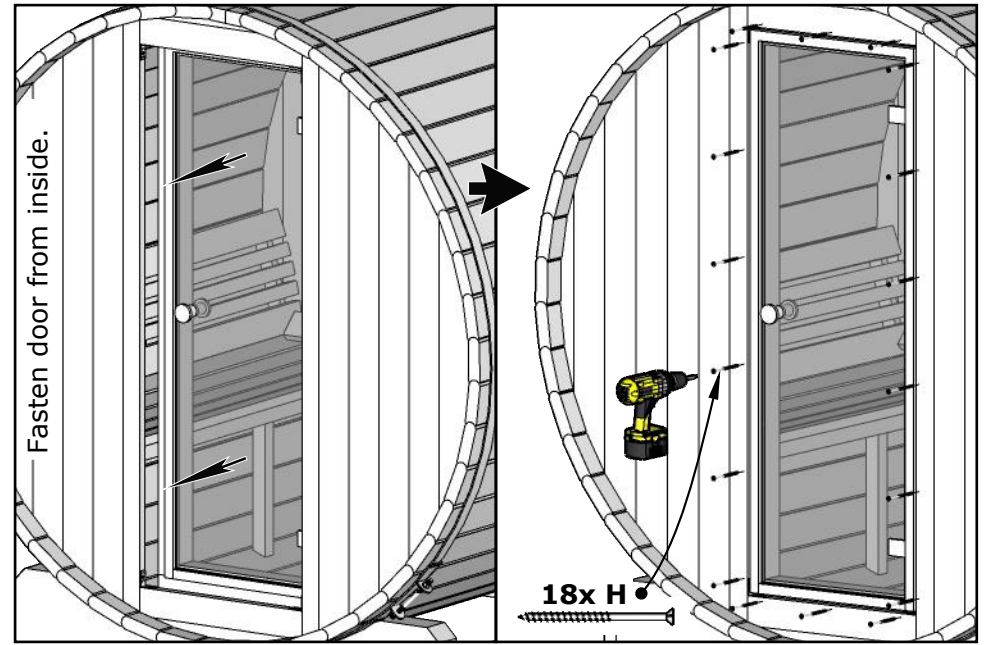




# E6 Barrel Sauna 59D" x 81H"

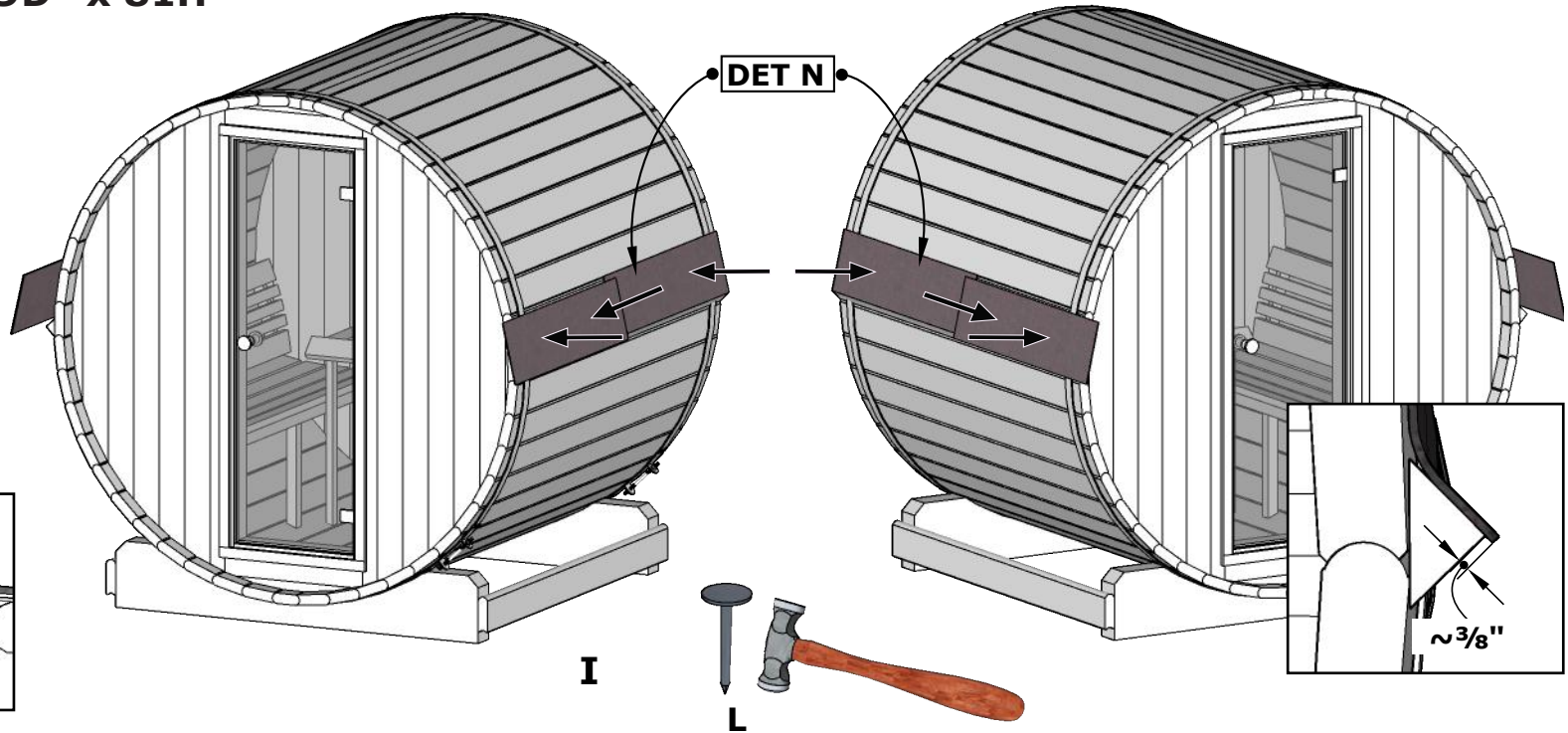
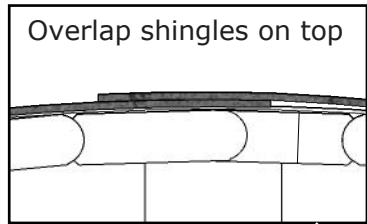


Ensure door frame is pressed tightly against the wall and fasten from inside

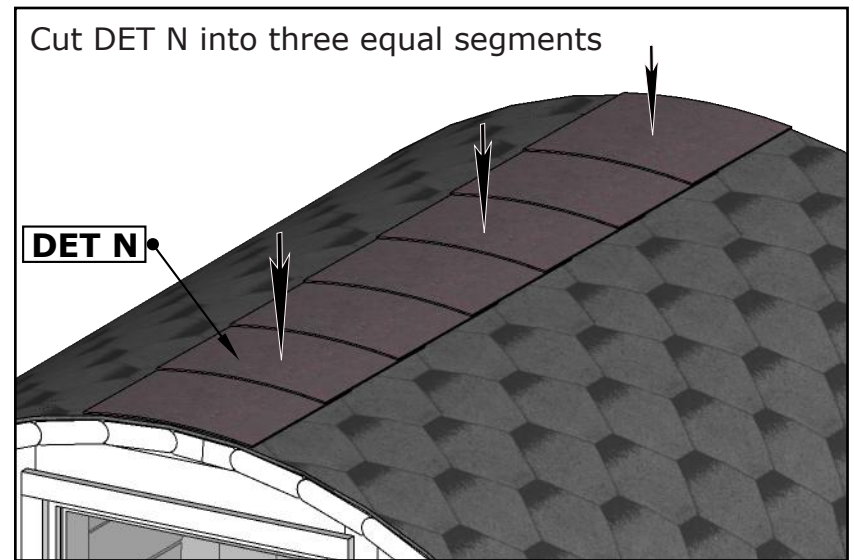
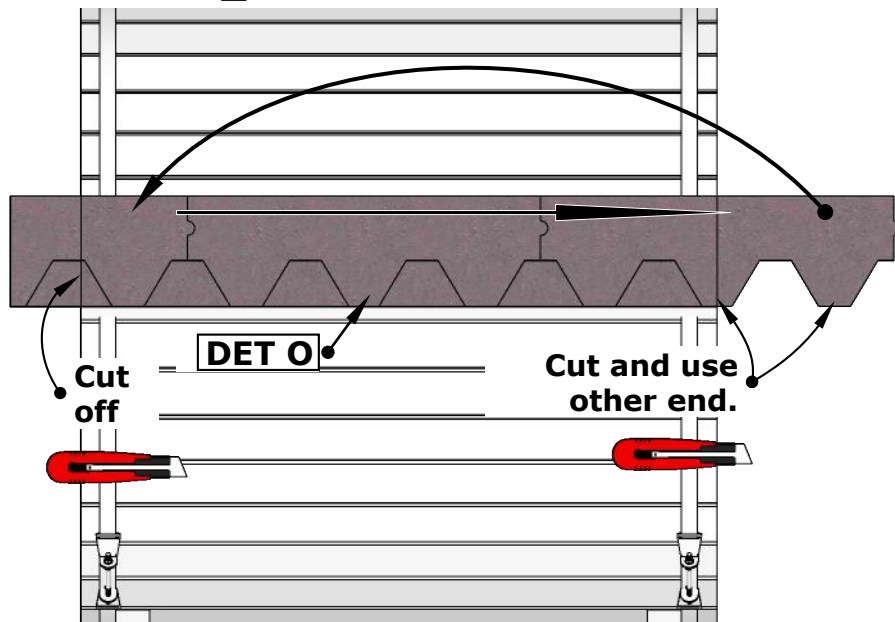


# E6 Barrel Sauna 59D" x 81H"

See the installation manual inside the shingles package



Check also roof shingles installation manual inside package.



# E6 Barrel Sauna 59D" x 81H"

