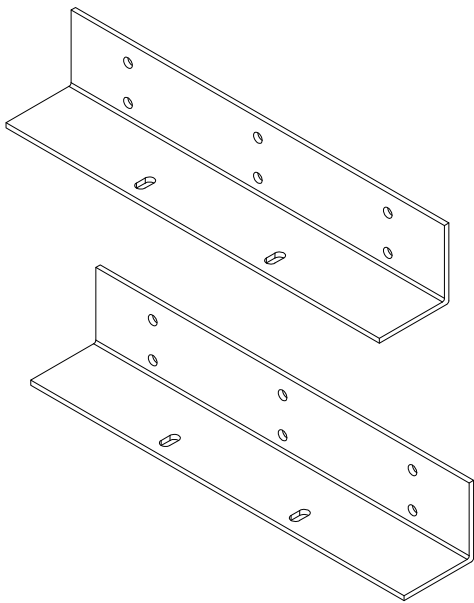




Dust control innovations.™

Wood Joist Kit (WJK)



The Wood Joist Kit consists of (2) brackets, designed to be combined with the USS (Universal Spanning Support) or the PMS (Purlin Mount Support). This application provides an option for mounting a SonicAire fan by spanning between a set of wood beams.

Installation Instructions

PLEASE READ AND SAVE THESE INSTRUCTIONS!

To install the WJK assemble the base plate and strut according to your mount manual (PMS, USS).

Place the (6) hole side of the WJK bracket against the preferred beam. Ensure the bottom of the bracket and the bottom of the beam are flush (*Figure 1.1*).

Secure each WJK bracket to adjacent beams by installing the appropriate hardware. (*SonicAire does not provide hardware for securing the WJK brackets to the beam. SonicAire recommends consulting with a structural engineer to determine the appropriate hardware.*)

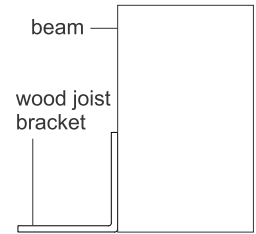


Figure 1.1

If you are spanning between **inclined beams**, assemble the (2) all-thread (*Figure 1.2*) to the strut and plate assembly, insert through the WJK bracket, and secure to one side of the mount assembly as shown below.

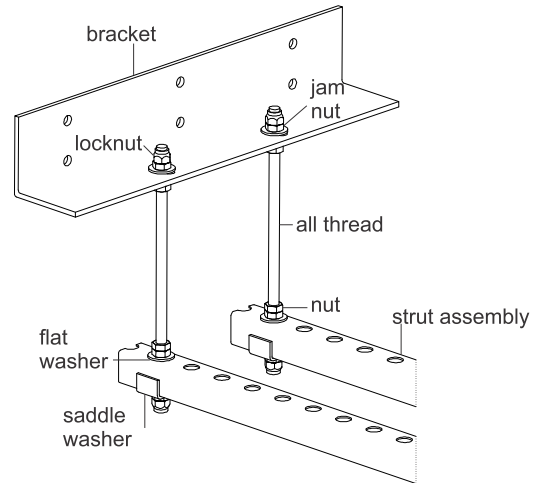


Figure 1.2



Wood Joist Kit (WJK) Installation

If you are spanning between **level beams**, secure each bracket to the mount assembly using the provided bolts and hardware (*Figure 1.3*) as shown below. For **inclined beams**, secure the *second bracket* to the mount assembly according to the image below.

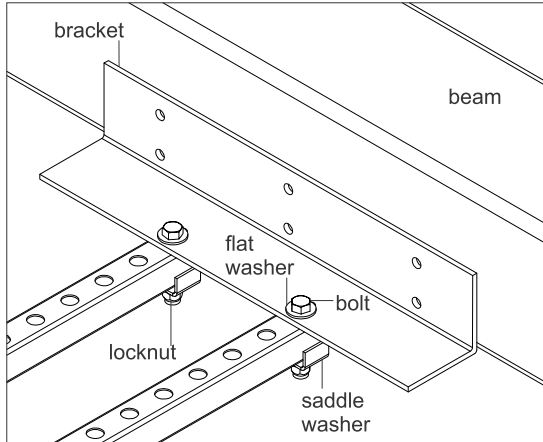


Figure 1.3



To attach your fan and finish installation please refer to the manual provided with your mount. For any questions please contact Sonic Aire Tech at 336.712.2437.

