



**CX401**  
**1-HP TWO STAGE CYCLONE**  
**DUST COLLECTOR**  
**User Manual**



# TABLE OF CONTENTS

General Safety Instructions .....	3
Specific Safety Instructions .....	4
Features .....	5
Physical Features.....	6
Setup.....	7
Unpacking .....	7
Proper Grounding.....	8
Assembly.....	9
Test Run.....	12
Maintenance.....	12
Emptying the Drum .....	13
Cleaning the Canister.....	13
Parts Breakdown .....	14
Parts List .....	15
Warranty.....	16

# GENERAL SAFETY INSTRUCTIONS

**Extreme caution should be used when operating all power tools. Know your power tool, be familiar with its operation, read through the owner's manual and practice safe usage procedures at all times.**

- ❖ **ALWAYS** read and understand the user manual before operating the machine.
- ❖ **CONNECT** your machine **ONLY** to the matched and specific power source.
- ❖ **ALWAYS** wear safety glasses respirators, hearing protection and safety shoes, when operating your machine.
- ❖ **DO NOT** wear loose clothing or jewelry when operating your machine.
- ❖ **A SAFE ENVIRONMENT** is important. Keep the area free of dust, dirt and other debris in the immediate vicinity of your machine.
- ❖ **BE ALERT! DO NOT** use prescription or other drugs that may affect your ability or judgment to safely use your machine.
- ❖ **DISCONNECT** the power source when changing drill bits, hollow chisels, router bits, shaper heads, blades, knives or making other adjustments or repairs.
- ❖ **NEVER** leave a tool unattended while it is in operation.
- ❖ **NEVER** reach over the table when the tool is in operation.
- ❖ **ALWAYS** keep blades, knives and bits sharpened and properly aligned.
- ❖ **ALL OPERATIONS MUST BE** performed with the guards in place to ensure safety.
- ❖ **ALWAYS** use push sticks and feather boards to safely feed your work through the machine.
- ❖ **ALWAYS** make sure that any tools used for adjustments or installation is removed before operating the machine.
- ❖ **ALWAYS** keep the bystanders safely away while the machine is in operation.

# CX401 – 1-Hp Two Stage Cyclone Dust Collector

## SAFETY INSTRUCTIONS

- ⚠ **CX401** is designed to collect wood saw dust. Do not use it to collect the metal particles.
- ⚠ **CONNECT THE DUST COLLECTOR** only to the matched power outlet mentioned in this user manual.
- ⚠ **DO NOT** vacuum or use this dust collection system near flammable or combustible liquids, gases, gasoline, lighter fluid cleaners, oil-based paints, natural gas, hydrogen or explosive dusts like coal dust, magnesium dust, grain dust or gun powder.
- ⚠ **DO NOT** vacuum anything that is burning or smoking, such as cigarettes, matches or hot ashes.
- ⚠ **DO NOT** use the dust collector with a damaged power cord, plug or any other damaged part. If your dust collection system is not working as it should, has missing parts, has been dropped, damaged, left outdoors, or dropped into water, take it to a service center.
- ⚠ **ALL PARTS** must be installed and secured properly before operating the dust collection system.
- ⚠ **DO NOT** use the dust collection system without filter/dust bag and or chip bag.
- ⚠ **MAKE SURE** before servicing or making any adjustments, the power switch is in the “OFF” position and the cord is un-plugged from the power source to avoid any injury from accidental starting.
- ⚠ **ALWAYS** turn off the controls before unplugging the cord from the power source.
- ⚠ **DO NOT** unplug the power cord by pulling it on. Grasp the plug and remove it properly.
- ⚠ **NEVER LEAVE** the dust collector unattended while it is running. Unplug the cord from the power outlet when not in use.
- ⚠ **DO NOT BLOCK** the ventilation openings while operating the dust collector.
- ⚠ **MAINTAIN AND SERVICE** your dust collection system regularly as instructed in the user manual.
- ⚠ **MAKE SURE** you have read and understood all the safety instructions in this user manual and you are familiar with dust collection system, before operating the CX401. If you fail to do so, serious injury could occur.

### WARNING

*The safety instructions given above can not be complete because the environment in every shop is different. Always consider safety first as it applies to your individual working conditions.*



## CX401–1-HP Cyclone Dust Collector

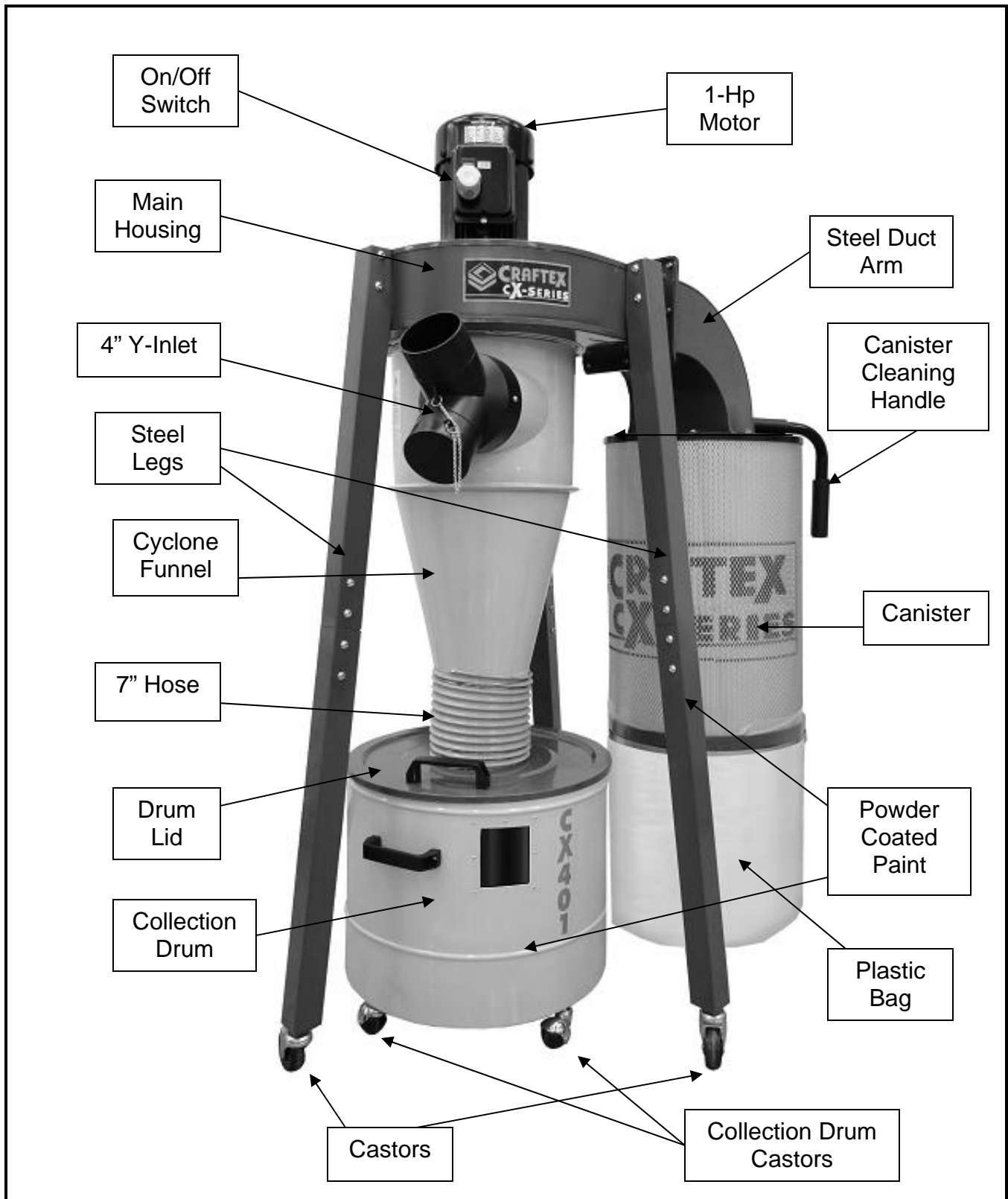
### FEATURES

#### MODEL CX401 – 1-HP TWO STAGE CYCLONE DUST COLLECTOR

As part of the growing line of Craftex woodworking equipment, we are proud to offer CX401 - 1-HP Cyclone Dust Collector. The Craftex name guarantees Craft Excellence. By following the instructions and procedures laid out in this owner's manual, you will receive years of excellent service and satisfaction. The CX401 is a professional tool and like all power tools, proper care and safety procedures should be adhered to.

- ⊞ Motor ..... 1-HP TEFC, 110/220V, Single Phase, 110V Pre-wired
- ⊞ Amps ..... 15-AMPS
- ⊞ Motor Speed ..... 3450-RPM
- ⊞ Air Suction Capacity ..... 763-CFM
- ⊞ Canister Filtration ..... 1-Micron
- ⊞ Canister Filter Surface Area ..... 3.8M Squared
- ⊞ Drum Size ..... 24 Gallon
- ⊞ Static Pressure ..... 10" in Water
- ⊞ Impeller Size ..... 13" Die Cast Fin Style
- ⊞ Inlet Size ..... 6" Main Inlet with Dual 4" Attachment
- ⊞ Noise Level ..... 80 dB
- ⊞ Length & Width ..... 51" x 43"
- ⊞ Height ..... 63.5"
- ⊞ Approximate Weight ..... 90 Kg

# CX401 – 1-Hp Two Stage Cyclone Dust Collector Physical Features



## SETUP

Before starting setting up your machine, you need to read and understand this user manual completely.

### **WARNING**

*CX401 is a heavy machine. Do not over-exert yourself. For safe moving method use fork truck or get the help of an assistant or a friend.*

## UNPACKING

The machine is properly packaged in a carton for safe transportation. When unpacking, carefully inspect the crate and ensure that nothing has been damaged during transit. Open the crate and check that the machine is in good condition.

The hardware (screws, washers & etc) might be shipped in a plastic bag. After the machine has been un-packed, check that all loose parts and hardware are present.

### **List of Contents**

<b>A.</b>	Main Housing .....	1
<b>B.</b>	Collector Body .....	1
<b>C.</b>	Cyclone Funnel .....	1
<b>D.</b>	Drum Lid.....	1
<b>E.</b>	Collection Drum.....	1
<b>F.</b>	Steel Duct Arm .....	1

<b>G.</b>	Y-Inlet .....	1
<b>H.</b>	Gasket .....	1
<b>I.</b>	Hose 1-1/2" .....	2
<b>J.</b>	Steel Clamp .....	1
<b>K.</b>	Hose 7" .....	2
<b>L.</b>	Plastic Bags .....	2
<b>M.</b>	Hose Clamp 7" .....	2
<b>N.</b>	Castors for Drum.....	4
<b>O.</b>	Canister .....	1
<b>P.</b>	Canister Cleaning Handle .....	1
<b>Q.</b>	Plastic Bag Clamp.....	1
<b>R.</b>	Upper Legs .....	3
<b>S.</b>	Connectors .....	3
<b>T.</b>	Lower Legs .....	3
<b>U.</b>	Hose Clamp 1-1/2".....	2
<b>V.</b>	Castors for the Legs.....	3
<b>W.</b>	Hardware.....	One Bag

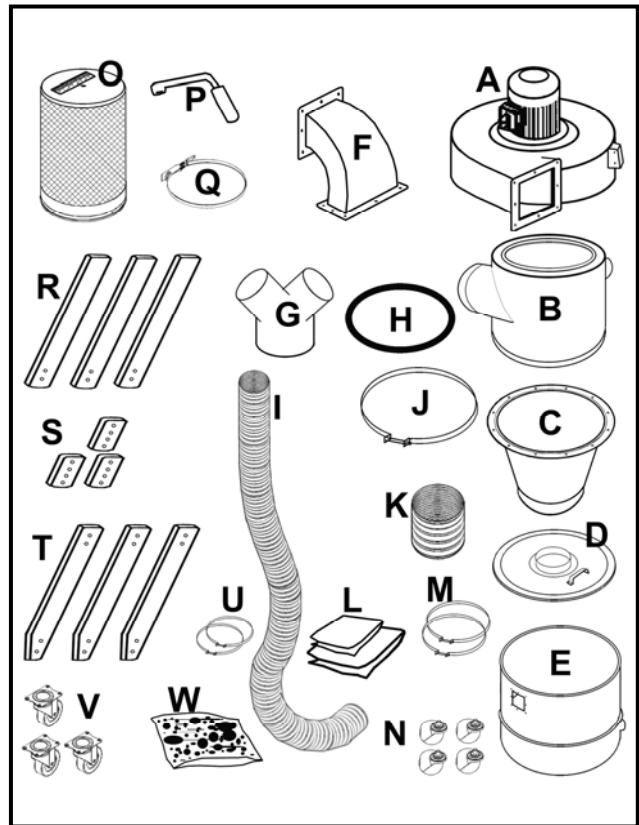


Figure-1 Inventory

## PROPER GROUNDING

Grounding provides a path of least resistance for electric current to reduce the risk of electric shock.

CX401 is equipped with a 110 single phase motor which features a 3-conductor cord and a 3-prong grounding plug to fit a grounded type receptacle. Make sure the cord is plugged into a properly installed and grounded power outlet.

To prevent electrical hazards, have a qualified electrician ensure that the line is properly wired.

This tool is for use on a normal 110-volt circuit and is factory-equipped with a specific electric cord and plug to permit connection to a proper electric circuit. Make sure that the tool is connected to an outlet having the same configuration as the plug. If an adaptor plug is used, it must be attached to the metal screw of the receptacle.

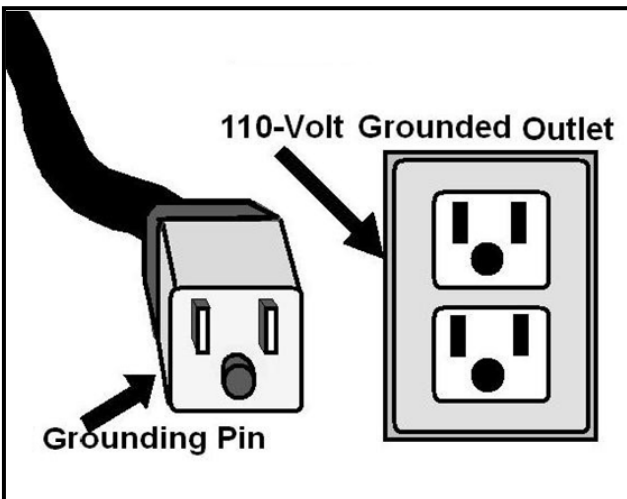


Figure-2 110-Volts Outlet for CX401

### **WARNING**

*Improper connection of the equipment-grounding conductor can result in a risk of electric shock. Check with a qualified electrician if you are in doubt as to whether the outlet is properly grounded.*

It is strongly recommended not to use extension cords with your CX401. Always try to position your machine close to the power source so that you do not need to use extension cords.

In case if you really find it necessary to use an extension cord, make sure the extension cord does not exceed 50-feet in length and the cord is 14-gauge to prevent motor damage.

Your CX401 is equipped with a cord having 3-prongs which fits a 3 prong grounding receptacle as shown in figure-3. Do not remove the grounding prong to fit it into a 2-pronged outlet. Always check with a qualified electrician if you are in doubt.



# ASSEMBLY

Attach the upper support leg to the lower support leg using the connecting board, screws and washers provided. See figure-3

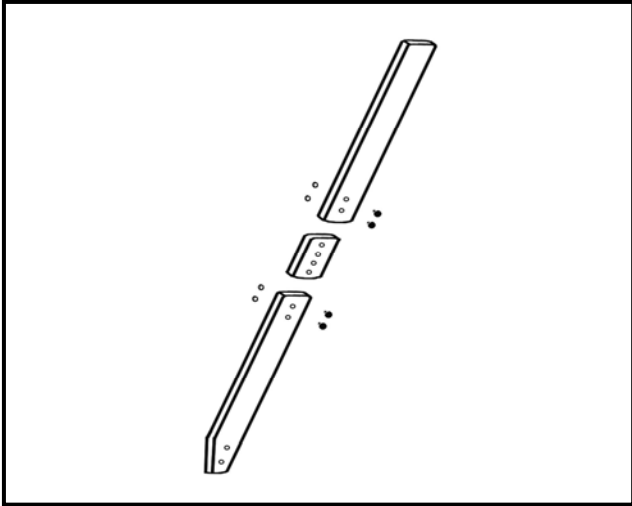


Figure-3 Assembling the leg

Put the main housing upside down on the floor and attach the support leg to the main housing, securing it with the help of screws and washers provided. Install the wheels at the bottom of each support leg as shown in figure-4.

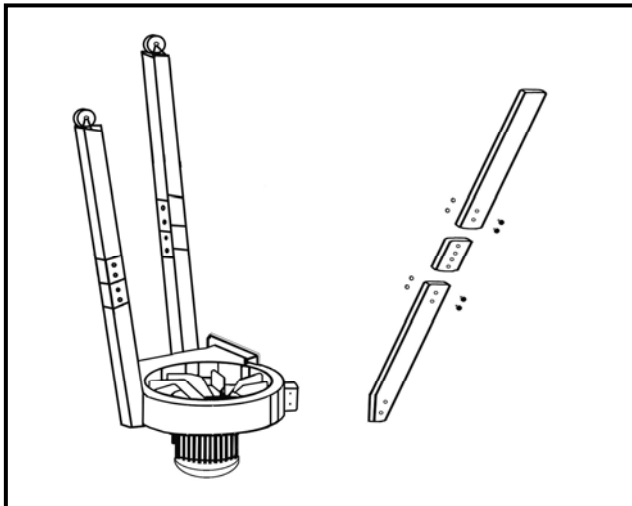


Figure-4 Installing the legs

Now, turn the main housing and the support legs up right. Place the collector body on the floor and place the gasket provided on the collector rim as shown in figure-5.

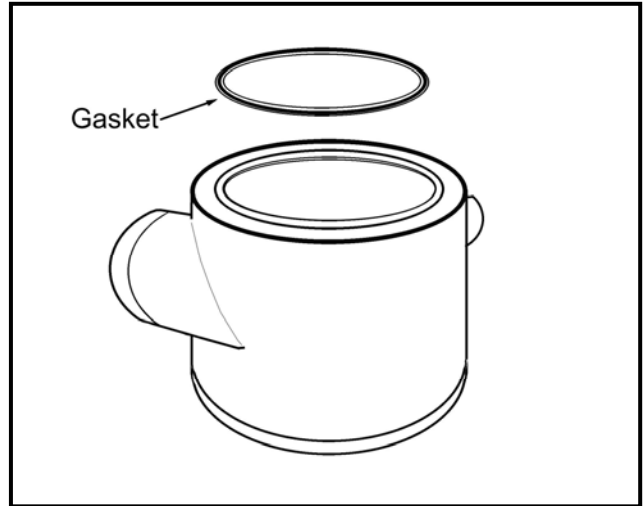


Figure- 5 Putting the gasket on the collector rim

Attach the collector body to the main housing and secure it using the screws and washers provided. See figure-6

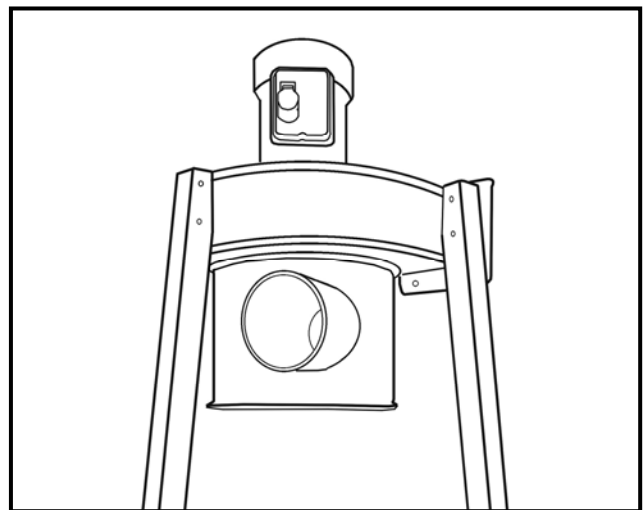


Figure- 6 Installing the collector

Attach the cyclone funnel to the collector assembly with the gasket in between using screws provided. Secure it with the help of the steel clamp provided. See figure-7

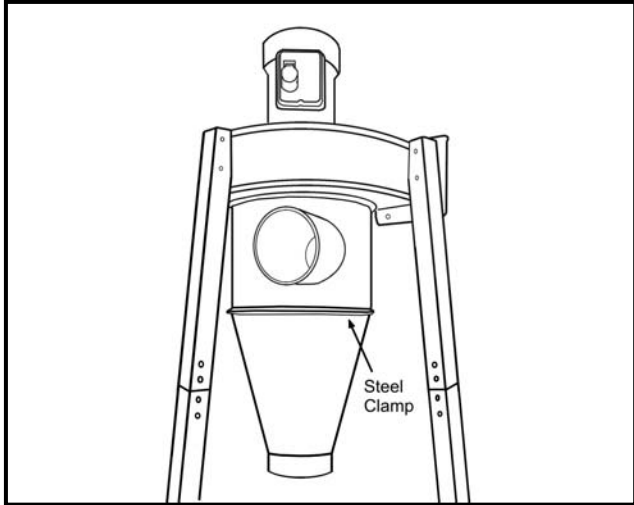


Figure-7 Attaching the cyclone funnel

Take the 7" hose and attach one end of it to the bottom part of the cyclone funnel and the other end to the drum lid. Secure both ends with the help of two 7" hose clamps. See figure-9.

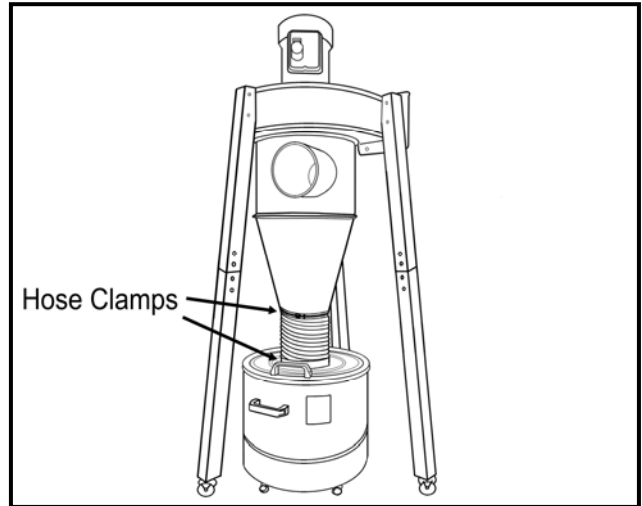


Figure-9 Attaching the hose

Attach the castors to the bottom part of the collection drum. Put the larger plastic bag provided, inside the drum and put the lid on the drum. Place the steel drum under the cyclone funnel. See figure-8.

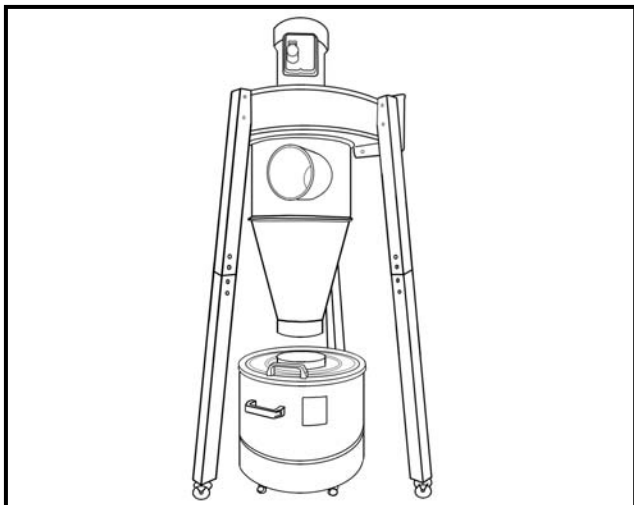


Figure-8 Putting the steel drum under the cyclone funnel

Install the Y-inlet to the collector body with the help of screws and washers provided. See figure-10.

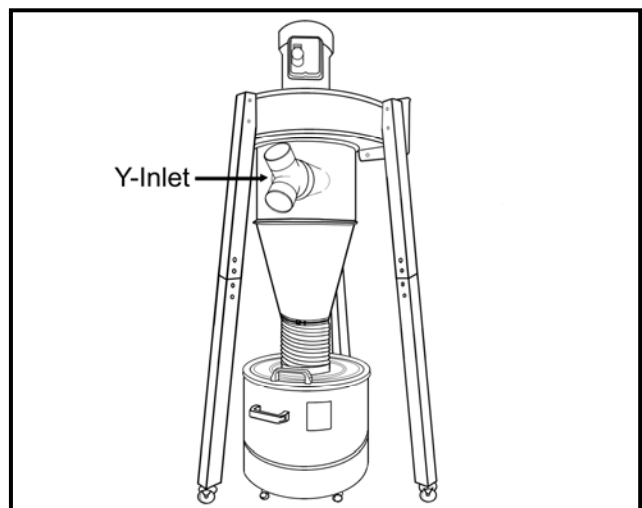


Figure-10 Installing the Y-inlet

Install the steel duct arm to the collector body using screws and washers. Take the canister filter and attach it to the elbow tube using screws and washers. See figure-11.

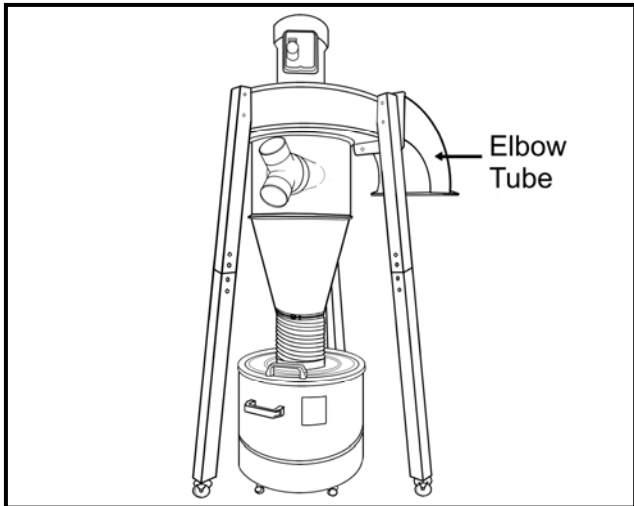


Figure-11 Installing the steel duct arm

Attach the canister cleaning handle on to the top part of the canister by tightening the bolt against the flat side of the shaft.

Install the canister filter to the steel duct arm with the help of screws and washers provided. See figure-12.

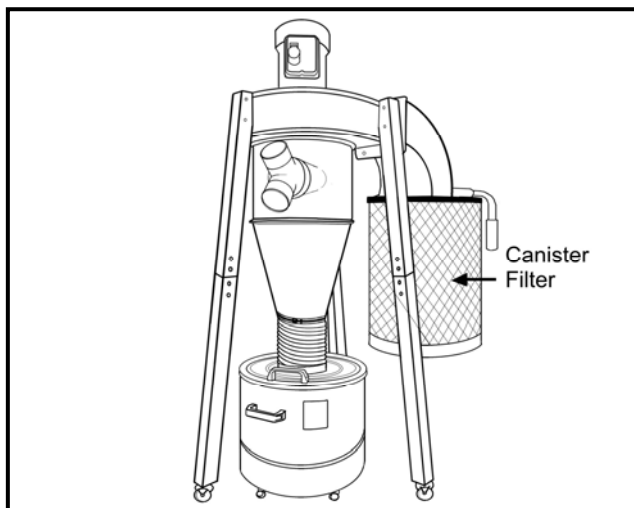


Figure-12 Installing the canister filter

Attach the remaining smaller plastic bag to the bottom of the canister filter using the belt clamp provided. See figure-13.

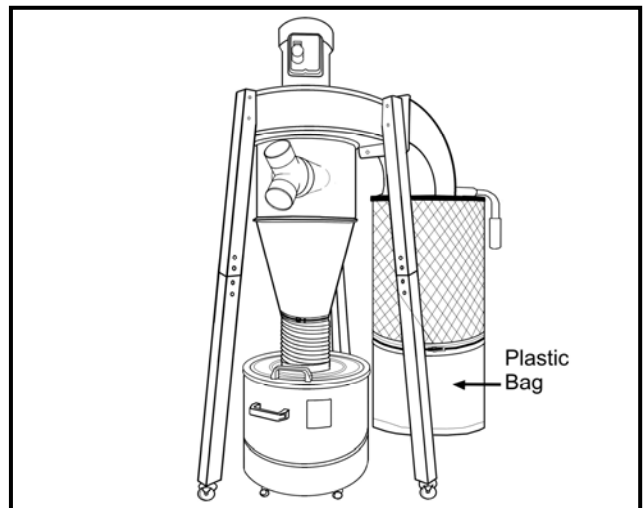


Figure-13 Installing the plastic bag

Attach the long hose to one end to the main housing and the other end to the collection drum. Secure it with the help of hose clamps provided. See figure-14.

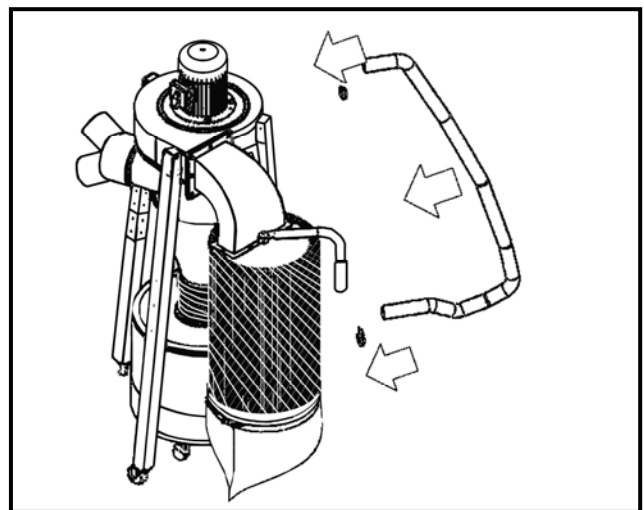


Figure-14 Attaching the hose

This hose provides negative pressure ensuring the drum and bag are secured while the machine is on.

## TEST RUN

Once you have assembled your machine completely, it is then time for a test run to make sure that the machine works properly and is ready for operation.

During the test run if there is any unusual noise coming from the machine or the machine vibrates strangely, stop the machine immediately and disconnect from the power source and investigate if you can find out the problem with your machine.

If you find any part of the machine that is not assembled properly, read the assembly section of manual and re-assemble that part according to the instructions provided.



### ***Read the manual***

*Before starting the dust collector, make sure that you have read and understood the manual and you are familiar with the functions and safety features on this machine. Failure to do so may cause serious personal injury.*

## MAINTENANCE

During the life time of your machine, you will need to practice some regular maintenance to keep your cyclone dust collector in peak performance condition.

The following should be checked daily, after use:

- ❖ Loose mounting parts and screws
- ❖ Damaged wires
- ❖ Plastic bag leak
- ❖ Suction Leaks
- ❖ Any condition that can make the operation unsafe

### **WARNING**

*Always turn off the machine and disconnect the cord from the power source, before performing maintenance. Failure to do so may result in serious personal injury.*

## EMPTYING THE DRUM

You should empty the collection when it is approximately 3/4 full. If the drum is full and you continue to use the Cyclone, you may have larger dust particles enter the filter and damage the canister.

During your first few uses of the machine, continue to check the drum and to see how quickly it fills up. This will give a good idea about maintenance in the future. Machines such as table saws and sanders produce fine dust and will fill the drum slower than machines such as planers and jointers which produce curly shavings.



Figure-15 Collection drum

## CLEENING THE CANISTER FILTER

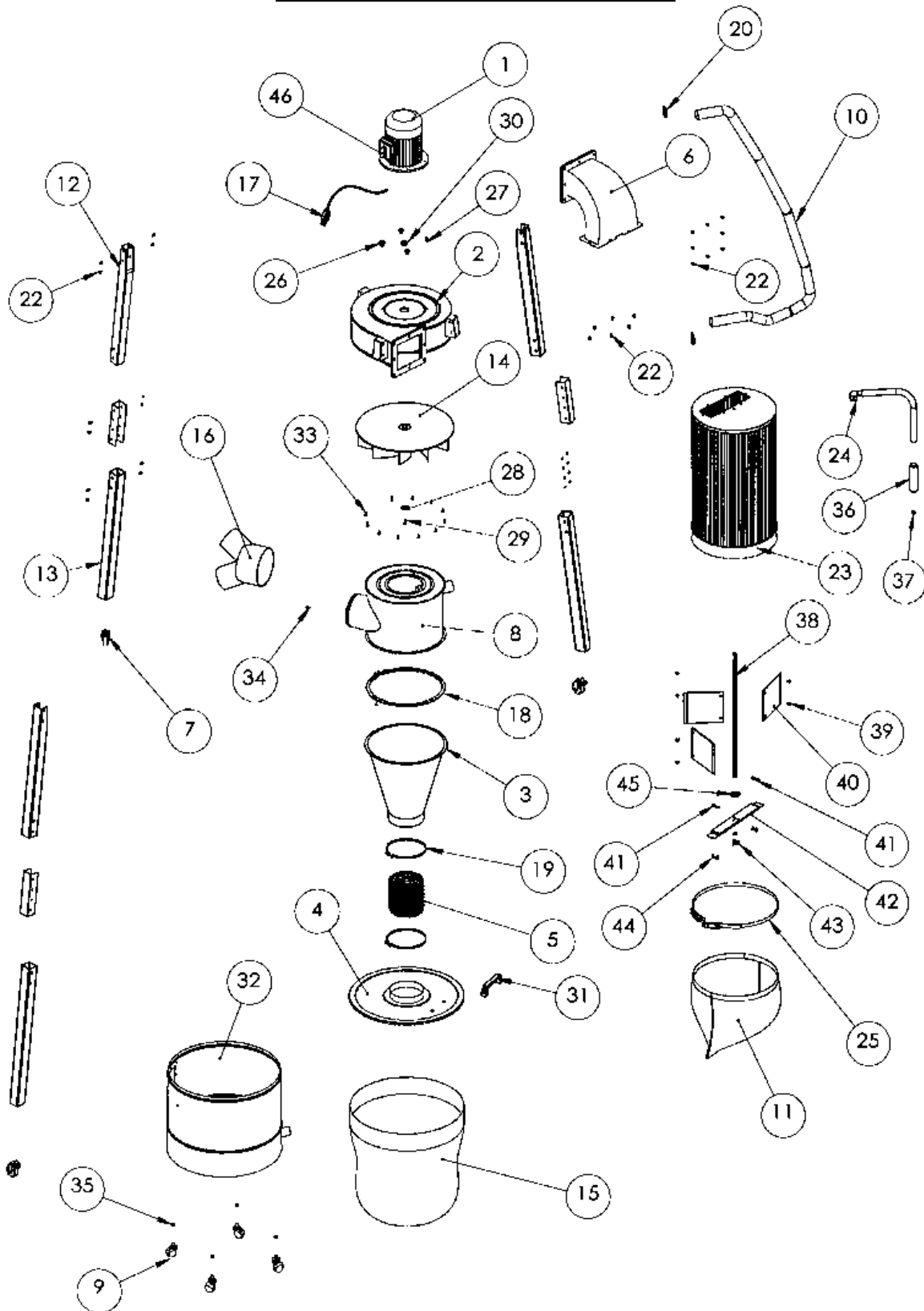
The canister on your CX401 is equipped with a handle to clean the built-up dust from the canister filter pleats.

To clean the filter, rotate the handle back and fort in each direction. The built up dust from the inner walls of the canister filter falls into the plastic bag.



Figure-16 Canister filter cleaning handle

# CX401-1HP Two Stage Cyclone Dust Collector PARTS BREAKDOWN



## CX401-1HP Two Stage Cyclone Dust Collector PARTS LIST

REF#	DESCRIPTION	REF#	DESCRIPTION
1	Motor	24	"L" Type Handle
2	Main Housing	25	Belt Clamp
3	Reducing Collector	26	Washer 5/16"
4	Drum Lid	27	Hex Bolt 5/16" x 1"
5	Hose 7"	28	Impeller Washer
6	Elbow tube	29	Cap Screw M6*16 (LH)
7	Caster	30	Motor Spacer
8	Collector	31	Handle
9	Caster	32	Steel Drum
10	Hose 1-1/2	33	Phip. HD.Flange Screw 3/16*1"x9
11	Plastic Bag (Small)	34	Phip. HD. Screw 3/16 * 1" 10
12	Upper Leg	35	Nut 5/16"
13	Lower Leg	36	Sleeve
14	Impeller 12-3/4"	37	Cap
15	Plastic Bag (Big)	38	Hex Spindle
16	6" x 4" x " Y-Inlet	39	Hex Bolt M6 x 10
17	Power Cord	40	Flapping Plate
18	Round Steel Clamp	41	Support Tab
19	Hose Clamp 7"	42	Button Plate
20	Hose Clamp 1-3/4"	43	Pjhip. Hd. Screw M6 x 10
22	Button Hd Screw 5/16"x1/2"	44	Phip. HD. Screw M5 x 15
23	Canister Filter	45	Bearing Plate



## WARRANTY

### CRAFTEX LIMITED 3 YEARS WARRANTY

Craftex warrants every product to be free from defects in materials and agrees to correct such defects where applicable. This warranty covers **three years** for parts and 90 days for labour (unless specified otherwise), to the original purchaser from the date of purchase but does not apply to malfunctions arising directly or indirectly from misuse, abuse, improper installation or assembly, negligence, accidents, repairs or alterations or lack of maintenance.

*Proof of purchase is necessary.*

All warranty claims are subject to inspection of such products or part thereof and Craftex reserves the right to inspect any returned item before a refund or replacement may be issued.

This warranty shall not apply to consumable products such as blades, bits, belts, cutters, chisels, punches etceteras.

Craftex shall in no event be liable for injuries, accidental or otherwise, death to persons or damage to property or for incidental contingent, special or consequential damages arising from the use of our products.

### RETURNS, REPAIRS AND REPLACEMENTS

To return, repair, or replace a Craftex product, you must visit the appropriate Busy Bee Tools showroom or call 1-800-461-BUSY. Craftex is a brand of equipment that is exclusive to Busy Bee Tools.

For replacement parts directly from Busy Bee Tools, for this machine, please call 1-800-461-BUSY (2879), and have your credit card and part number handy.

- All returned merchandise will be subject to a minimum charge of 15% for re-stocking and handling with the following qualifications.
- Returns must be pre-authorized by us in writing.
- We do not accept *collect* shipments.
- Items returned for warranty purposes must be insured and shipped pre-paid to the nearest warehouse
- Returns must be accompanied with a copy of your original invoice as proof of purchase. Returns must be in an un-used condition and shipped in their original packaging a letter explaining your reason for the return. Incurred shipping and handling charges are not refundable.
- Busy Bee will repair or replace the item at our discretion and subject to our inspection.
- Repaired or replaced items will be returned to you pre-paid by our choice of carriers.
- Busy Bee reserves the right to refuse reimbursement or repairs or replacement if a third party without our prior authorization has carried out repairs to the item.
- Repairs made by Busy Bee are warranted for 30 days on parts and labour.
- Any unforeseen repair charges will be reported to you for acceptance prior to making the repairs.
- The Busy Bee Parts & Service Departments are fully equipped to do repairs on all products purchased from us with the exception of some products that require the return to their authorized repair depots. A Busy Bee representative will provide you with the necessary information to have this done.
- For faster service it is advisable to contact the nearest Busy Bee location for parts availability prior to bringing your product in for repairs.