



OWNER'S MANUAL



CT029N – 1HP DUST COLLECTOR



COPYRIGHT © 2010 BY CRAFT EX INDUSTRIES INC.

NO PORTION OF THIS MANUAL MAY BE PRODUCED WITHOUT
THE WRITTEN CONSENT OF CRAFT EX INDUSTRIES INC.



CT029N DUST COLLECTOR

INDEX

GENERAL SAFETY INSTRUCTIONS	PAGE 3
SPECIFIC SAFETY INSTRUCTIONS	PAGE 4
Features	Page 5
Illustrated Features	Page 6
Unpacking	Page 7
Assembly	
Base Plate Assembly	Page 8
Post Assembly	Page 8
Motor & Impeller Assembly	Page 9
Collector Assembly	Page 10
Grounding	Page 11
Installing Bags	Page 11
Grounding	Page 12
Connecting to Power Source	Page 13
Useful Notes	Page 14
Schematic Drawing	Page 15
Parts List	Page 16
Optional Accessories	Page 17
Warranty	Page 18

GENERAL SAFETY INSTRUCTIONS

EXTREME CAUTION SHOULD BE USED IN OPERATING ALL POWER TOOLS. KNOW YOUR POWER TOOL, BE FAMILIAR WITH ITS OPERATION. READ THE OWNER'S MANUAL AND PRACTICE SAFE USAGE PROCEDURES AT ALL TIMES.

- ❑ **CONNECT** your machine **ONLY** to the matched and specified power source.
- ❑ **WEAR SAFETY GLASSES, RESPIRATORS, HEARING PROTECTION** and **SAFETY SHOES** when operating heavy machinery. **Always wear safety glasses.**
- ❑ **DO NOT** wear loose clothing or jewellery when operating machinery.
- ❑ **A Safe Environment is important.** Keep the area free of dust, dirt and other debris in the immediate vicinity of the machine.
- ❑ **BE ALERT!** Do Not Use prescription or other drugs that may affect your ability or judgement to safely use this machine.
- ❑ **DISCONNECT** the power source when changing drill bits, hollow chisels or making other adjustments or repairs.
- ❑ **NEVER** leave an operating tool unattended.
- ❑ **NEVER** reach over the table when the tool is in operation.
- ❑ **ALWAYS** keep blades, knives or bits sharp and properly aligned.
- ❑ **ALWAYS** keep all safety guards in place and ensure their proper function.
- ❑ **ALWAYS** use push sticks and featherboards to safely feed your work through the machine.
- ❑ **ALWAYS** make sure that any tools used for adjustments are removed before operating the machine.
- ❑ **ALWAYS** secure your work with the appropriate clamps or vises.
- ❑ **ALWAYS** keep bystanders safely away while operating machinery.
- ❑ **THINK SAFETY. WORK SAFELY.** Never attempt a procedure if it does not feel safe or comfortable.

CT029N SPECIFIC SAFETY INSTRUCTIONS

FOR YOUR HEALTH, DUST COLLECTION IS NOW A NECESSITY NOT A LUXURY

- ❑ The CT029N is designed to collect sawdust ONLY.
- ❑ **NEVER** attempt to use this Dust Collector to vacuum water or any other liquids.
- ❑ **NEVER** try to use this Dust Collector to collect large wood scraps.
- ❑ **NEVER** attempt to use this Dust Collector to collect metal materials such as screws, nails or other metal parts.
- ❑ **NEVER** remove the filter bag or the collection bag with the motor operating.
- ❑ **NEVER** operate the Dust Collector with all blast gates closed.
- ❑ **ALWAYS** disconnect the CT029N from its power source when changing or emptying the bags.
- ❑ **ALWAYS** be sure that the collection and filter bags are securely fastened to the Collector Body.

CT029N DUST COLLECTOR FEATURES

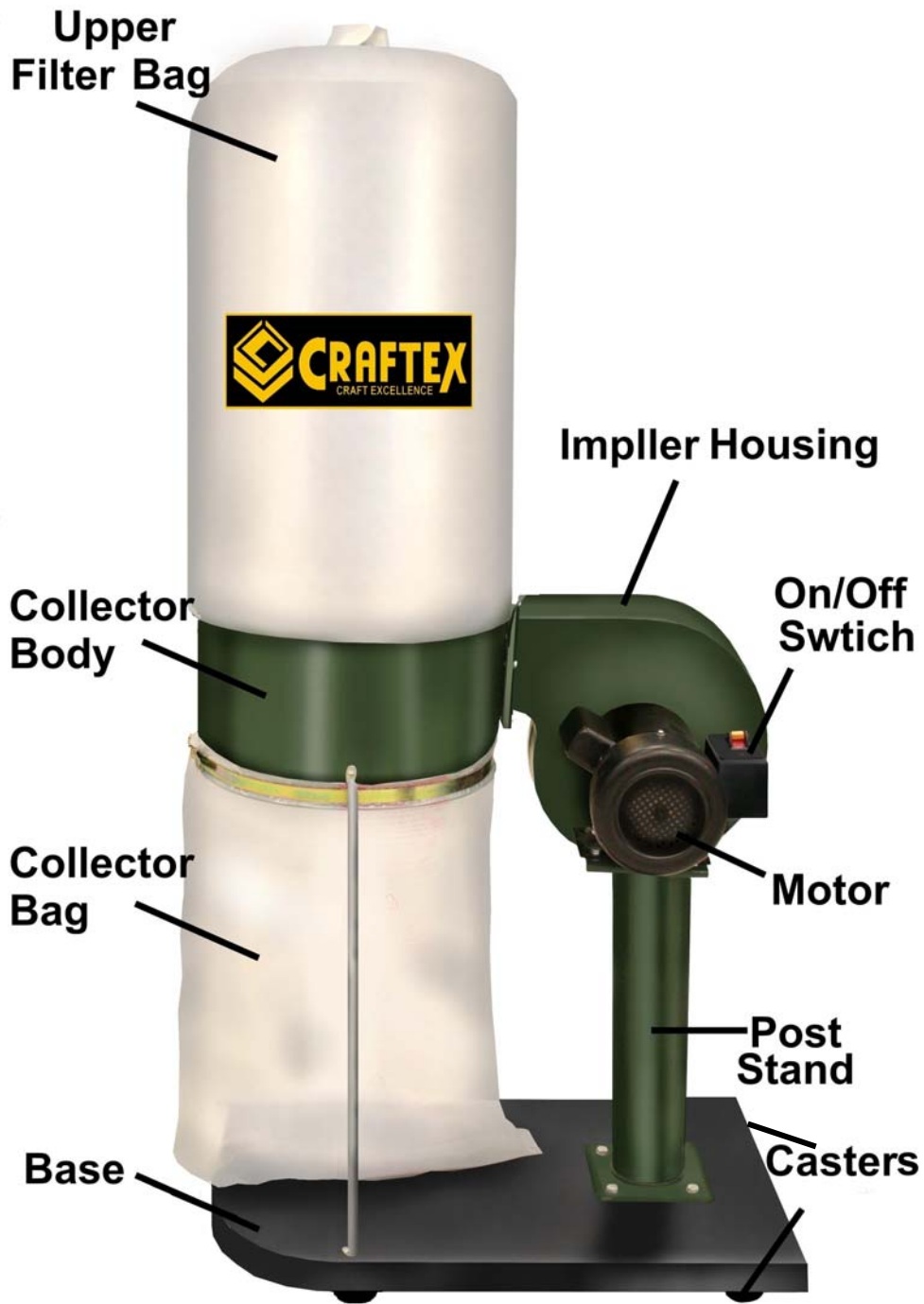
As part of the growing line of **Craftex** woodworking equipment, we are proud to offer the CT029N Professional Dust Collection System. The **Craftex** name guarantees Craft Excellence. By following the instructions and procedures laid out in this owner's manual, you will receive years of excellent service and satisfaction. The CT029N is a professional tool and like all power tools, proper care and safety procedures should be adhered to.

This powerful low-noise factor dust collector is portable or may be set up in semi permanent locations. Transparency of the lower bag (made of polyethylene) allows you to view the contents without constantly opening the bag.

- ❑ Motor – 1 HP, 110 volt, 7 amps.
- ❑ Safety Power Switch with removable key.
- ❑ Balanced steel impeller.
- ❑ Impeller size – 10”.
- ❑ Lower bag volume – 2.67 cubic feet.
- ❑ Transparent Polyethylene lower collector bag for content visibility.
- ❑ Static Pressure – 6”.
- ❑ Air suction capacity – **825 CFM**.
- ❑ Intakes – 1 @ 4”.
- ❑ **One-Micron** upper filtration bag.
- ❑ Mobile base for ease of movement.
- ❑ May be installed without casters for stationary use.
- ❑ Includes a standard Grounding Kit.
- ❑ Weight – 28kg.



CT029N DUST COLLECTOR ILLUSTRATED FEATURES



CT029N DUST COLLECTOR UNPACKING

Your Craftex CT029N Dust Collector is shipped in one carton and care should be taken to be certain that all components are carefully removed.

The parts include:

- * Impeller Fan and Motor.
- * Collector Body.
- * Stand Post.
- * Mobile Base Unit.
- * 2 Blast Gates.
- * "Y" Fitting.
- * Elbow Fitting.
- * Gasket.
- * Filter Bag.
- * Collector Bag.
- * Castors.
- * Assembly Parts.
- * Owners Manual.

- * BONUS - \$ 30.00 worth of Free Accessories
(1-pc Y-Fitting 4")
(1-pc Elbow 4")
(2-pc Blast Gates 4")
(1-pc Grounding Kit)



CT029N DUST COLLECTOR Assembly Instructions

Base Plate Assembly

You will first want to start by assembling the base and casters.

Select the Base Plate and turn it upside down.

Select the 4 Castors and the 16 pan-Head Screws and install the casters to the inverted Base Plate.



Note: Ignore the above steps if you wish the CT029N to be a stationary tool.

Post Stand Assembly

With the Base Plate in the upright position, select the Post and mount it on the 4 holes in the Base Plate with the 4 Hex-Head bolts and tighten securely. You now have the lower portion of your dust collector complete.



CT029N DUST COLLECTOR Assembly, Cont'd

Motor and Impeller Assembly

Select the Motor/Impeller unit and attach it to the Post as shown with 4 Hex Bolts. Tighten securely.

Be certain that the square flange on the impeller is facing the rounded end of the Base Plate.



Rubber Gasket

After you are done mounting the motor to the post stand take the rubber gasket and place it on the flange at the motor/impeller opening as you can see in the figure.



CT029N DUST COLLECTOR Assembly, Cont'd

Collector Assembly

Select the 6 Hex Bolts from the parts package and assemble the Collector to the Motor/Impeller unit as illustrated and tighten securely.



Appearance

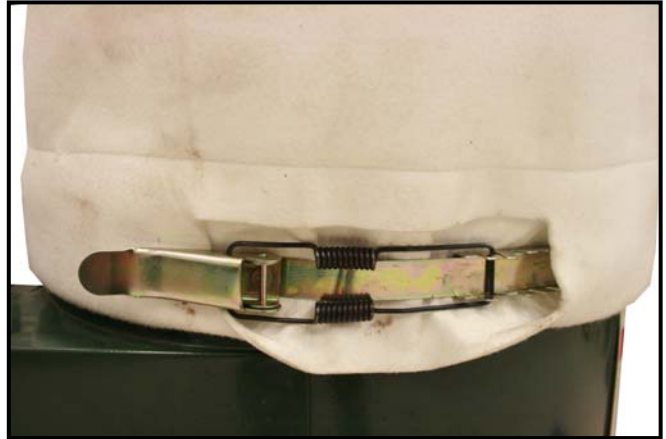
At this stage of the assembly instructions, your CT029N Dust Collector should look like this.



CT029N DUST COLLECTOR Assembly, Cont'd

Installing Collector and Filter Bags

The cloth, 1 Micron, Filter Bag should be attached to the upper portion of the Collector with the straps sewn into the bag as shown.



The Polyethylene Collector Bag is attached to the bottom of the Collector as illustrated.



CT029N DUST COLLECTOR Grounding System

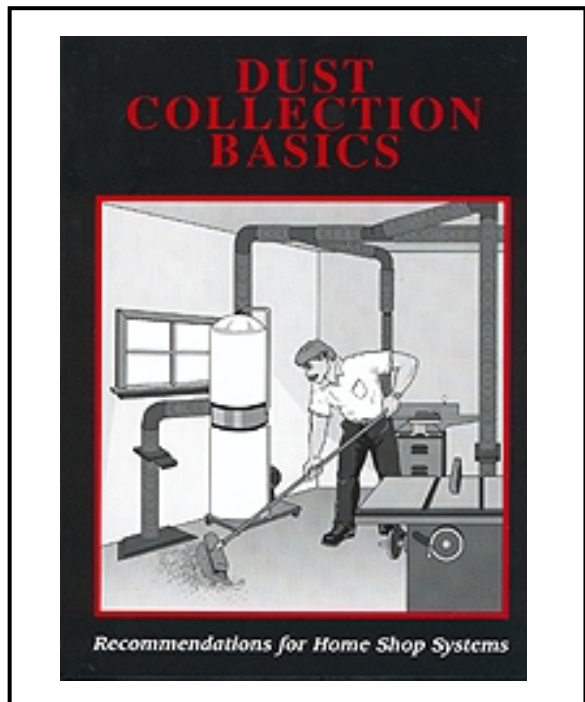
Craftex has included a grounding system with the CT029N to decrease the shock hazard (although extremely rare). The sawdust being collected becomes very dry as it travels through the collection pipes or tubes and as it spins through the system it creates a static charge. If this is not grounded, it could give the tool operator a static shock. Although the electrical shock is extremely minor, it may have consequences to some individuals.



Grounding Kit Model # W1053

The grounding of the pipes or tubes will help eliminate the possibility of these shocks. The copper wire included with the grounding kit should be connected to the steel chassis of the dust collector and fed through a small hole made in the tubing or pipe. The wire should then be fed to the tool being used and grounded to the steel chassis. Should there be more than one tool connected (through gates) to the CT029N, they should all be grounded as described above.

For more information in regards to this, you may refer to the 'Dust Collection Basics' book, model W1053. This book covers all topics in regards to home dust collection for the workshop.



Dust Collection Basics Book
Model # W1050

Connecting CT029N to the Power Source

Your CT029N Dust Collector is equipped with a Safety Switch that has a removable key. This key will help prevent unauthorized use of the tool.

The CT029N is also equipped with a three-prong grounding plug. Under no circumstances should the long grounding prong be tampered with. The CT029N must be connected to a properly grounded power outlet.

Your CT029N is now ready to connect to your power tools through the use of 4" dust collection hoses or ducts to help keep your shop dust-free.

Remember; do not use this machine for anything other than collecting sawdust. Failure to do so could result in malfunction of the machine and may void the warranty.



Useful Notes

Wood dust can be very dangerous is one is exposed to it very often. As dust collection had gained popularity over the years, so has consumer knowledge about this concern, but it is always good to know just how dangerous wood dust can be if overexposure and or unsafe woodworking practice takes place.

Health Risk and Hazards that can be caused by exposure to wood dust include the following:

- Asthma
- Eye Irritation
- Hypersensitivity
- Skin Irritation
- Dermatitis
- Suberosis
- Acute Airway Obstructions
- Chronic Bronchitis
- Granulomatous Pneumonitis
- Nasal Cancer

Formulas

Velocity (FPM) = Volume (CFM) / Cross Sectional Area (ft.²)

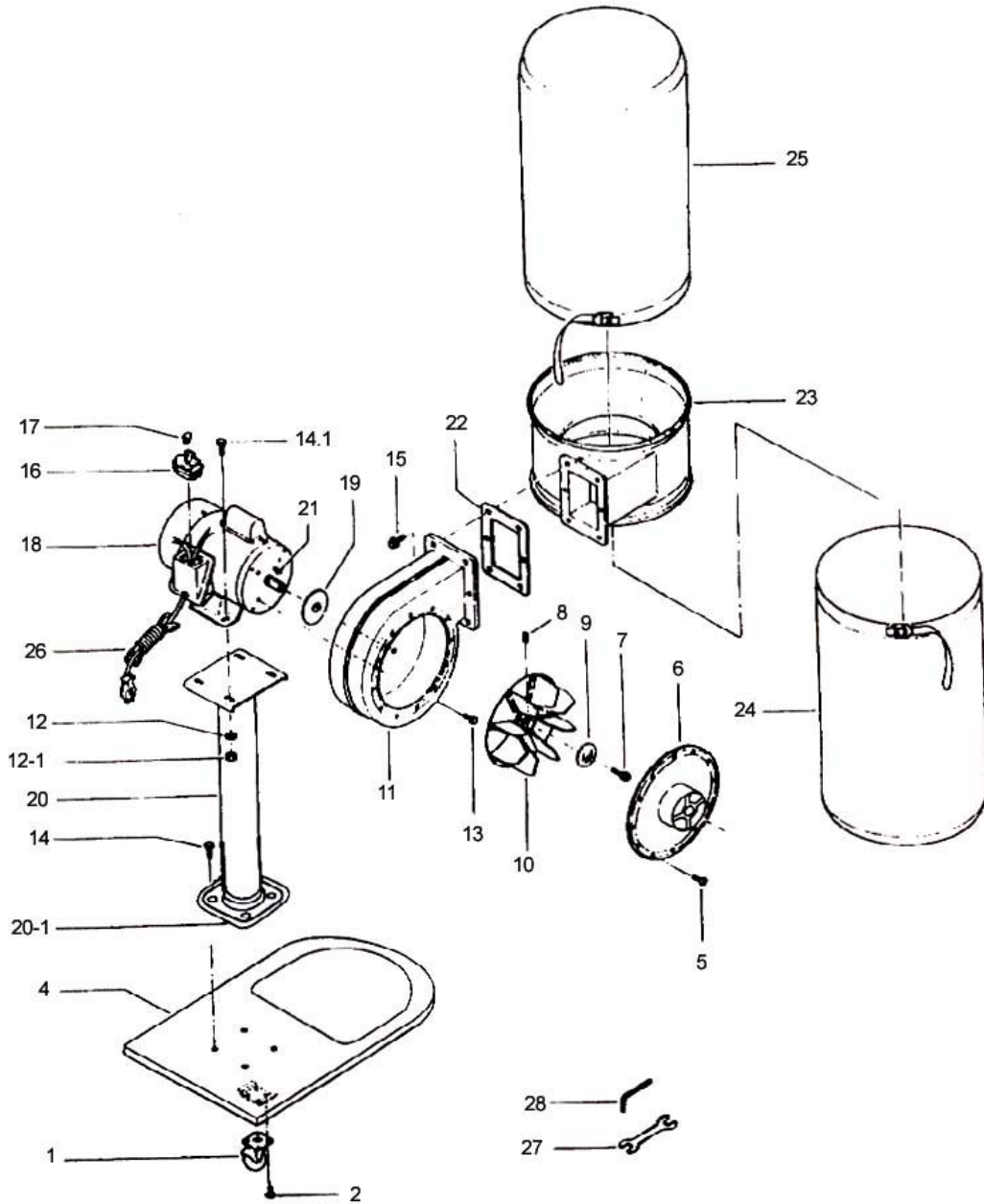
Volume (CFM) = Velocity (FPM) x Cross Sectional Area (ft.²)

Cross Sectional Area (ft.²) = Volume (CFM) / Velocity (FPM)

Circle Area = 3.142 x Radius²

Diameter = 2 x Radius

CT029N DUST COLLECTOR SCHEMATIC DIAGRAM



CT029N DUST COLLECTOR Parts List

Part	Description	Size	Qty
1	Caster		4
2	Pan Head Screw	3/16 x 5/16	16
4	Base Plate		1
5	Pan Head Screw	3/16 x 3/8	12
6	Inlet Cover		1
7	Hex Screw	M6 x 20	1
8	Set Screw	5/16 x 5/16	1
9	Washer		1
10	Turbo Fan		1
11	Collector Body		1
12	Washer	5/16	4
12-1	Nut	5/16	4
13	Hex Screw	1/4 x 1/2	4
14	Hex Screw	5/16 x 1/2	4
14-1	Hex Screw	5/16 x 3/4	4
15	Hex Screw	1/4 x 1/2	6
16	Switch		1
17	Switch Key		1
18	Motor		1
19	Gasket		1
20	Column		1
20-1	Column Flange		1
21	Key	5mm x 5mm x 30mm	1
22	Packing		1
23	Collector		1
24	Collector bag		1
25	Filter Bag		1
26	Power Cord		1
27	Open End Wrench	10mm x 12mm	1
28	Hex Wrench	5mm	1

OPTIONAL ACCESSORIES

PVC FLEX HOSE

PH003 - 3" PVC Pipe ~ per foot, or 50 ft. Roll
PH004 - 4" PVC Pipe ~ per foot, or 50 ft. Roll
PH00425 - 4" PVC Pipe ~ 25 feet. Roll
PH004FX - 4" Super Flex PVC Pipe - 10 ft. Sections
PH005 - 5" PVC Pipe ~ per foot, or 50 ft. Roll



Dust Accessories Kit For 4" Fittings

Model – W1055

Kit #2 to service two machines
Two blast gates, two 10' hoses, one table saw hood, one universal hood, one "Y" fitting, ten hose clamps
17 pieces



Replacement Bags for CT053

Model - B1140B - Bottom Dust Bag - 30 micron
Model - B1140BT - Top Dust Bag - 30 micron
Model - CT034 - Bottom plastic bags for (5pcs)
Model - CT032 - 1-micron replacement bag
Model - CT155 - Easy On Dust Collection Bags (5pcs)
Steel Straps Clamps – Model CT036 - 2pc clamp set



Dust Accessories Kit For 4" Fittings

Model - W1054

Kit # 1 to service one machine
10' hose, one universal hood, two hose clamp
4 pieces

Canister Upgrade Kit

CT029CHN





WARRANTY

CRAFTEX 3 YEAR LIMITED WARRANTY

Crafttex warrants every product to be free from defects in materials and agrees to correct such defects where applicable. This warranty covers **three years** for parts and 90 days for labour (unless specified otherwise), to the original purchaser from the date of purchase but does not apply to malfunctions arising directly or indirectly from misuse, abuse, improper installation or assembly, negligence, accidents, repairs or alterations or lack of maintenance. *Proof of purchase is necessary.*

All warranty claims are subject to inspection of such products or part thereof and Crafttex reserves the right to inspect any returned item before a refund or replacement may be issued.

This warranty shall not apply to consumable products such as blades, bits, belts, cutters, chisels, punches etceteras.

Crafttex shall in no event be liable for injuries, accidental or otherwise, death to persons or damage to property or for incidental contingent, special or consequential damages arising from the use of our products.

RETURNS, REPAIRS AND REPLACEMENTS

To return, repair, or replace a Crafttex product, you must visit the appropriate Busy Bee Tools showroom. Crafttex is a brand of equipment that is exclusive to Busy Bee Tools.

For replacement parts directly from Busy Bee Tools, for this machine, please call 1-800-461-BUSY(2879), and have your credit card and part number handy.

- All returned merchandise will be subject to a minimum charge of 15% for re-stocking and handling with the following qualifications.
- Returns must be pre-authorized by us in writing.
- **We do not accept collect shipments.**
- Items returned for warranty purposes must be insured and shipped pre-paid to the nearest warehouse (see locations on inside back cover of this manual).
- Returns must be accompanied with a copy of your original invoice as proof of purchase. Returns must be in an unused condition and shipped in their original packaging a letter explaining your reason for the return. Incurred shipping and handling charges are not refundable.
- Busy Bee will repair or replace the item at our discretion and subject to our inspection.
- Repaired or replaced items will be returned to you pre-paid by our choice of carriers.
- Busy Bee reserves the right to refuse reimbursement or repairs or replacement if a third party without our prior authorization has carried out repairs to the item.
- Repairs made by Busy Bee are warranted for 30 days on parts and labour.
- Any unforeseen repair charges will be reported to you for acceptance prior to making the repairs.
- The Busy Bee Parts & Service Departments are fully equipped to do repairs on all products purchased from us with the exception of some products that require the return to their authorized repair depots. A Busy Bee representative will provide you with the necessary information to have this done.
- For faster service it is advisable to contact the nearest Busy Bee location for parts availability prior to bringing your product in for repairs.

