



# VESUVIO 800G HYBRID OVEN



MODEL	FUEL TYPE
VESUVIO 800G AND NG HYBRID	HYBRID GAS OR WOOD

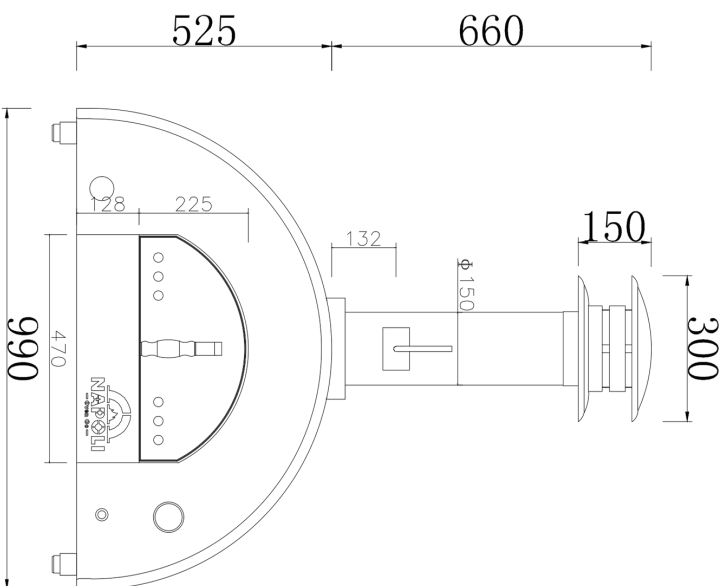
## SPECIFICATIONS

WEIGHT:	148	SUGGESTED FUEL	LPG, NG OR HARDWOOD
COOKING FLOOR	800 X 600 WITH BURNER	CONSTRUCTION	316 Stainless steel Dual Layer Inner Shell, 304 Dual Layer Door, High Heat Powder Coated Dome, 304 Powder coated Chimney. 120mm Refractory floor layering
FUEL TYPE	LPG,NG OR WOOD	FUEL CONSUMPTION	2KG Per Hour * Australian Hard Wood 50 MJ/H (NG/LPG)
HEAT UP TME	35	STAND OPTION	Available
MAX TEMP	500	PIZZA VOLUME	2-4

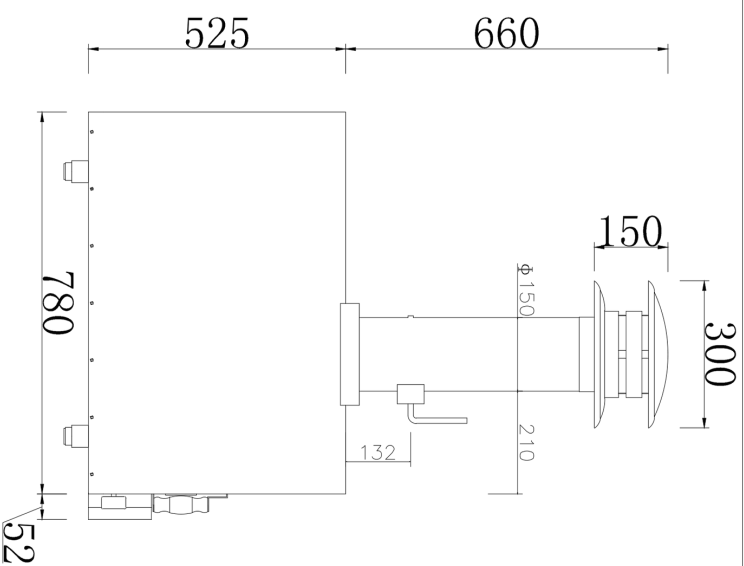
Designed and Engineered for Australian Conditions- 5 Year Limited Warranty

# VESUVIO 800G

Front view



Side view



Back view

