

## Installation Guide

Model Name	Model No.
Wireless Video Intercom System	<b>VL-SWD272</b>
Video Intercom System	<b>VL-SVD272</b>
Main Monitor Station	<b>VL-MWD272</b>

- This guide is for use with the above 3 models.

VL-V522L



Door station

VL-MWD272



Main monitor station

- The Installation Guide in Indonesian can be accessed from the following site:  
<http://panasonic.net/pcc/support/intercom/swd272>
- Door station is described as "doorphone" and Main monitor station is described as "main monitor" in this guide.
- In this guide, the suffix of each model number (e.g., the "BX" in "VL-SWD272BX") is omitted unless necessary.

### Note to the installer

- Before attempting to connect or operate this product, please read the label on the rear of the doorphone and the main monitor/extension monitor.
- Please read this guide carefully, and install the product safely and correctly by following the instructions. Carefully read the information found in the section titled "For your safety" in particular.
- Only use attachments/accessories specified by the manufacturer.
- The installation shall be carried out in accordance with all applicable installation rules.
- Panasonic assumes no responsibility for injuries or property damage resulting from failures arising out of improper installation or operation inconsistent with this guide. Additionally, any resulting malfunction will not be covered under the warranty.
- After installation, make sure to leave this guide with the customer.

Panasonic System Networks Co., Ltd.

1-62, 4-chome, Minoshima, Hakata-ku, Fukuoka 812-8531, Japan

<http://www.panasonic.com>



\*PNQX8322ZA\*

© Panasonic System Networks Co., Ltd. 2016

**PNQX8322ZA** C0916MM0

## For your safety

To prevent severe injury and loss of life/property, read this section carefully before using the product to ensure proper and safe operation of your product.



### WARNING

#### Preventing fire, electric shock and short circuits

- **Leave installation work to the dealer. Installation work requires technique and experiences. Failure to observe this may cause fire, electric shock, injury, or damage to the product. Consult the dealer.**
- **Electrical connection work should be performed by certified personnel only. Certification is required for performing electrical connection work. Consult your dealer.**
- Do not attempt to disassemble or modify this product. Contact an authorised service centre for repairs.
- Never install wiring during a lightning storm.
- Do not connect non-specified devices.
- When opening holes in walls for installation or wiring, or when securing the power cable, make sure you do not damage existing wiring and ductwork.
- Do not make any wiring connections when the power supply is turned on.
- Do not install the main monitor/extension monitor in the following places:
  - Places where the main monitor/extension monitor may be splashed with water or chemicals.
  - Places where there is a high concentration of dust, or high humidity.
- Do not perform any actions (such as fabricating, twisting, stretching, bundling, forcibly bending, damaging, altering, exposing to heat sources, or placing heavy objects on the power cable) that may damage the power cable. Using the product with a damaged power cable may cause electric shock, short circuits, or fire. Contact an authorised service centre for repairs.
- When existing chime wires are used, it is possible that they contain AC voltage. Contact an authorised service centre.

#### Preventing accidents and injuries

- Do not install or use the product in health care facilities if any regulations posted in the area instruct you not to do so. Hospitals or health care facilities may be using equipment that could be sensitive to external RF (radio frequency) energy.
- Do not install or use this product near automatically controlled devices such as automatic doors and fire alarms. Radio waves emitted from this product may cause such devices to malfunction, resulting in an accident.



### CAUTION

#### Preventing electric shock

- If the wiring is underground, do not make any connections underground.
- If the wiring is underground, use a protection tube.
- If the wiring is outdoors, use a protection tube or a surge protector.

#### Preventing injury

- Install the product securely adhering to the instructions in this guide to prevent it from falling off the wall. Avoid installing onto low-strength walls, such as gypsum board, ALC (autoclaved lightweight concrete), concrete block, or veneer (less than 18 mm thick) walls.

---

---

## Supplied accessories for installation

For the doorphone*1
---------------------



Screw × 2  
(3.8 mm × 20 mm)

For the main monitor/extension monitor	
--	--



Mounting bracket × 1



Screw × 2  
(4 mm × 16 mm)

### Important:

- You will need the following additional items to install and configure the doorphone and the main monitor/extension monitor.

#### [Locally procured]

- Wires (for doorphone and other connections):  
Prepare wires of the appropriate specification. (→ "Wire type and length")

### Note:

- The illustrations in the supplied manual(s) may vary slightly from the actual product.

\*1 VL-SWD272/VL-SVD272 models only

---

---

## Precautions for installation

To avoid malfunction or communication disturbances, do not install the doorphone or the main monitor/extension monitor in the following locations:

- Places where vibration or any other kind of impact occurs.
- Places where echoing is frequent.
- Places near a high concentration of dust, hydrogen sulphide, ammonia, sulphur, or noxious fumes.

### For the doorphone

- If a strong light is shining on the doorphone, the visitor's face may not be distinguishable. Do not place the doorphone in the following locations:
  - Where most of the background is the sky.
  - Where the background is a white wall, and direct sunlight will reflect off it.
  - Where direct sunlight will shine on the doorphone.
- Do not place the doorphone in locations where echoing occurs, as this will cause the doorphone to beep frequently.
- Make sure the rear of the doorphone is not subject to water.
- Depending on the installation location, condensation may form on the doorphone's lens cover. This may cause images to become obscured. Condensation will dissipate as the temperature rises.

### For the main monitor/extension monitor

- Install the main monitor away from electronic appliances such as TVs, radios, personal computers, air conditioners, boiler control panels with intercom, home security equipment, wireless devices, or digital cordless phones.
- Do not install the main monitor/extension monitor in places where it will be affected by extremely high-frequency radio waves (near broadcasting antennas etc.). This may cause the display to flicker or an interrupting noise to occur.
- Leave at least 20 cm of space above, below, and to the left and right sides of the main monitor/extension monitor. Do not install on a wall that is deeply recessed.
- Do not install the main monitor/extension monitor inside a wall.
- Be sure to install the main monitor/extension monitor more than 5 m away from the doorphone.
- The product operates in the frequency range of 1.88 GHz and 1.90 GHz with a peak transmission power of 250 mW (max.). Refer to the "For best performance" section in the Operating Instructions.
- In areas surrounded by a high electrical field, disturbances may occur in the main monitor's/extension monitor's image or sound.



## Wire type and length

Wiring run	Wire type*1		
	Diameter		Length (Max.)
Doorphone – Main monitor – Extension monitor*2	ø 0.65 mm	22 AWG	100 m
	ø 1.0 mm	18 AWG	130 m
	ø 0.5 mm	CAT 5	50 m
Main monitor – Electric lock*3	ø 0.5 mm - ø 1.2 mm (24 AWG - 17 AWG)		According to the specifications of the connected device.
Main monitor – Connection device for option input (A contact)*3	ø 0.5 mm - ø 1.2 mm (24 AWG - 17 AWG)		According to the specifications of the connected device.
Main monitor – PBX	ø 0.65 mm	CAT 3 or 22 AWG	100 m

\*1 Type: Single-pair cable with outer sheath (jacket)

Conductor: Copper solid

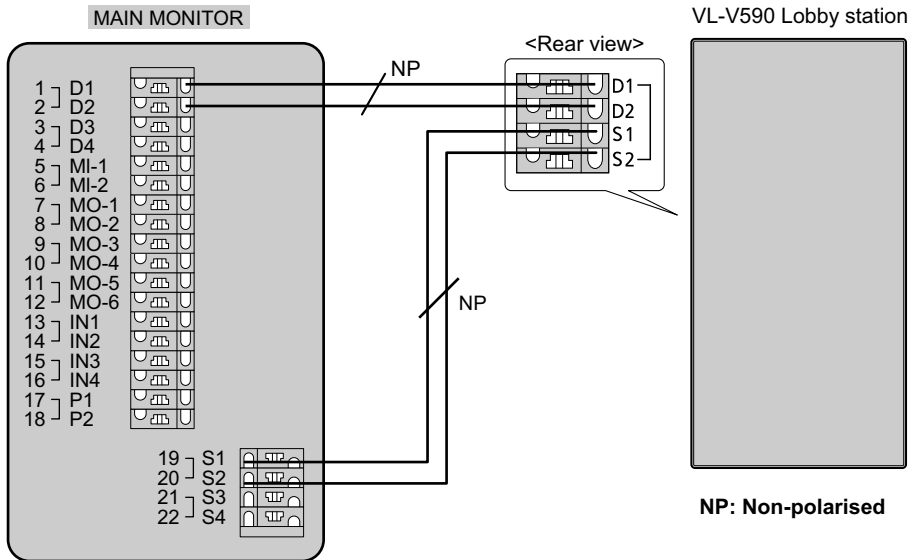
- A certified power supply wiring has to be used with this equipment. The relevant national installation and/or equipment regulations shall be considered. A certified power supply wiring not lighter than ordinary polyvinyl chloride flexible wiring according to IEC 60227 shall be used.

\*2 When an extension monitor is used, make sure that the total wiring length from the doorphone to the main monitor and then to the extension monitor, is within about 100 m.

\*3 When using an electric lock or a connection device for option input (A contact), select a device that meets the following guidelines:

- Electric lock connection terminal (S1/S2, S3/S4):
  - N/O dry closure contact
  - 30 V AC (1 A)/24 V DC (1 A) or lower
- Connection device for option input (A contact) terminal (IN1/IN2/IN3/IN4):
  - Input method: No-voltage contact
  - Open-circuit voltage between terminals: DC 7 V or less
  - Detection definite time: 0.1 second or more
  - Short-circuit between terminals: 5 mA or less
  - Resistance value: make: 500 Ω or less, break: 15 KΩ or more

## ■ Connecting an optional lobby station



<Be sure to perform the following to ensure proper operation>

- Connecting an optional VL-V590 lobby station
  - Connect terminal D1/D2 on the main monitor with terminal D1/D2 on the lobby station.
  - Connect terminal S1/S2 on the main monitor with terminal S1/S2 on the lobby station.
  - After connecting to the main monitor, change the [Lobby connection] setting to [Connected devices] using the main monitor. (→Operating Instructions of the Video Intercom System.)
- Connection for VL-V900 and VL-V700 series Video Intercom System for Apartment Complexes
  - Connect terminal D1/D2 on the main monitor with terminal D1/D2 on the VL-V701 Distribution Box.

### Note:

- For information about connections, refer to the documentation of the VL-V590 or VL-V900 and VL-V700 series.

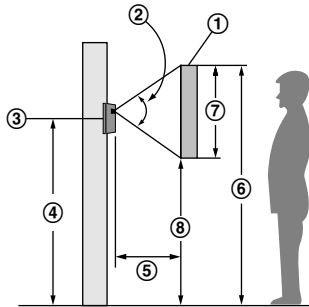
# Doorphone installation position

## Installation position of the doorphone and camera range

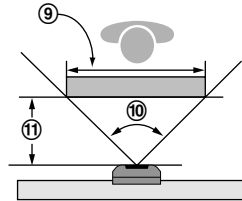
### Views when the camera is facing forwards at 0° (default).

- Example: Installation height is 1450 mm (standard position).

(Units: mm)



### A view when looking from above



- ① Image range ② Approx. 66° ③ Centre of doorphone ④ Approx. 1450 ⑤ Approx. 500  
 ⑥ Approx. 1810 ⑦ Approx. 650 ⑧ Approx. 1160 ⑨ Image range: Approx. 960 ⑩ Approx. 87°  
 ⑪ Approx. 500

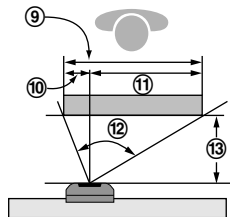
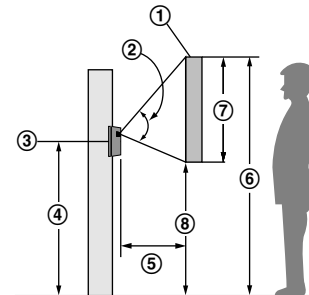
The camera angle can be adjusted using the camera angle control lever on the rear of the doorphone (step 3, "Installing the doorphone"), so that the image range can be changed.

### Side view when the camera is installed lower than the standard position, and facing upwards at 15°.

- Example: Installation height is 1100 mm. (Units: mm)

### Top view when the camera is facing left or right at 15°\*1.

- Example: Camera angle faces left 15°.



- ① Image range ② Approx. 66° ③ Centre of doorphone ④ Approx. 1100 ⑤ Approx. 500  
 ⑥ Approx. 1690 ⑦ Approx. 710 ⑧ Approx. 980 ⑨ Image range: Approx. 1080 ⑩ Approx. 270  
 ⑪ Approx. 810 ⑫ Approx. 87° ⑬ Approx. 500

\*1 If the camera points 15° upwards, the left or right angle is less than 7°.

### Note:

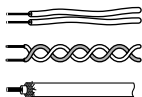
The measurements and angles are for reference purposes and may vary depending on the environment.



# Installing the doorphone

## Important:

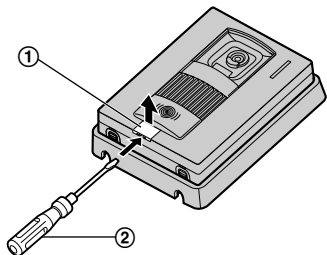
- On the bottom surface of the doorphone and the mounting base, there are holes to allow water to drain. Do not cover them up when installing.
- When existing wiring (such as chime wires) is used:
  - It may contain AC voltage that may cause electric shock and/or damage the product.
  - Never use the following types of wiring. Consult a qualified technician/dealer.



- See "Wire type and length" for information about wiring materials.

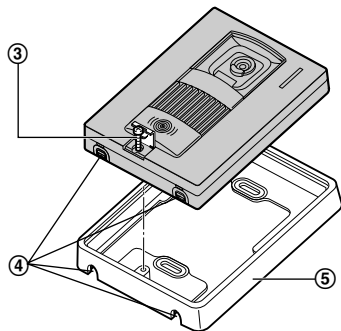
## 1 Remove the mounting base.

- 1 Open the screw cover (1).



② ⊖ Screwdriver

- 2 Loosen the mounting screw (3).

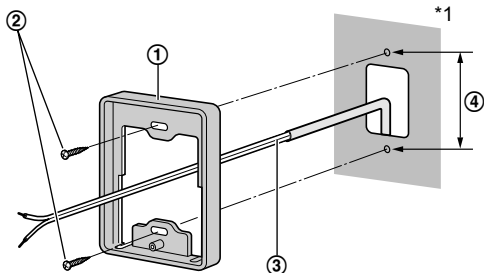


④ Water drain holes

⑤ Mounting base

## 2 Attach the mounting base (1) to the wall securely using the wood screws (2) (accessory).

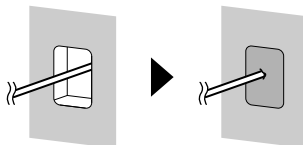
- Install the mounting base on a vertical flat wall.
- Before drilling, refer to "Precautions for installation" for installation location.



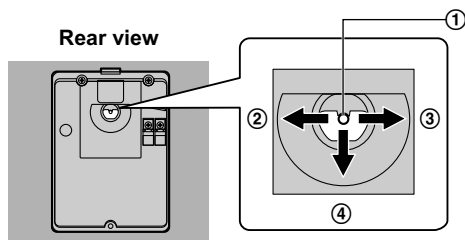
③ Wire (locally procured)

④ 83.5 mm

- \*1 To prevent dew condensation, fill a hole for wiring as much as possible.



## 3 Adjust the camera angle using the camera angle control lever.



① Camera angle control lever

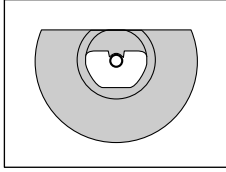
② Left (maximum 15°)

③ Right (maximum 15°)

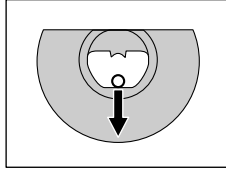
④ Upwards (maximum 15°)

## Examples of camera angle

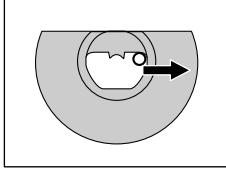
Facing forwards



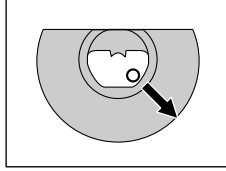
Facing upwards



Facing right



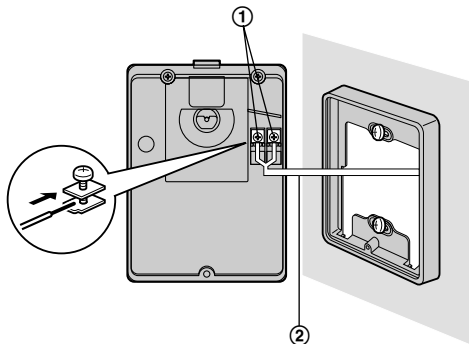
Facing upper right



- The angle can also be adjusted to the left or upper left.

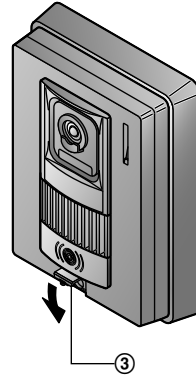
### Important:

- When the camera angle is adjusted to the upper left or upper right, the image may be slightly distorted.
- 4** Connect the wire, then mount the doorphone to the mounting base.
- 1** Unscrew the screws.  
Push in the wire to the terminal connectors (non polar), then tightly fasten the screws (1).
- ① – Recommended torque: 0.5 N·m {5.1 kgf·cm}
  - Maximum torque: 0.7 N·m {7.1 kgf·cm}



② Wire (connecting to the main monitor)

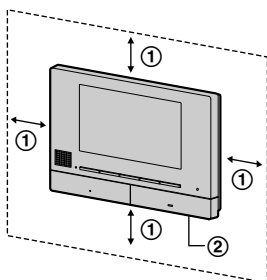
- 2** Mount the doorphone to the mounting base. Fasten the screw, then close the screw cover (3).



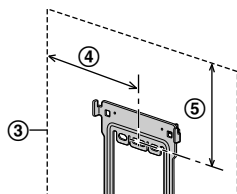
## Main monitor/extension monitor installation position

### About the installation position of the main monitor/extension monitor and mounting bracket

- Place the main monitor/extension monitor in a location that your eyes are the same height as the centre of the display.
- For the following reasons, leave at least 20 cm (①) of space above, below, and to the left and right sides of the main monitor/extension monitor:
  - To prevent malfunction and sound cutting out
  - To ensure to make sure the reset button (②) can be used (the reset button is on the bottom of the main monitor/extension monitor)



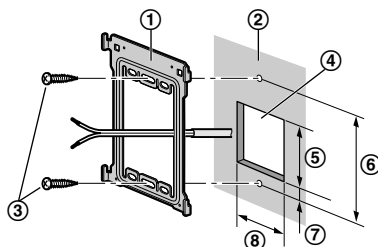
- After deciding where to install the main monitor/extension monitor, attach the mounting bracket in the location shown below.



- ③ Main monitor/extension monitor installation position
- ④ 121.5 mm
- ⑤ 58 mm

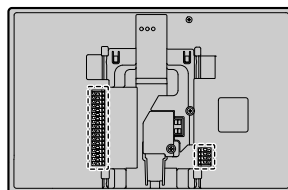
## Installing the main monitor/extension monitor

- 1 Attach the mounting bracket (①) to the wall securely.
  - Install the mounting bracket on a vertical flat wall (②).

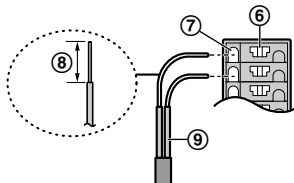


- ③ Screws (accessory)
- ④ Hole in wall ⑤ 60 mm ⑥ 83.5 mm
- ⑦ 7 mm ⑧ 50 mm

- 2 Connect the wires.
  - Connect the wires correctly according to "Wiring schematic diagram".



- **How to make wiring connections**  
While pressing on the button (⑥) with a pointed object such as a screwdriver, insert the wire into the terminal connector (⑦). (To disconnect a wire, while pressing on the button (⑥), pull out the wire.)



- ⑧ Bare wire at tip 9 mm
- ⑨ Wiring from doorphone or other device

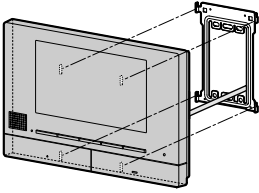
### Important:

Do not connect the power cable.

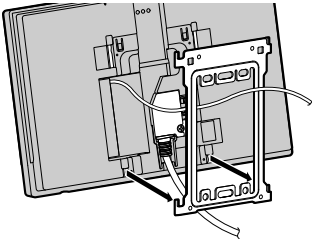
---

(Damage may occur.)

- 3** Mount the main monitor/extension monitor to the mounting bracket.



3-1 Line up the tab on the bottom of the bracket with the groove on the main monitor/extension monitor.



3-2 Line up the tab on the top of the bracket with the groove on the main monitor/extension monitor, and push the main monitor/extension monitor down until it is secure.

