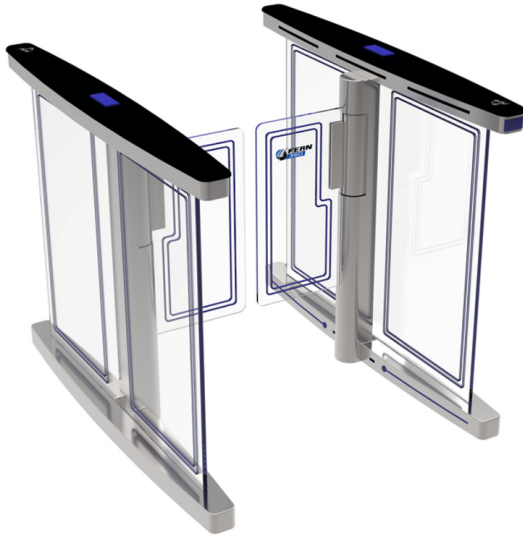


# STAINLESS STEEL SWING SPEED GATE



## FGES-SGSW600-1



### Key Features:

- **Dimensions (excluding gates):** 1400 x 150 x 980mm
- **Material:** 2.0mm, sus304 stainless steel
- **Top cover:** 12mm man-made marble
- **Side panels:** 10mm acrylic with LED strip
- **Working voltage:** 100-240V, 50-60Hz
- **Operational voltage:** 24V
- **Driver unit:** brushless Servo motor and clutch
- **Passage width:** 600mm
- **Operating speed:** 0.2s
- **Passing speed:** 35-40 people/minute
- **Communication interface:** RS485, dry contact
- **Card reader:** RFID/barcode
- **Working temperature:** -25°C to +70°C
- **Max power consumption:** 35W
- **Photocells:** 6 pairs

### System Overview

With a customer-centred approach, FERN360 aims to provide users with high-quality products. Our swing speed gate range is developed for high-end users, being intelligent, safe and efficient, high-quality, sturdy and durable. Combining industry experience and expertise over many years, a complete product solution is provided, and high-quality channel products quickly created.

Our swing speed gate products are designed to enhance security and optimise manpower at your entrance points. Straightforward to install, these systems will provide you with efficient and elegant control of individual access to your premises. Our portfolio can be applied to a wide range of applications, such as industrial enterprises, office buildings, shops, museums, security installations, prisons, airports, railways, seaports, exhibition centres, ski resorts, fitness, commercial, governmental and public space applications.

### Operating Modes

Two working modes: Normally closed (NC) and normally open (NO), allowing the option to deal with peak or normal use.

Multiple control modes: Nine control modes enable unidirectional, bidirectional, free passage and authorised passage to fully meet individual user's needs.

- Single passage in the set direction
- Bi-directional single passage
- Free passage in the set direction
- Always free or locked

### Materials

Housing: 2mm stainless steel AISI 304

Side panels: 10mm acrylic with LED strip

Top cover: 12mm man-made marble

### Features and Benefits

**Safety first:** In the event of fire or power outage, the gates can be released, ensuring unimpeded passage.

**Various interfaces:** I/O, RS232/485, and CAN interfaces easily control signal input, and provide a convenient, centralised fire-control interface.

**Precise positioning:** Photoelectric sensors ensure precise positioning of the gate, ensuring correct position even after extended periods of use.

**Various status information:** Provides operational status of each component including direction status, dominant status, and abnormal status.

**Indicator control:** Enabling convenient management for users, the front and back indicators are able to display three status (allow throughput, no throughput, system maintenance). Indicators also display passage direction and passage status (A to pass, B to pass, no throughput) which is convenient for users as well as management of the system.

**Machine core control:** The control system ensures coordination and synchronisation of the fundamental aspects of the equipment. The passage controller controls the machine core which in turn controls all of the functions, settings and parameters. Operation flow is the primary objective of the machine core, which is designed to be intelligent with superior consideration to safety and to allow smooth access control functionality.

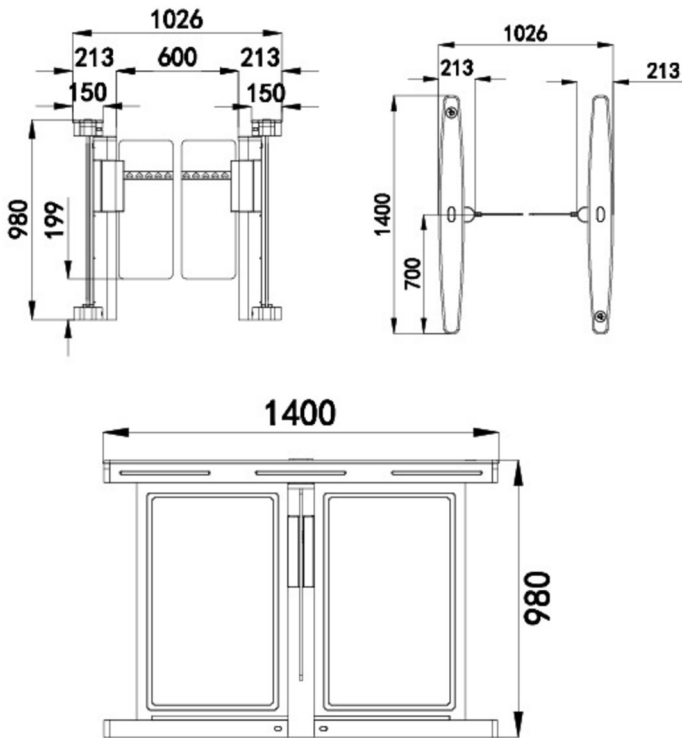
**Sensor Analysis:** The sensor signal enables real-time processing and analysis of a person or object performing a variety of actions. Analysis results accurately control the machine core action, indicator, and alarm.

**Sound output:** Whether it is a normal or emergency situation, the sound output (in conjunction with light effects), can direct users to cooperate in a timely and non-threatening manner.

**Convenient settings:** No longer totally dependent on the host computer or user-unfriendly keyboard operation, the operator-machine interface is enhanced by a built-in LCD screen and button setup, enabling users to quickly and easily query the system and set channel parameters. This greatly improves the user's experience as well as the installation process.

**Automatic test:** The system provides an automatic test function, which can test whether components are working properly or not.

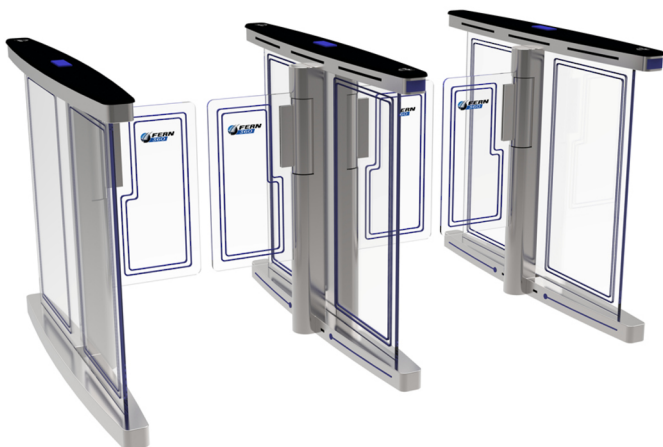
# Stainless Steel Swing Speed Gate | FGES-SGSW600-1



Technical Data		
Technical Data	Unit	FGES-SGSW600-1
Passage Width	mm	≤600
Throughput Rate	p/m	35
Power Supply	V/(ac)	100-240
Operational Voltage	V/(dc)	24
Max. Power Consumption	Watt	35
Frequency	Hz	50-60
Protection Level	IP	> 44
Working Temperature	°C	-25 to +70
Dimensions	mm	1400*1026*980
Dimensions - excluding gates	mm	1400*150*980

Ordering Information	
FGES-SGSW600-1R	Right
FGES-SGSW600-1M	Middle
FGES-SGSW600-1L	Left

## Product Images



© 2020 FERN360. All rights reserved. Design and specifications are subject to change without notice. Pictures in the document are for reference only, and the actual product shall prevail.

### FERN360 Limited

International Head Office: 8A Triton Drive, Albany, Auckland, New Zealand.  
 Phone: +64 508 337 6360 (+64 508 FERN360) Email: info@FERN360.com  
 Website: www.FERN360.com

