

STAINLESS STEEL FLAP BARRIER



FGES-FB550-4



Key Features:

- **Dimensions:** 1410 x 300 x 980mm
- **Material:** 1.2mm, sus304 stainless steel, hairline 400
- **Working voltage:** 100-240V, 50-60Hz
- **Operational voltage:** 24V
- **Driver unit:** brushed motor and German belt
- **Passing width:** 550mm
- **Operating speed:** 0.2s
- **Passing speed:** 35-40 people/minute
- **Communication interface:** RS485, dry contact
- **Card reader:** RFID/barcode/magnetic cards
- **Working temperature:** -25°C~70°C
- **Max power consumption:** 30W
- **Frequency:** 50-60Hz
- **Photocells:** 5 pairs

System Overview

FERN360's security barrier gates are space-efficient, being compact in design, yet offering sufficient space to integrate any access control system. They can be mounted with a display panel, passage counter, card reader, token-operated traffic lights, command console, and/or alarm system against unauthorised entries.

The barrier gate models may be interfaced with a PC through a RS232 (RS485, TCP-IP) line. The unique swing-arm feature provides a failsafe solution, enabling egress in cases of power failure or emergency evacuation. Durability combined with minimal maintenance, results in years, and millions, of trouble-free passages.

Our gates create a secure environment and are used in a wide range of different applications including stadiums and arenas, perimeter and interior security, recreation and amusement parks, retail crowd control, transit fare collection and lobby access control.

Operating Modes

- Single passage in the set direction
- Bi-directional single passage
- Free passage in the set direction
- Always free or locked

Materials

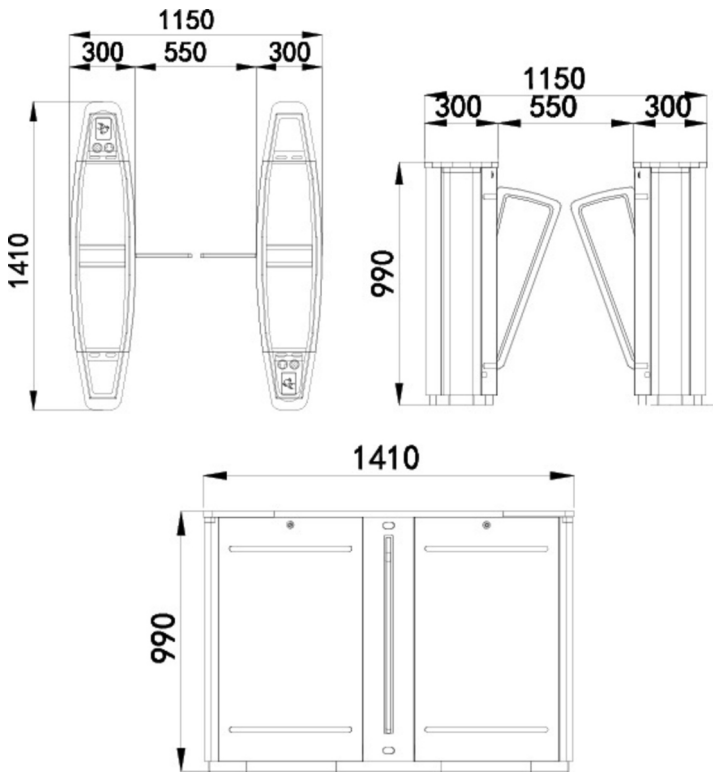
- Housing: stainless steel AISI 304
- Barrier gates: acrylic, PC, stainless steel frame

Features and Benefits

- Integrates with RFID card, barcode or magnetic card-reading technology, allowing interface with ID systems, access control and fee collection solutions
- Direction indicator displays current pedestrian access status, and guides pedestrians for correct and smooth passage
- Displays statistics and numbers
- Voice and strobe-light alerts
- A combination of infrared sensors and monitoring enables smooth pedestrian passage while ensuring prevention of unsolicited entry
- Double anti-clipping function: photocell anti-clipping and mechanical anti-clipping
- Auto reset function: if no passage is identified during card-reading time, the system will reset automatically. Pedestrians are then prohibited to pass until their second identified reading
- The barrier can be set to delay closing between 1-60s after a valid card-reading



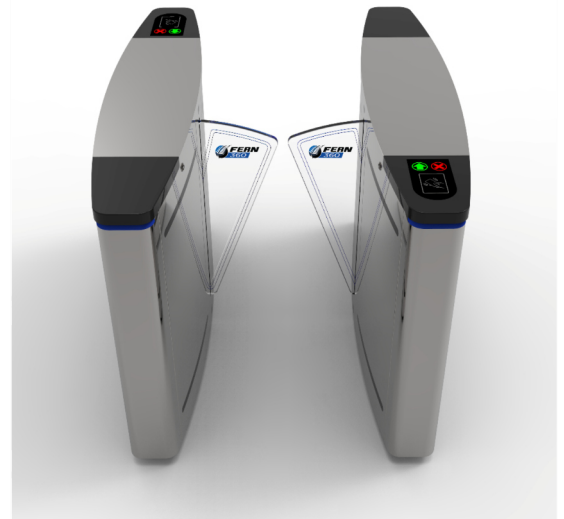
Stainless Steel Flap Barrier | FGES-FB550-4



Technical Data		
Technical Data	Unit	FGES-FB550-4
Passage Width	mm	≤ 550
Throughput Rate	p/m	35
Power Supply	V/(ac)	100-240
Operational Voltage	V/(dc)	24
Max. Power Consumption	Watt	35
Frequency	Hz	50-60
Protection Level	IP	> 44
Working Temperature	°C	-25 to +70
Dimensions - excluding gates	mm	1410*300*1005
Net Weight - including gates	kg	80

Ordering Information	
FGES-FB550-4R	Right
FGES-FB550-4M	Middle
FGES-FB550-4L	Left

Product Images



© 2020 FERN360. All rights reserved. Design and specifications are subject to change without notice. Pictures in the document are for reference only, and the actual product shall prevail.

FERN360 Limited

International Head Office: 8A Triton Drive, Albany, Auckland, New Zealand.
 Phone: +64 508 337 6360 (+64 508 FERN360) Email: info@FERN360.com
 Website: www.FERN360.com

