



ACCESS CONTROL PRODUCTS



ECP PILLARS BOLLARDS & RAINHOODS 2022 - 2023

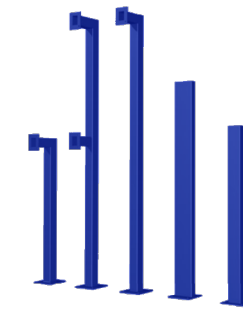
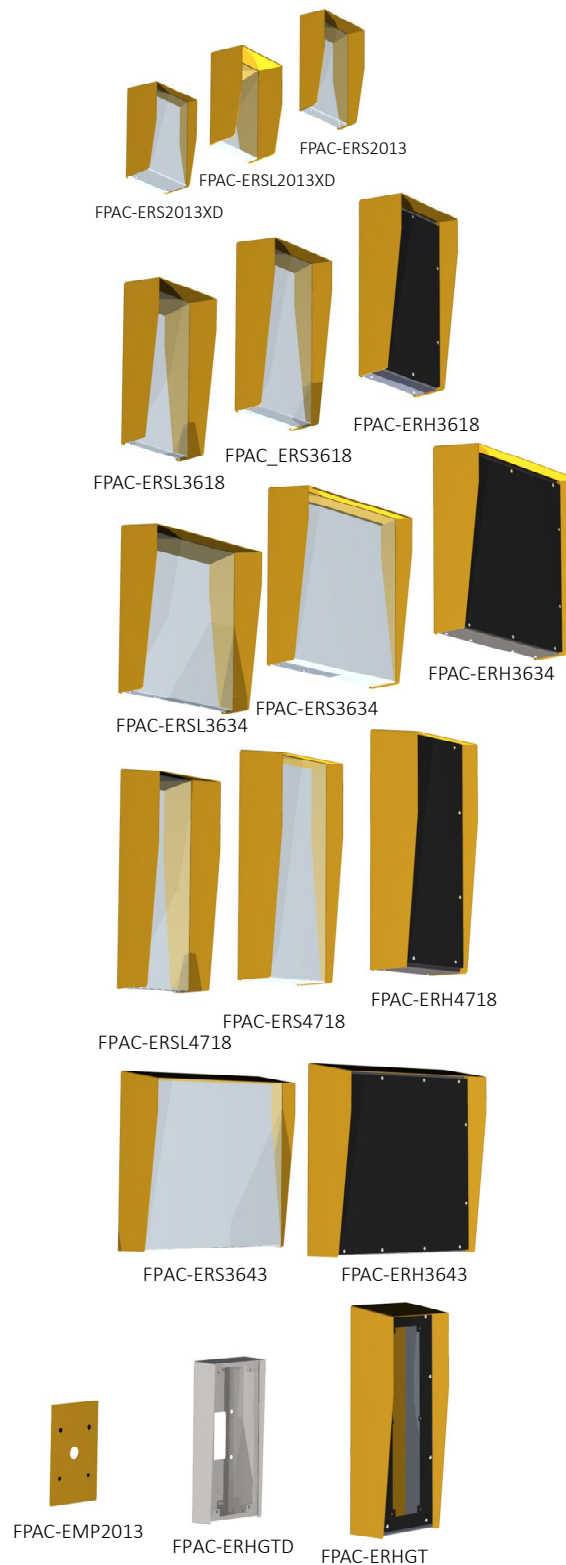
www.FERN360.com

Email: sales@FERN360.com

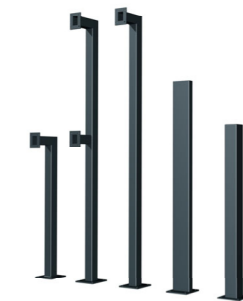
PART	DESCRIPTION	Made To Order
FPAC-Q1300	100 X 100 X 1270MM HIGH SQUARE BARRIER BOLLARD DURAGAL POST EPOXY ZINC POWDER COAT PRIMED AND POLYESTER POWDER TOP COAT	MTO
FPAC-R1600	150 X 50 X 1600MM HIGH RECTANGULAR BOLLARD DURAGAL POST EPOXY ZINC POWDER COAT PRIMED AND POLYESTER POWDER TOP COAT	MTO
FPAC-EQ1	75 X 75 X 1170 MM HIGH SINGLE READER / INTERCOM BOLLARD DURAGAL POST EPOXY ZINC POWDER COAT PRIMED AND POLYESTER POWDER TOP COAT	MTO
FPAC-EQ2	75 X 75 X 1170 & 2120 MM HIGH DUAL READER / INTERCOM BOLLARD DURAGAL POST EPOXY ZINC POWDER COAT PRIMED AND POLYESTER POWDER TOP COAT	MTO
FPAC-EQTR	75 X 75 X 2120 MM HIGH SINGLE READER SUIT TRUCK / INTERCOM BOLLARD DURAGAL POST EPOXY ZINC PRIMED AND POLYESTER POWDER TOP COAT	MTO
FPAC-EW300	300MM PROJECTION WALL MOUNT READER / INTERCOM ARM CABLE PATH THROUGH REAR AND UNDERSIDE OF ARM	MTO
FPAC-EW600	600MM PROJECTION WALL MOUNT READER / INTERCOM ARM CABLE PATH THROUGH REAR AND UNDERSIDE OF ARM	MTO
FPAC-ERS2013	200H X 130W RAIN SHIELD SUIT EQ, ER & EW SERIES ARMS AND BOLLARDS 25MM SPACE BEHIND ALUMINIUM MOUNTING PANEL.	MTO
FPAC-ERSL2013XD	200H X 130W RAIN SHIELD SUIT EQ, ER & EW SERIES ARMS AND BOLLARDS 25MM SPACE BEHIND ALUMIC MOUNTING PANEL. AND ADDITIONAL SHIELD PROJECTION	MTO
FPAC-ERS2013XD	200H X 130W RAIN SHIELD SUIT EQ, ER & EW SERIES ARMS AND BOLLARDS 68MM SPACE BEHIND ALUMINIUM MOUNTING PANEL.	MTO
FPAC-ERH3618	360H X 180W RAIN HOOD 8MM POLYETHYLENE BLACK BOARD MOUNTING PANEL 60MM SPACE BEHIND PANEL + 8MM POLYBOARD THICKNESS	MTO
FPAC-ERSL3618	360H X 180W RAIN HOOD ALUM MOUNTING PANEL 25MM SPACE BEHIND PANEL	MTO
FPAC-ERS3618	360H X 180W RAIN HOOD ALUM MOUNTING PANEL 60MM SPACE BEHIND PANEL	MTO
FPAC-ERH3634	360H X 340W RAIN HOOD 8MM POLYETHYLENE BLACK BOARD MOUNTING PANEL 60MM SPACE BEHIND PANEL + 8MM POLYBOARD THICKNESS	MTO
FPAC-ERSL3634	360H X 340W RAIN HOOD ALUM MOUNTING PANEL 25MM SPACE BEHIND PANEL	MTO
FPAC-ERS3634	360H X 340W RAIN HOOD ALUM MOUNTING PANEL 60MM SPACE BEHIND PANEL	MTO
FPAC-ERH4718	470H X 180W RAIN HOOD 8MM POLYETHYLENE BLACK BOARD MOUNTING PANEL 80MM SPACE BEHIND PANEL + 8MM POLYBOARD THICKNESS	MTO
FPAC-ERSL4718	470H X 180W RAIN HOOD ALUM MOUNTING PANEL 25MM SPACE BEHIND PANEL	MTO
FPAC-ERS4718	470H X 180W RAIN HOOD ALUM MOUNTING PANEL 80MM SPACE BEHIND PANEL	MTO
FPAC-ERH3643	360H X 430W RAIN HOOD 8MM POLYETHYLENE BLACK BOARD MOUNTING PANEL 60MM SPACE BEHIND PANEL + 8MM POLYBOARD THICKNESS	MTO
FPAC-ERS3643	360H X 430W RAIN HOOD ALUM MOUNTING PANEL 60MM SPACE BEHIND PANEL	MTO
FPAC-ERHGT	463H X 180W R/HOOD SUIT AIPHONE GT-DM & GT-4F SUPPLIED WITH 2 X BLACK POWDER COATED MOUNTING PLATES.	MTO
FPAC-ERHGDMSS	316 GRADE STAINLESS STEEL SURFACE MOUNT ENCLOSURE SUIT AIPHONE GT DMB N	MTO
FPAC-XSE150	MOUNT EXTENDER 150MM SUIT EQ, ER & EW SERIES ARMS AND BOLLARDS DURAGAL PIPE SECTION EPOXY ZINC POWDER COAT PRIMED AND TOP COATED	MTO
FPAC-XSE300	MOUNT EXTENDER 300MM SUIT EQ, ER & EW SERIES ARMS AND BOLLARDS DURAGAL PIPE SECTION EPOXY ZINC POWDER COAT PRIMED AND TOP COATED	MTO
FPAC-EMP2013	200H X 130W MOUNTING PLATE SUIT EQ, ER & EW SERIES ARMS AND BOLLARDS	MTO
NOTE	SPECIFY "-Y" FOR YELLOW or "-BK" FOR BLACK or "-BE" FOR BLUE POWDER COAT FINISH. EG: 'FPAC-EQ1-Y' FOR SINGLE YELLOW BOLLARD	

EQ & ER SERIES

INTERCOM AND READER BOLLARDS & RAINHOODS 2022 - 2023



FULL RANGE AVAILABLE IN BLUE



FULL RANGE AVAILABLE IN MATT BLACK



FPAC-EW600 WALL MOUNT ARM



FPAC-EW300 WALL MOUNT ARM

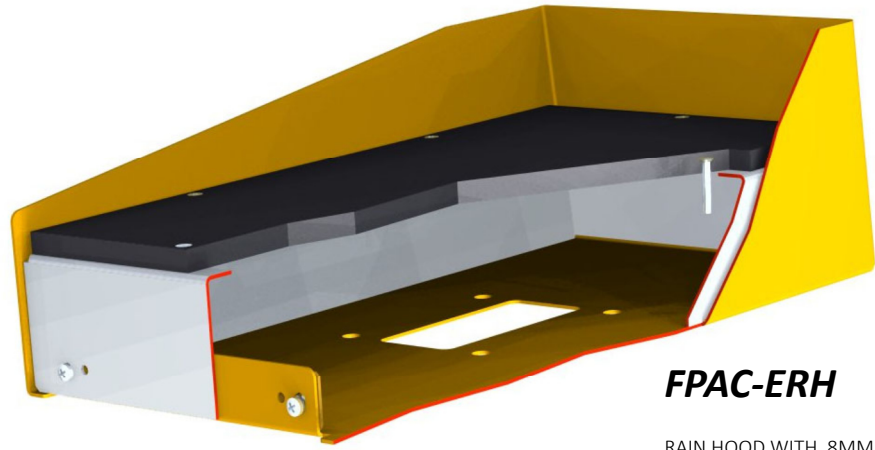


FPAC-XSE300 300MM EXTENSION



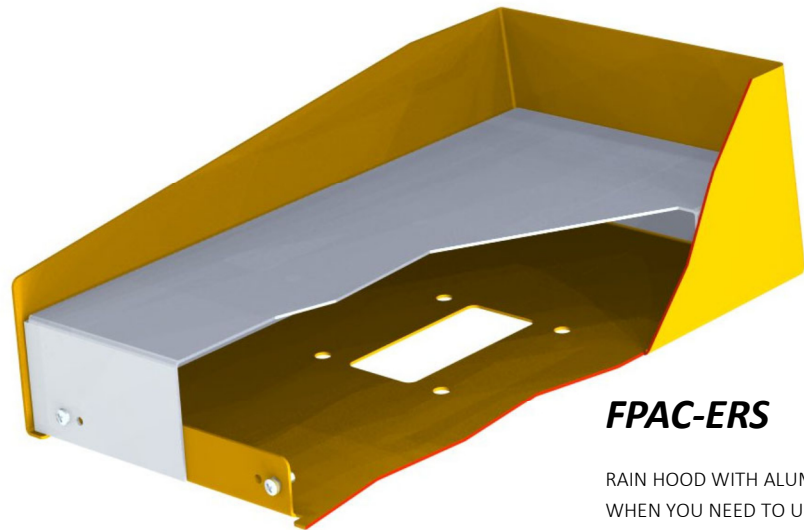
FPAC-XSE150 150MM EXTENSION





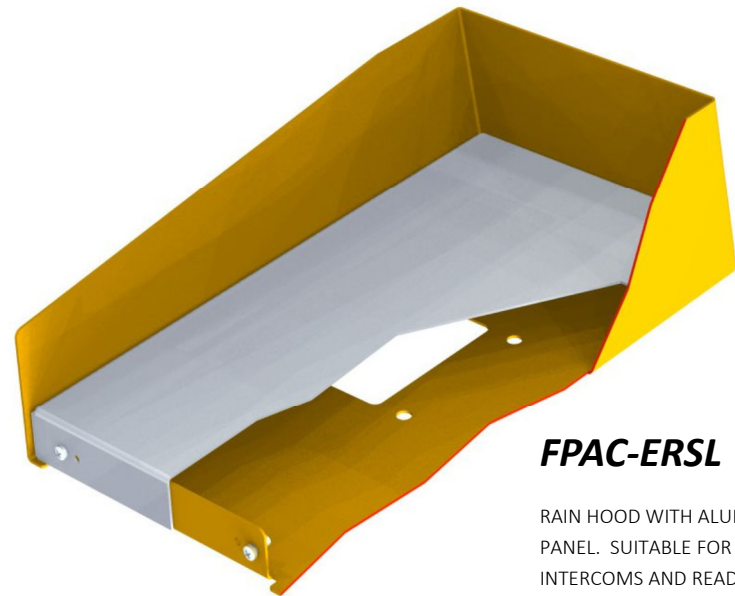
FPAC-ERH

RAIN HOOD WITH 8MM POLYETHYLENE MOUNTING PANEL. A NON CONDUCTIVE BACK PLANE EASILY CUT AND DRILLED.



FPAC-ERS

RAIN HOOD WITH ALUMINIUM MOUNTING PANEL. IDEAL WHEN YOU NEED TO USE THE FULL HEIGHT AND WIDTH OF THE PANEL AND NOT HAVE TO CONSIDER THE FRONT PANEL FASTENERS AND FRAME BEHIND.



FPAC-ERSL

RAIN HOOD WITH ALUMINIUM 25MM DEEP MOUNTING PANEL. SUITABLE FOR SURFACE MOUNT KEYPADS INTERCOMS AND READERS.



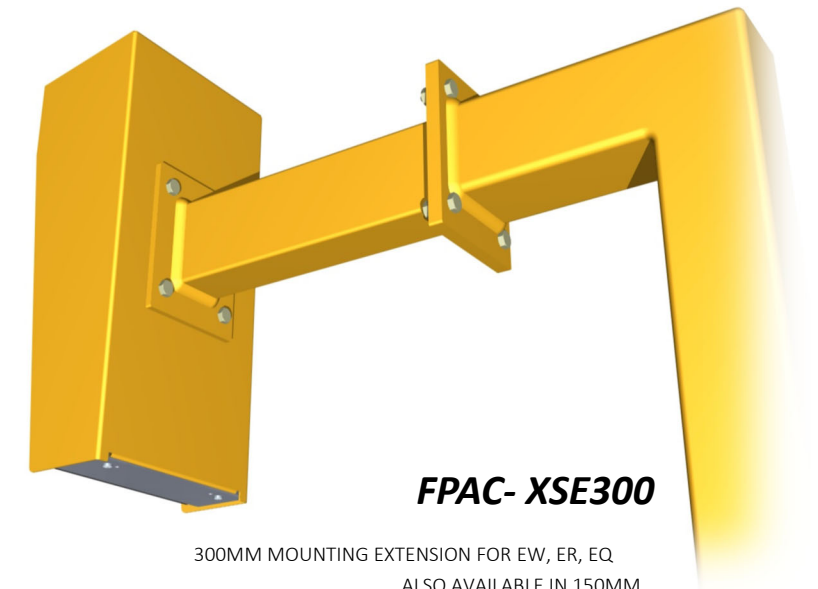
FPAC-ERSL4718-Y

ALL ERSL MODELS SUITABLE FOR SURFACE MOUNT KEYPADS INTERCOMS AND READERS. SHOWN WITH 1 X HIKVISION ACW3 & 1 X ACW1



FPAC-EW600

FPAC-ERH3618-Y & FPAC-EW600Y 600MM PROJECTION WALL MOUNT. ALSO AVAILABLE IN 300MM

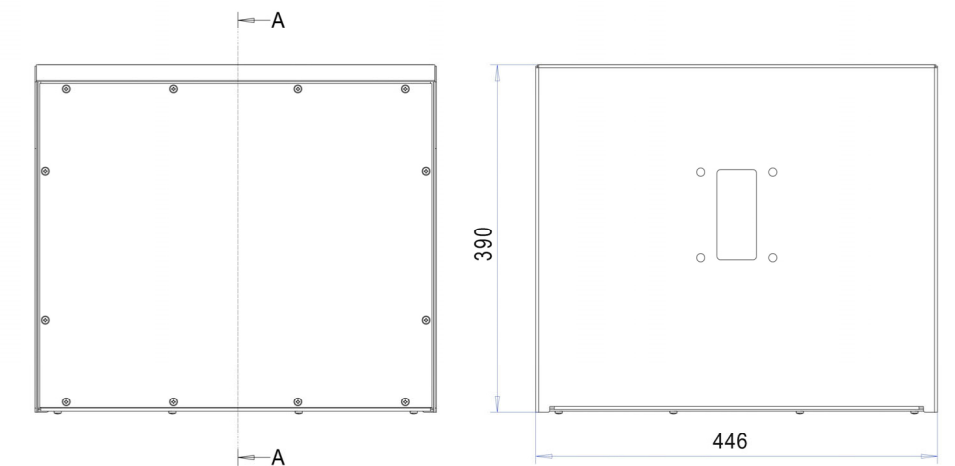
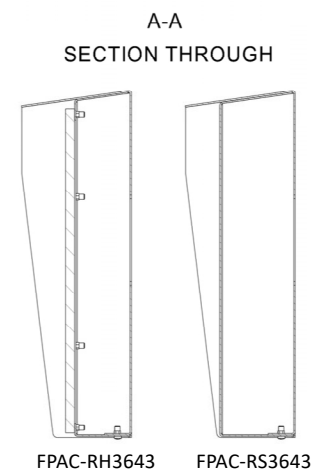
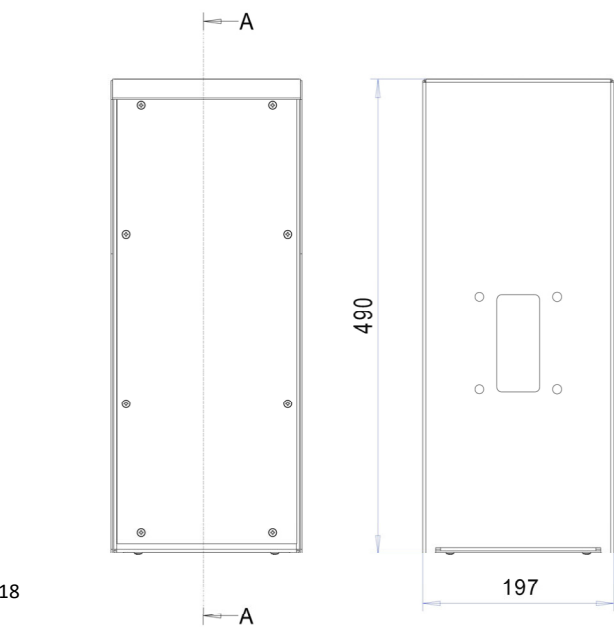
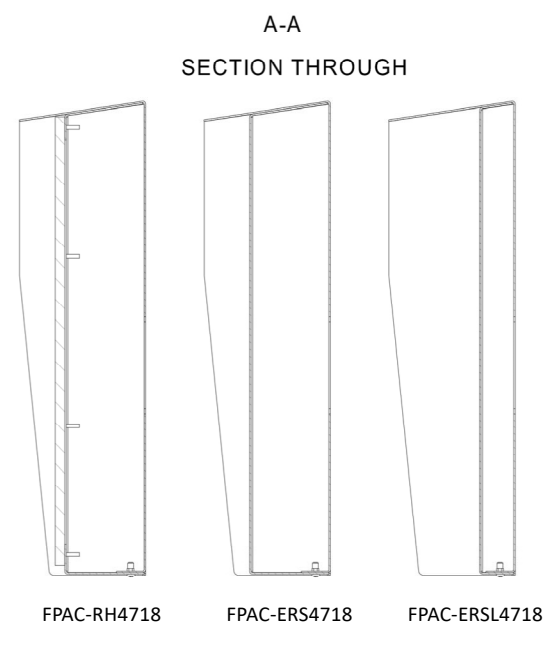
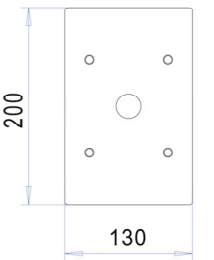
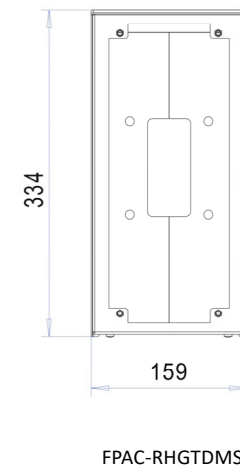
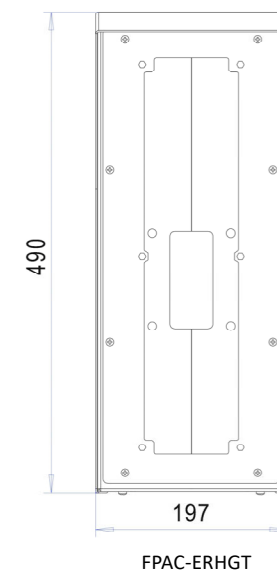
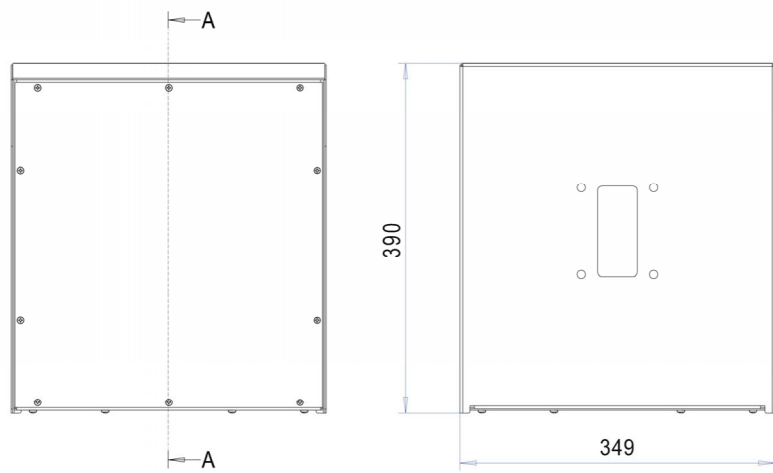
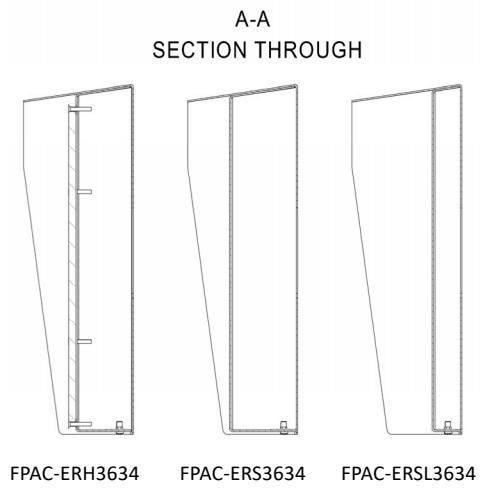
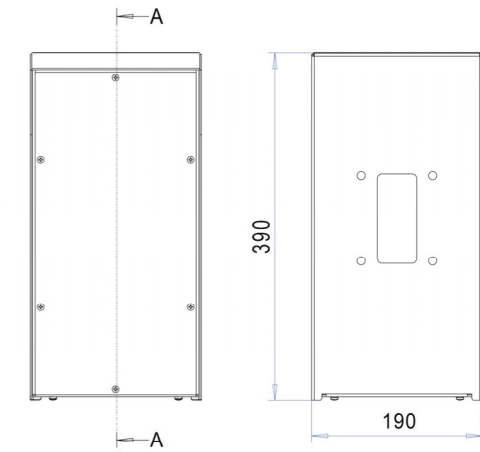
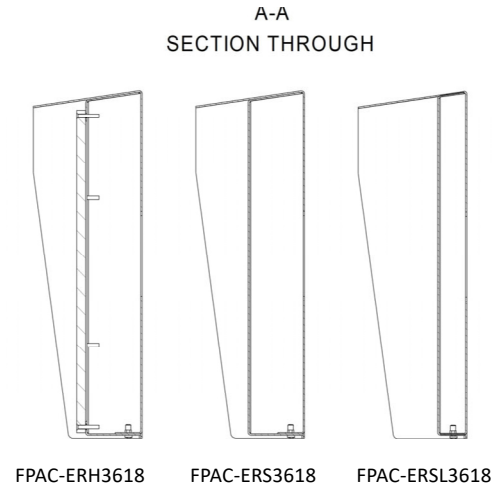
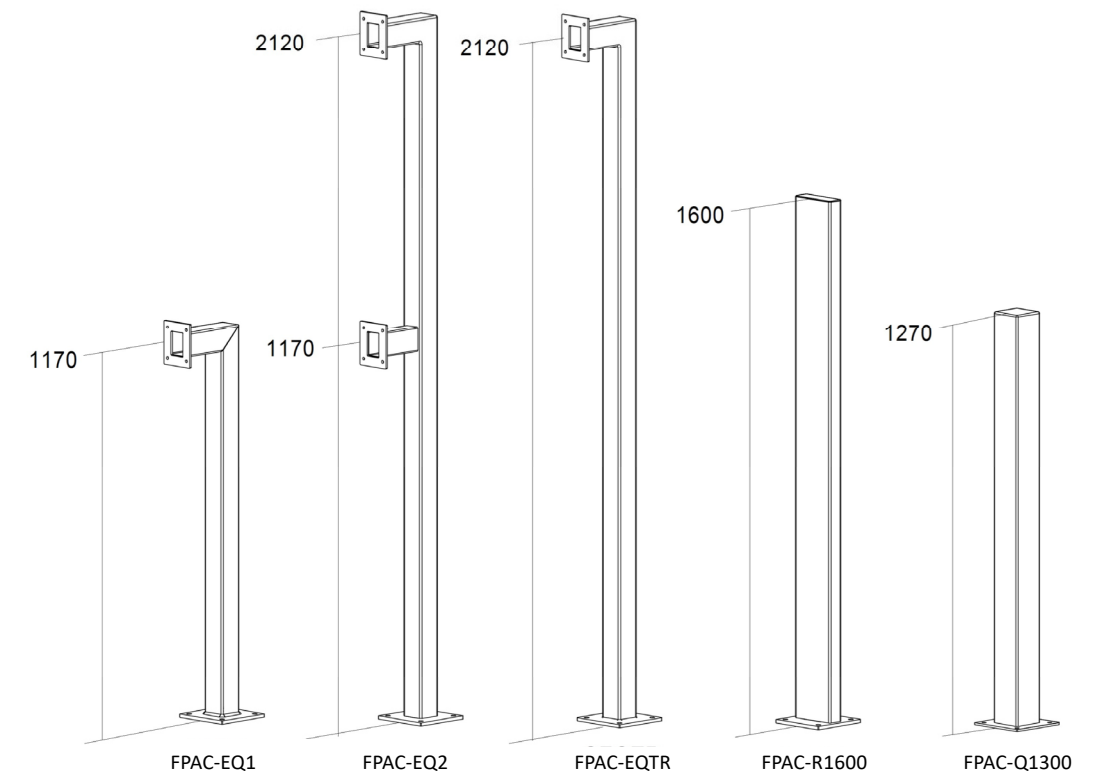
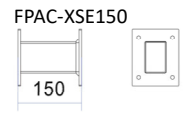
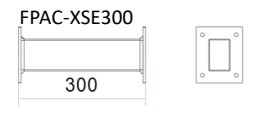
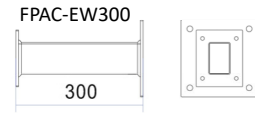
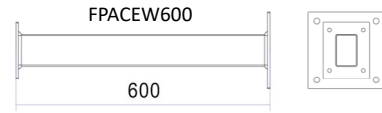
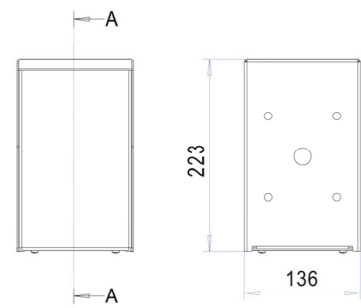
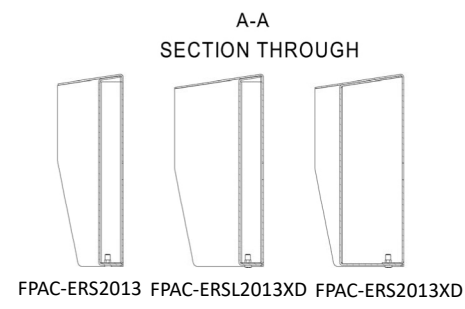


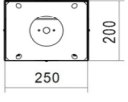
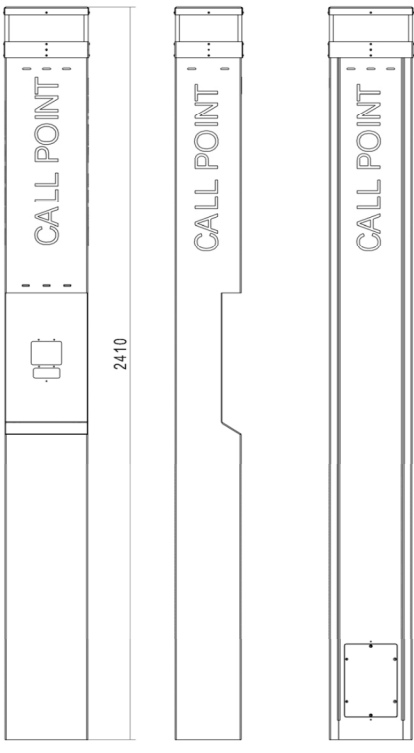
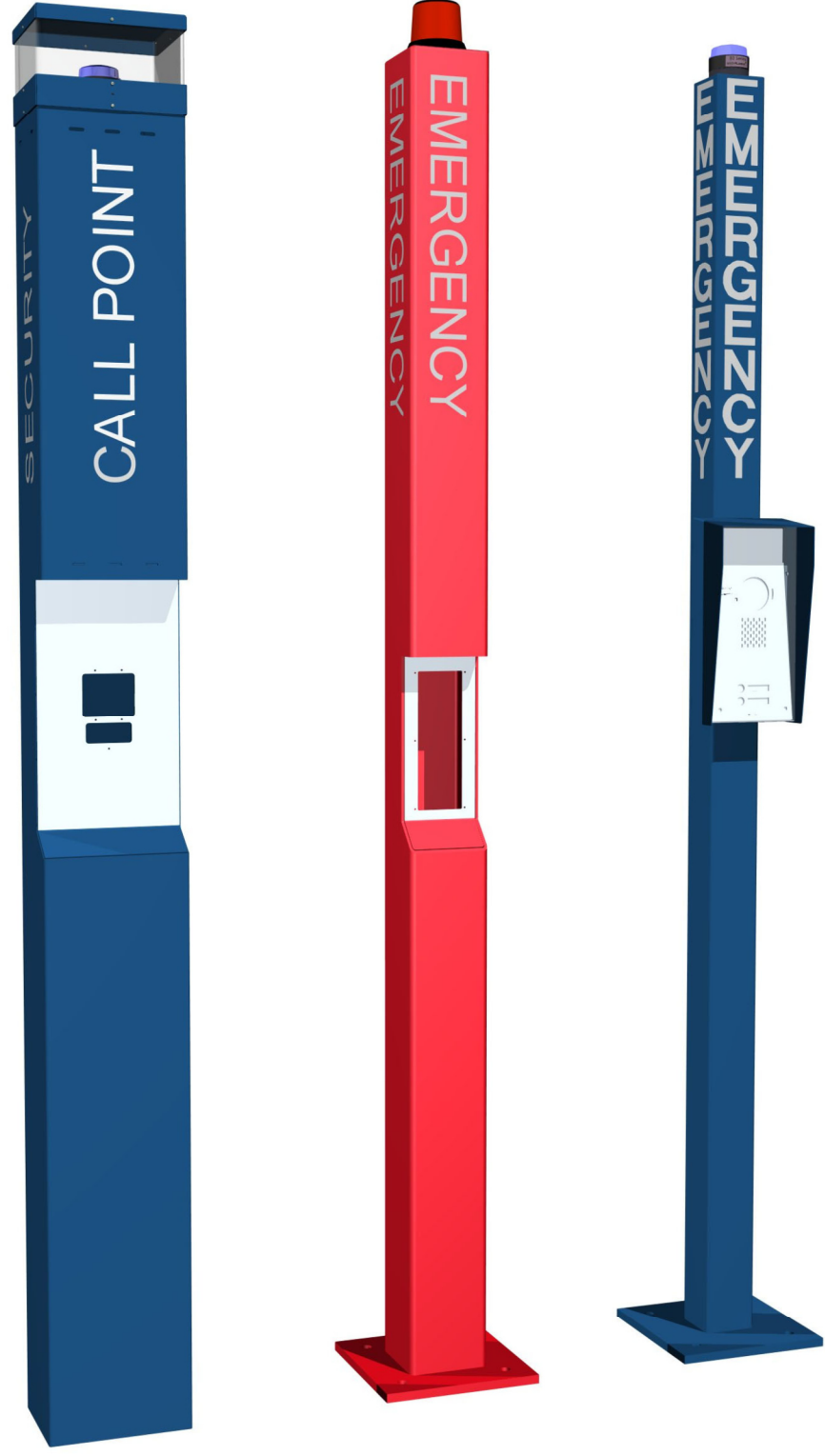
FPAC- XSE300

300MM MOUNTING EXTENSION FOR EW, ER, EQ ALSO AVAILABLE IN 150MM

EQ & ER SERIES

INTERCOM AND READER BOLLARDS & RAINHOODS 2022 - 2023





FPECS-R2520

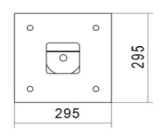
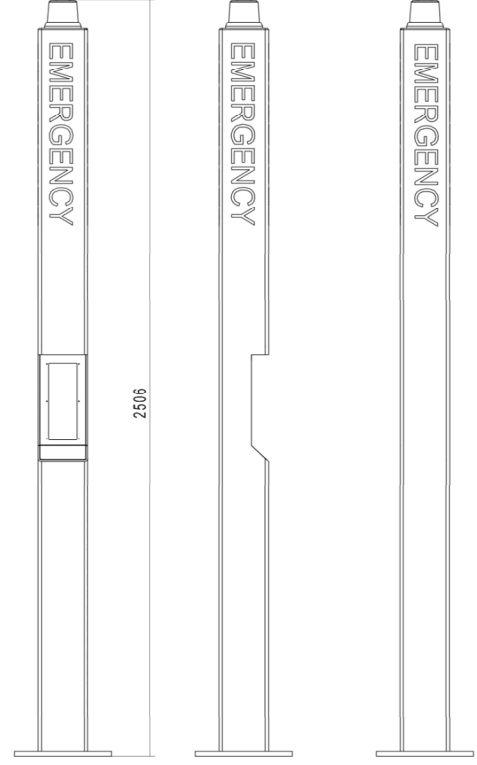
2410MM HIGH 250MM X 200MM
 INTERNALLY FIXED CALL POINT
 MANUFACTURED FROM 304 GRADE
 STAINLESS STEEL. POLYESTER POWDER
 COATED.

12-24V AC/DC STROBE LIGHTING
 SURROUNDED BY 6.0MM POLYCARBONATE
 LENS PLUS LED ILLUMINATION ABOVE
 INTERCOM/ KEYPAD

SUPPLIED STANDARD WITH CUSTOMISABLE
 STAINLESS STEEL MOUNTING PANEL

WHEN ORDERING SPECIFY:

1. POWDER COAT COLOUR
2. STROBE COLOUR & VOLTAGE
3. INTERCOM MODEL FOR
 CUSTOMSING MOUNT PLATE
4. TEXT REQUIRED FOR SIGNAGE



FPECS-1515

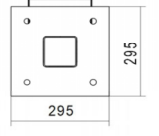
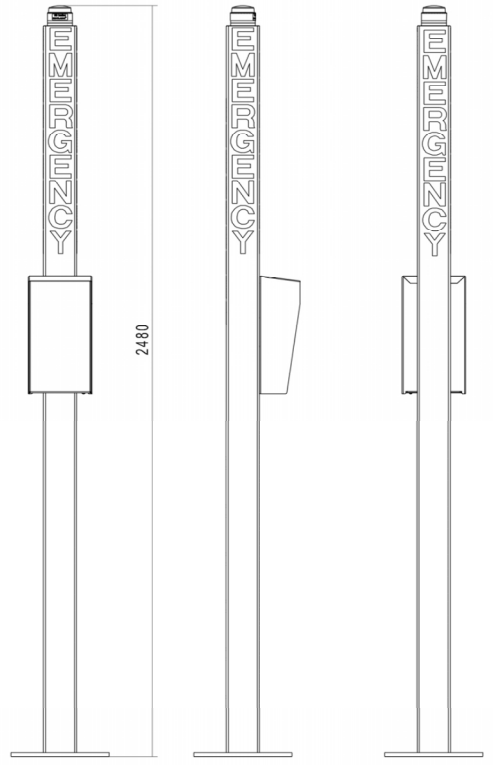
2506 MM HIGH 150 X 150 EXTERNALLY
 FIXED CALL POINT. MANUFACTURED FROM
 DURAGAL SHS ZINC POWDER COAT PRIMED
 AND TOP COATED.

12-24V AC/DC STROBE LIGHTING
 PLUS LED ILLUMINATION ABOVE
 INTERCOM/ KEYPAD

SUPPLIED STANDARD WITH CUSTOMISABLE
 STAINLESS STEEL MOUNTING PANEL

WHEN ORDERING SPECIFY:

1. POWDER COAT COLOUR
2. STROBE COLOUR & VOLTAGE
3. INTERCOM MODEL FOR
 CUSTOMSING MOUNT PLATE
4. TEXT REQUIRED FOR SIGNAGE



FPECS-1010

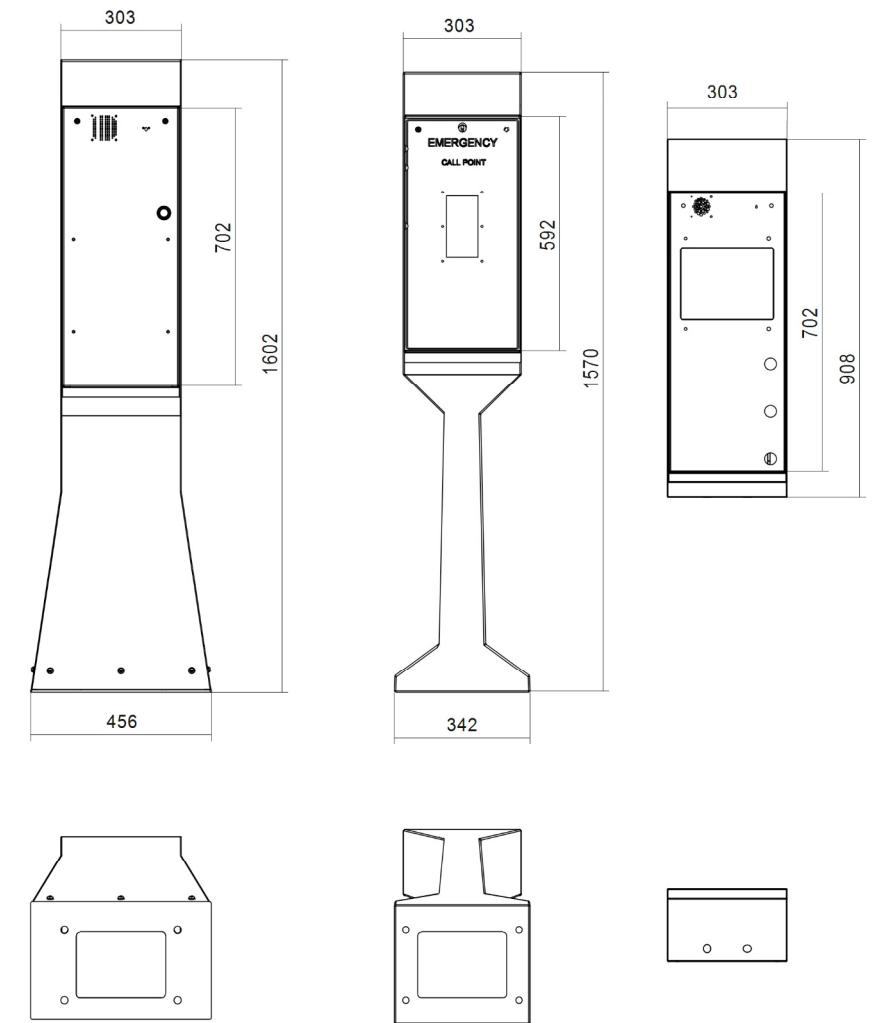
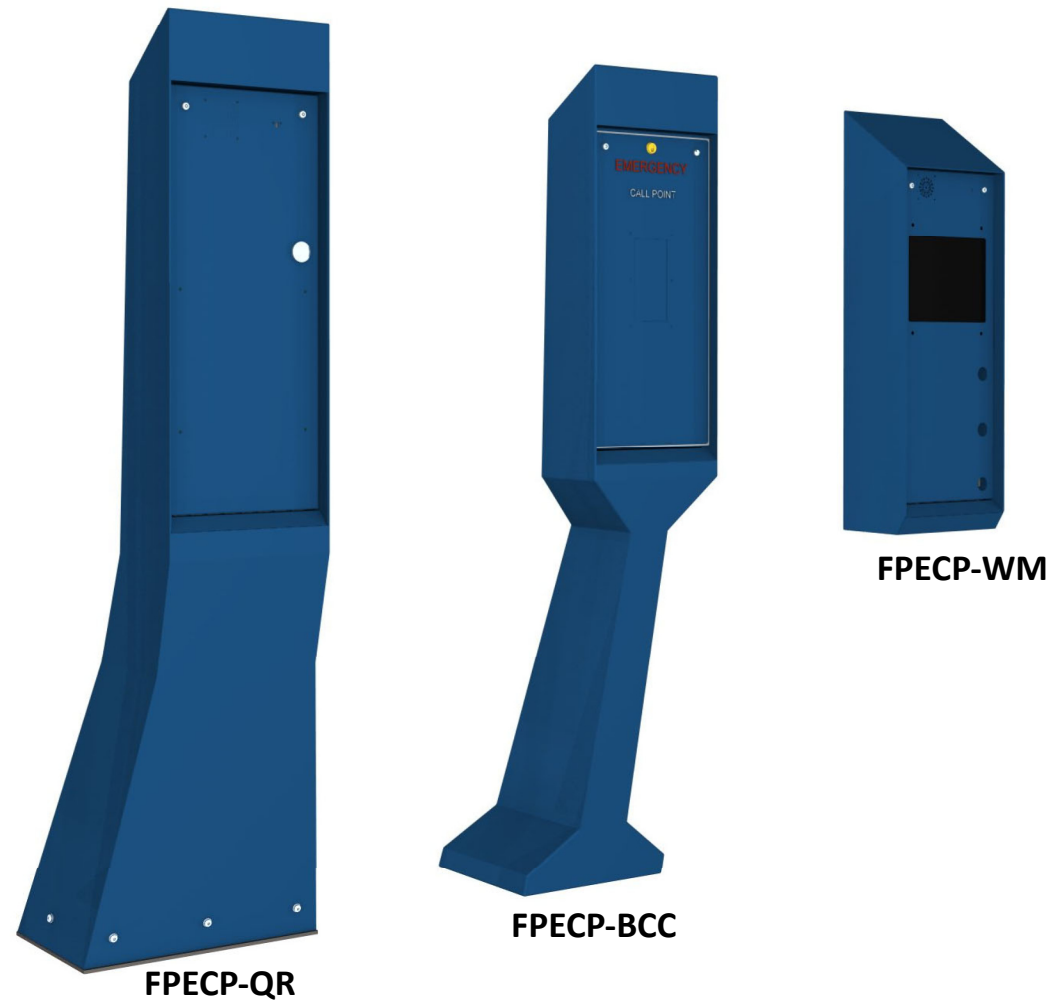
2480 MM HIGH 100 X 100 EXTERNALLY
 FIXED CALL POINT. MANUFACTURED FROM
 DURAGAL SHS ZINC POWDER COAT PRIMED
 AND TOP COATED.

DESIGNED TO MOUNT SECURITY DESIGN
 FPAC-ERH/ERS & ERSL RAIN HOODS.

12-24V AC/DC STROBE LIGHTING
 SUPPLIED STANDARD WITH CUSTOMISABLE
 MOUNTING PANEL

WHEN ORDERING SPECIFY:

1. POWDER COAT COLOUR
2. STROBE COLOUR & VOLTAGE
3. RAIN HOOD MODEL AND INTERCOM
 DETAILS FOR CUSTOMSING MOUNT
 PLATE
4. TEXT REQUIRED FOR SIGNAGE



FPECP PEDESTAL AND WALL MOUNT

MANUFACTURED FROM 304 GRADE STAINLESS STEEL WITH POLYESTER POWDER COAT FINISH.

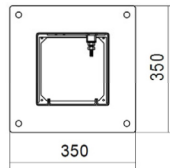
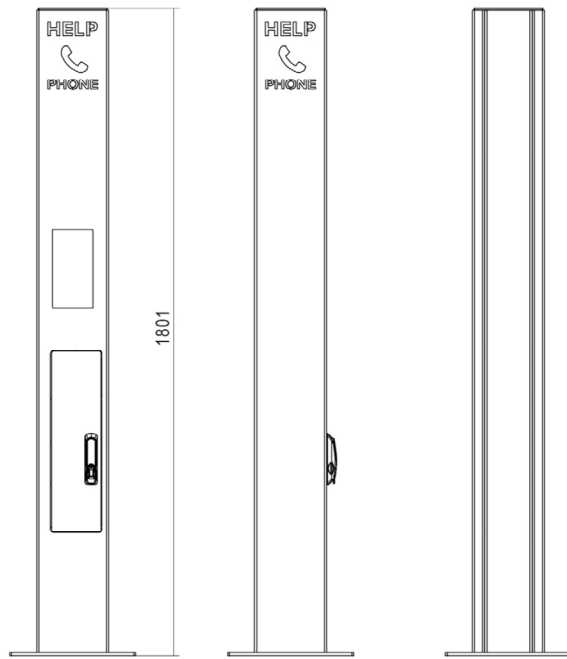
HINGE DOWN FRONT PANEL IS RECESS MOUNTED LEAVING NO PRY BAR GAPS FOR VANDALS

STANDARD INCLUSIONS ARE CONCEALED HINGES, AND DUAL GAS STRUTS.

OPTIONS

1. ANTI GRAFFITI FINISH
2. CUSTOMISED INTERNAL GEAR TRAYS
3. MASTER KEY LOCKING.
4. VINYL GRAPHICS AS REQUIRED
5. 30MM DIAMETER ILLUMINATED STAINLESS PUSH BUTTONS FITTED WITH BRAILLE PINS





FPECSP-2020

1801 MM HIGH 200MM X 200MM
EXTERNALLY FIXED CALL POINT
MANUFACTURED FROM 304 GRADE
STAINLESS STEEL. POLYESTER POWDER
COATED.

HELP PHONE GRAPHICS AT THE TOP ARE ON
3 SIDES AND ARE FITTED WITH FLUSH
MOUNTED 6.0MM OPAL POLYCARBONATE
LENS BACKLIT LED

SUPPLIED STANDARD WITH CUSTOMISABLE
STAINLESS STEEL MOUNTING PANEL

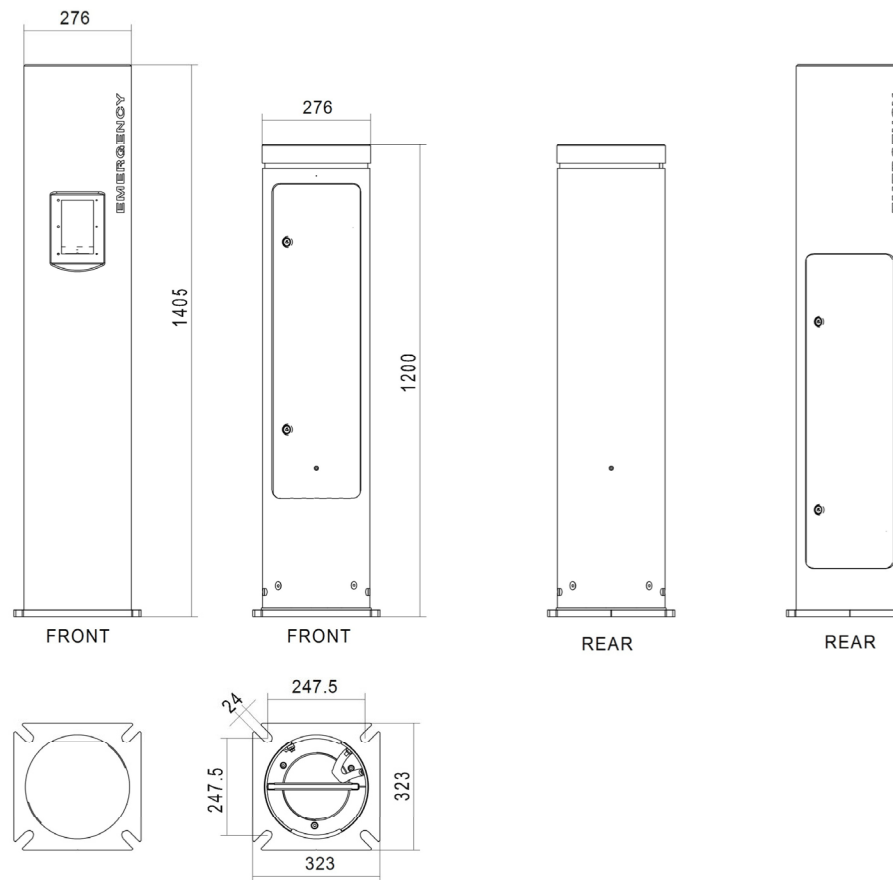
WHEN ORDERING SPECIFY:

1. POWDER COAT COLOUR
2. INTERCOM MODEL FOR
CUSTOMISING MOUNT PLATE
3. OPTION OF MASTER KEY LOCKABLE
AND HINGED ACCESS DOOR OR
ACCESS PANEL WITH COUNTERSUNK
SECURITY FASTENERS



FPECSP-2020

FLUSH MOUNTED OPAL POLYCARBONATE
BACKLIT BY LED



FPECP-B1400 FPRPE-B1200

FPECP-B1400 & FPRPE-B1200

FPECP-B1400 ECP INTERCOM PILLAR WITH BACK-
LIT OPAL POLYCARBONATE EMERGENCY
SIGNAGE

FPRPE-B1200 LV & MAINS VOLTAGE
DISTRIBUTION PILLAR. ROTATING OUTER
CASE WITH SINGLE DOOR TO ACCESS LV
TRANSFORMERS AND 1&3 PHASE OUTLETS

MANUFACTURED FROM 316 GRADE
STAINLESS STEEL FINISHED WITH
FLUROPOLYMER POWDER COAT



FPRPE-B1200



FPECP-B1400



FPRPE-B1200



FPRPE-B1200