

SKI INSTALLATION INSTRUCTIONS

SKI-DOO 2016+ MXZ, RENEGADE, GRAND TOURING,
EXPEDITION WITHOUT T.S. ADJUSTABLE SKIS
MOUNTING KIT #76000378

1. Remove old ski.
2. Discard unneeded hardware.
3. Install carbide on ski using the manufacturers guidelines & hardware.
4. Place the two spools (top hat shaped) into the inner saddle of the ski and push outward until flush in the saddles, they will fit very tightly. (see Figure 1)
5. Place the rubber dampener in the ski. (see Figure 2 for dampener orientation)
6. Recommend greasing spindle bolt.
7. Using remaining hardware, secure ski to snowmobile. (see diagram)
8. Repeat steps 1-7 for other ski.

ITEM #	PART #	DESCRIPTION	QTY
1	77000273	DAMPENER - 273	2
2	76000219	WASHER, 1.5" X .406" X .187"	4
3	76000246	BUSHING 10MM	4
4	76000190	METRIC BOLT, 10-1.5 X 130MM HEX	2
5	76000193	METRIC NUT, M10-1.5 NYLOC	2
6	00251	WASHER, 7/16" FLAT SAE	4

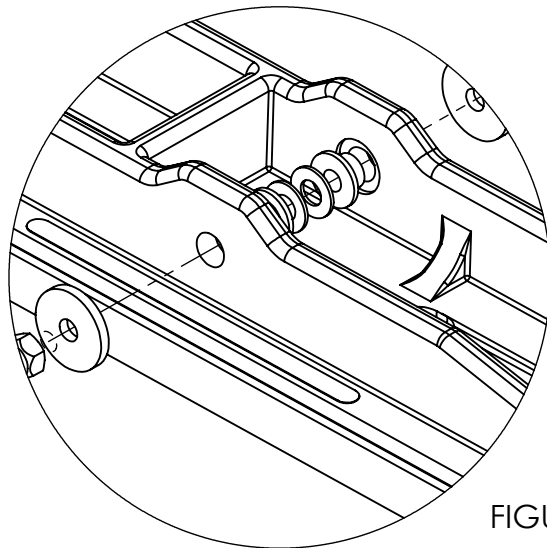


FIGURE 1

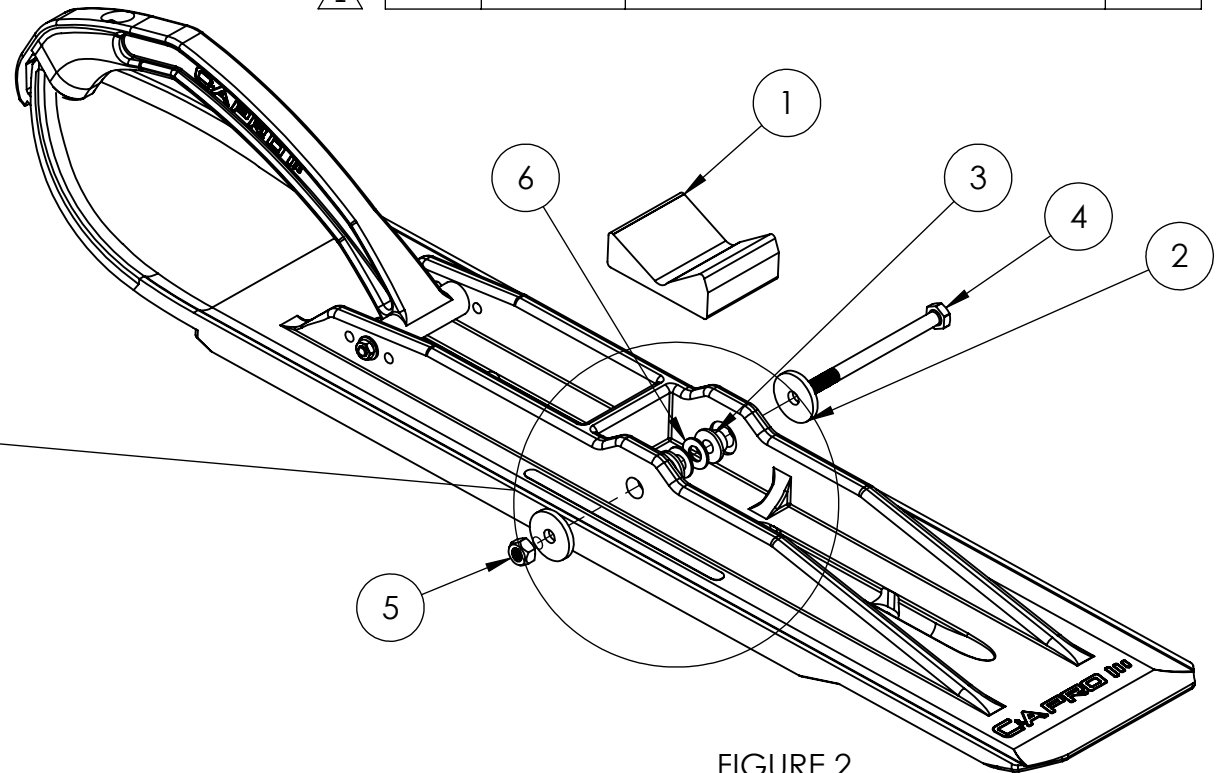


FIGURE 2

NOTE:
BY DESIGN, THE SKIS ARE MORE AGGRESSIVE THAN
FACTORY STANDARD SKIS. IF FOR TRAIL RIDING YOU
FIND THAT THE SKIS ARE TURNING TO HARD,
YOU MAY WANT TO LIGHTEN SKI PRESSURE FOR EASIER TURNING.
FOR ASSISTANCE ON LIGHTENING SKI PRESSURE, CONSULT YOUR
SNOWMOBILE OWNERS MANUAL OR YOUR SNOWMOBILE DEALER.

NOTES:

- 7/16" Washer not utilized on select machines.

SKI INSTALLATION INSTRUCTIONS ALIGNMENT

Once the skis are installed, check the distance between the skis. To eliminate darting, we recommend the distance between the front toes of the skis to be 3/8" wider than the back of the skis. To do this, measure the two distances shown and make sure Distance #2 is 3/8" wider than Distance #1. The skis should also be parallel with the snowmobile track (within 3/8", check by taking a straight edge and align it with the track). If the skis are parallel to the track, then they will also be aligned with the straight edge.

