

## SKI INSTALLATION INSTRUCTIONS

ARCTIC CAT 2018 & NEWER ZR200 & ZR120  
MOUNTING KIT #76000375

1. Remove Old ski by taking out the OEM Spindle Bolt, Nut and Washers.
2. Set the OEM Ski, Rubber Dampener and hardware aside, as this won't be reused.
3. Install carbide on ski using the manufacturers guidelines & hardware.
4. Insert the rubber dampener into position inside the ski saddle.  
The tall side of the rubber dampener goes towards the back of the ski. (see Figure 2)
5. Place two bushings into the inner saddle of the ski and push outward into the saddles, they will fit very tightly. (see Figure 1)
6. We recommend greasing spindle bolt to prevent corrosion.
7. Use provided 10mm Bolt, Nut and 2 Washers to affix the ski to the spindle. (Figure 2)
8. Repeat steps 1-7 for other ski.

1

### SKI-DOO 2022 & NEWER MXZ200 & MXZ120 MOUNTING KIT #76000393

ITEM #	PART #	DESCRIPTION	QTY
1	77000287	DAMPENER - 287	2
2	76000246	BUSHING 10MM	4
3	76000219	WASHER, 1.5" X .406" X .187"	4
4	76000190	METRIC BOLT, 10-1.5 X 130MM HEX	2
5	76000193	METRIC NUT, M10-1.5 NYLOC	2
6	00251	WASHER, 7/16" FLAT SAE	4

#### NOTES:

7/16" Washer not utilized on select machines.

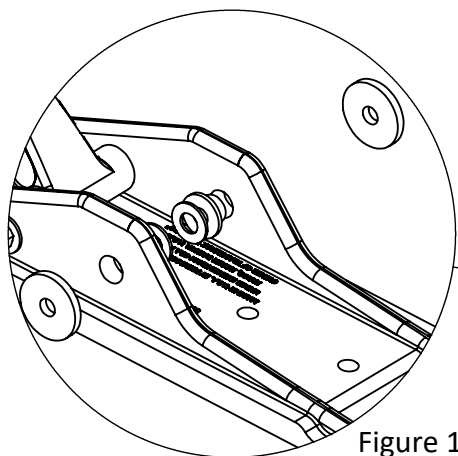


Figure 1

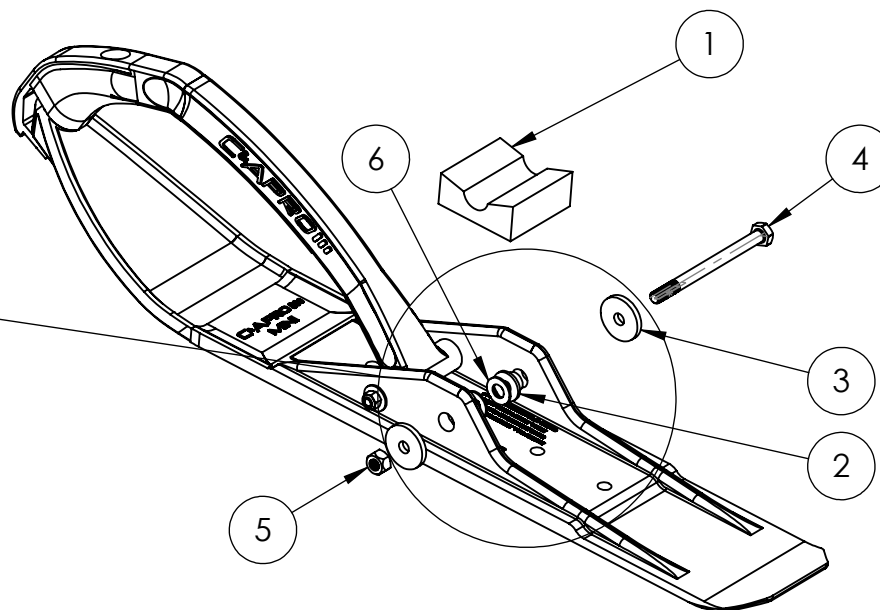


Figure 2

## SKI INSTALLATION INSTRUCTIONS ALIGNMENT

Once the skis are installed, check the distance between the skis. To eliminate darting, we recommend the distance between the front toes of the skis to be 3/8" wider than the back of the skis. To do this, measure the two distances shown and make sure Distance #2 is 3/8" wider than Distance #1. The skis should also be parallel with the snowmobile track (within 3/8", check by taking a straight edge and align it with the track). If the skis are parallel to the track, then they will also be aligned with the straight edge.

