

SKI INSTALLATION INSTRUCTIONS

YAMAHA
NYTRO 2008 & NEWER
PHAZER 2007 & NEWER
MOUNTING KIT #76000282

1. Remove old ski.
2. Discard unneeded hardware.
3. Install carbide on ski using the manufacturers guidelines & hardware.
4. Place the two spools (top hat shaped) into the inner saddle of the ski and push outward until flush in the saddles, they will fit very tightly. (see Figure 1)
5. Place the rubber dampener in the ski. (see Figure 2 for spacer orientation)
6. Recommend greasing spindle bolt.
7. Using remaining hardware, secure ski to snowmobile. (see diagram)
8. Repeat steps 1-7 for other ski.

ITEM#	PART#	DESCRIPTION	QTY
1	76000190	METRIC BOLT, 10-1.5 X 130MM HEX	2
2	76000219	WASHER, 1.5" X .406" X .187"	4
3	76000246	BUSHING 10MM	4
4	76000193	METRIC NUT, M10-1.5 NYLOC	2
5	77000269	DAMPENER - 269	2

NOTE: For Nytro model "MTX", the stock axle collar will have to be cut down to 2.95"

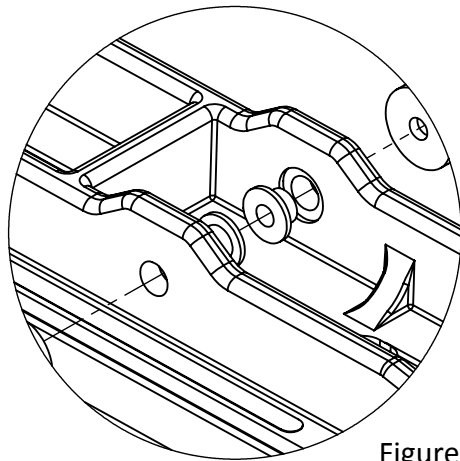


Figure 1

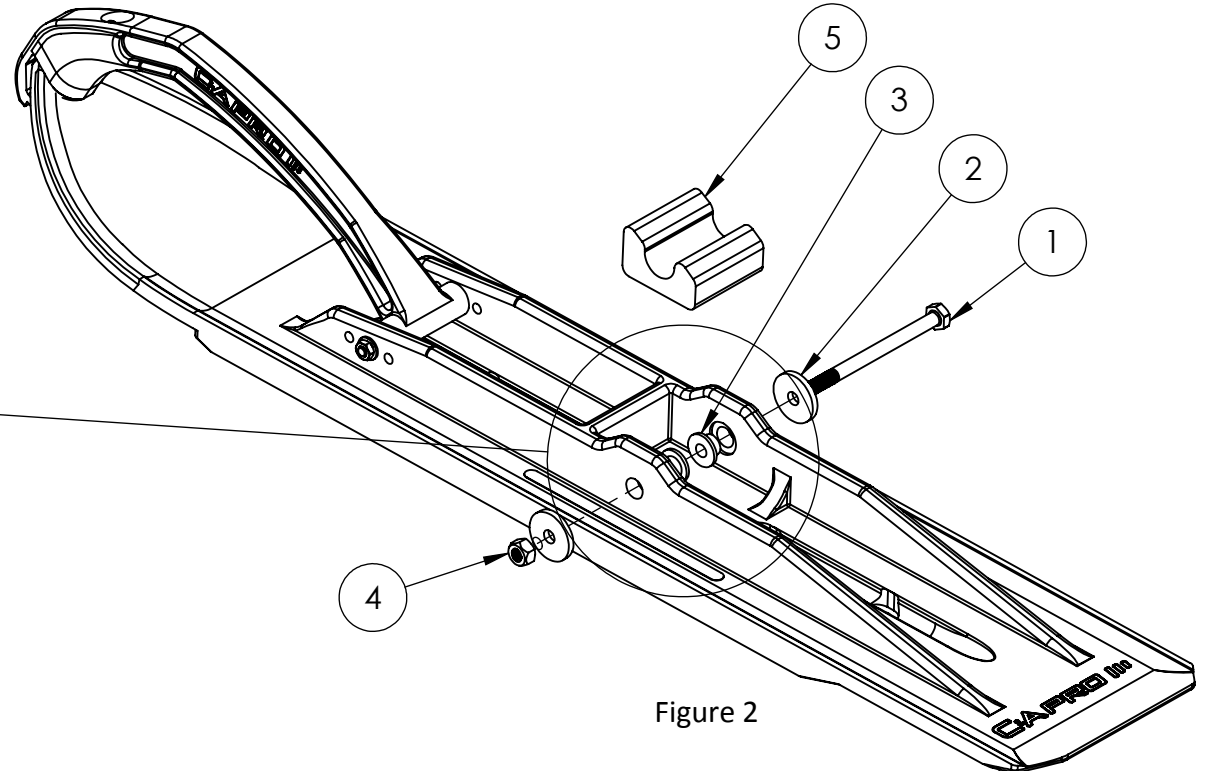


Figure 2

NOTE:
BY DESIGN, THE SKIS ARE MORE AGGRESSIVE THAN FACTORY STANDARD SKIS. IF FOR TRAIL RIDING YOU FIND THAT THE SKIS ARE TURNING TO HARD, YOU MAY WANT TO LIGHTEN SKI PRESSURE FOR EASIER TURNING. FOR ASSISTANCE ON LIGHTENING SKI PRESSURE, CONSULT YOUR SNOWMOBILE OWNERS MANUAL OR YOUR SNOWMOBILE DEALER.