

## SKI INSTALLATION INSTRUCTIONS

POLARIS ALL TRAILING ARM MODELS  
MOUNTING KIT #76000184

1. Remove old ski.
2. Discard unneeded hardware.
3. Install carbide on ski using the manufacturers guidelines & hardware.
4. Place the two spools (top hat shaped) into the inner saddle of the ski and push outward until flush in the saddles, they will fit very tightly. (see Figure 1)
5. Place the rubber dampener in the ski. (see Figure 2 for dampener orientation)
6. Recommend greasing spindle bolt.
7. Using remaining hardware, secure ski to snowmobile. (see diagram)
8. Repeat steps 1-7 for other ski.

| ITEM# | PART#    | DESCRIPTION                  | QTY |
|-------|----------|------------------------------|-----|
| 1     | 76000185 | BOLT, 3/8"-16 X 5" HEX       | 2   |
| 2     | 76000219 | WASHER, 1.5" X .406" X .187" | 4   |
| 3     | 76000245 | BUSHING 3/8"                 | 4   |
| 4     | 76000188 | NUT, 3/8"-16 TOP LOCK        | 2   |
| 5     | 77000217 | DAMPENER - 217               | 2   |

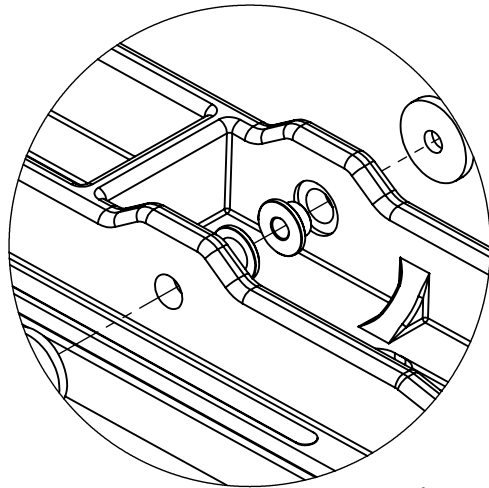


Figure 1

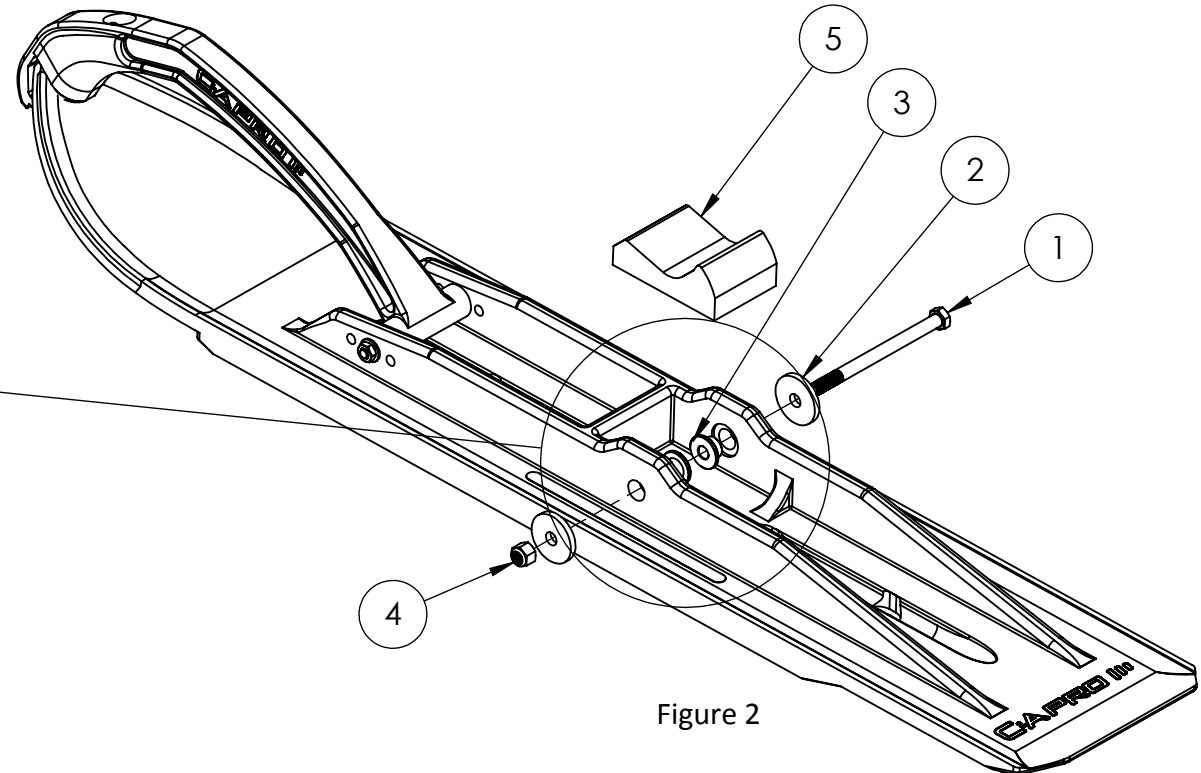


Figure 2

**NOTE:**  
BY DESIGN, THE SKIS ARE MORE AGGRESSIVE THAN  
FACTORY STANDARD SKIS. IF FOR TRAIL RIDING YOU  
FIND THAT THE SKIS ARE TURNING TO HARD,  
YOU MAY WANT TO LIGHTEN SKI PRESSURE FOR EASIER TURNING.  
FOR ASSISTANCE ON LIGHTENING SKI PRESSURE, CONSULT YOUR  
SNOWMOBILE OWNERS MANUAL OR YOUR SNOWMOBILE DEALER.