



120 Eastgate Drive SE
Hutchinson, MN 55350

1-888-321-6789
www.caproskis.com

SKI INSTALLATION INSTRUCTIONS

ARCTIC CAT
ALL 2009 & OLDER
(WILL NOT FIT 1990-1993 ALUM TORQUE SPINDLES)
MOUNTING KIT #76000179

1. Remove old ski.
2. Discard unneeded hardware.
3. Install carbide on ski using the manufacturers guidelines & hardware.
4. Place the two spools (top hat shaped) into the inner saddle of the ski and push outward until flush in the saddles, they will fit very tightly. (see Figure 1)
5. Place the rubber dampener in the ski. (see Figure 2 for dampener orientation)
6. Recommend greasing spindle bolt.
7. Using remaining hardware, secure ski to snowmobile. (see diagram)
8. Repeat steps 1-7 for other ski.

ITEM#	PART#	DESCRIPTION	QTY
1	76000180	BOLT, 7/16"-14 X 5" HEX	2
2	76000220	WASHER, 1.5" X .479" X .187"	4
3	76000265	BUSHING 7/16" ID	4
4	76000268	NUT, 7/16"-14 LOCK	2
5	77000221	DAMPENER - 221	2

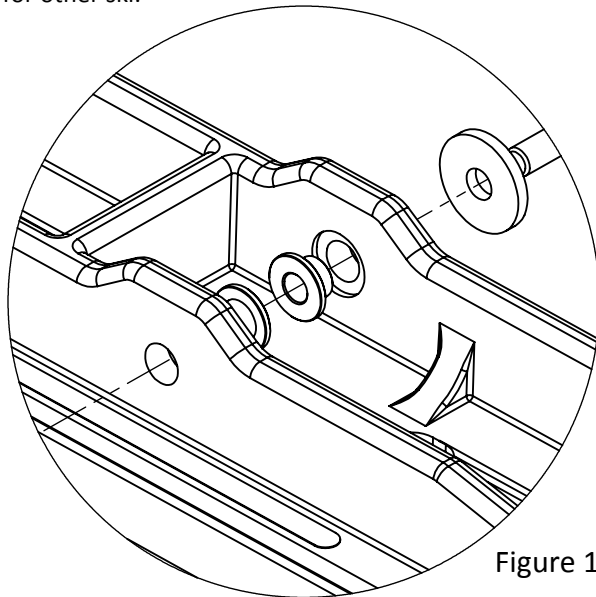


Figure 1

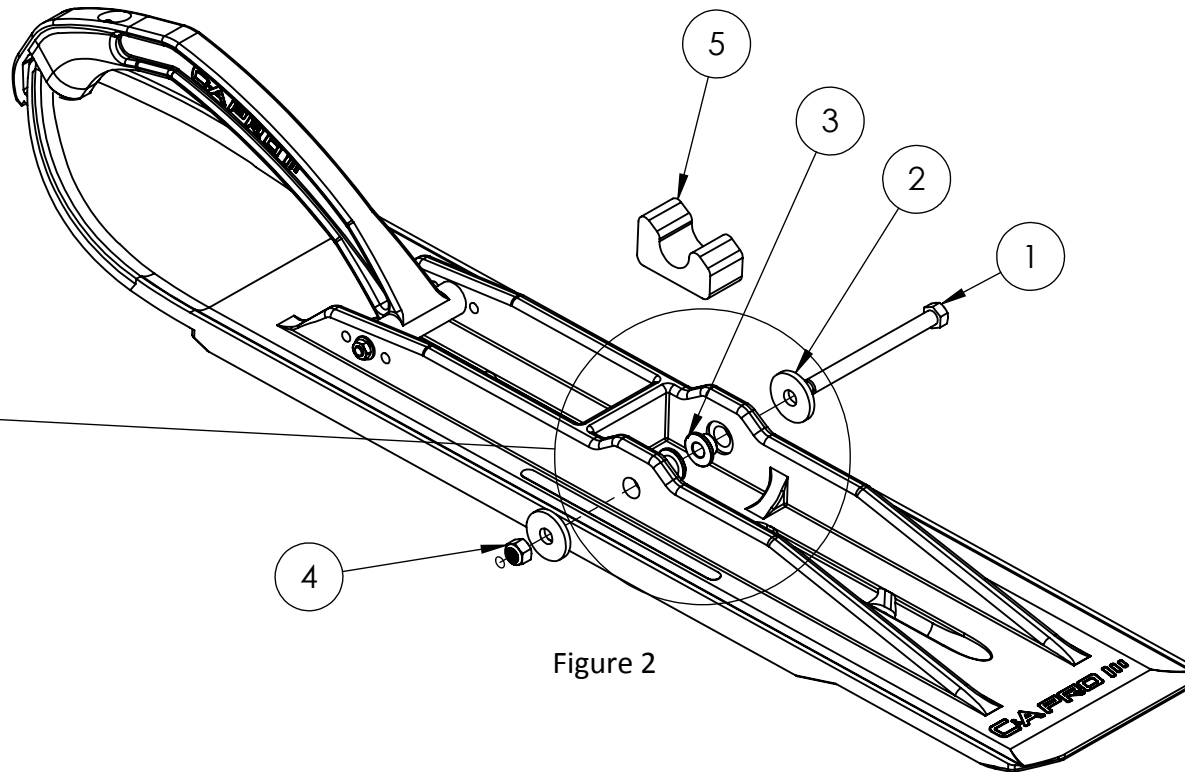


Figure 2

NOTE:
BY DESIGN, THE SKIS ARE MORE AGGRESSIVE THAN FACTORY STANDARD SKIS. IF FOR TRAIL RIDING YOU FIND THAT THE SKIS ARE TURNING TO HARD, YOU MAY WANT TO LIGHTEN SKI PRESSURE FOR EASIER TURNING. FOR ASSISTANCE ON LIGHTENING SKI PRESSURE, CONSULT YOUR SNOWMOBILE OWNERS MANUAL OR YOUR SNOWMOBILE DEALER.