

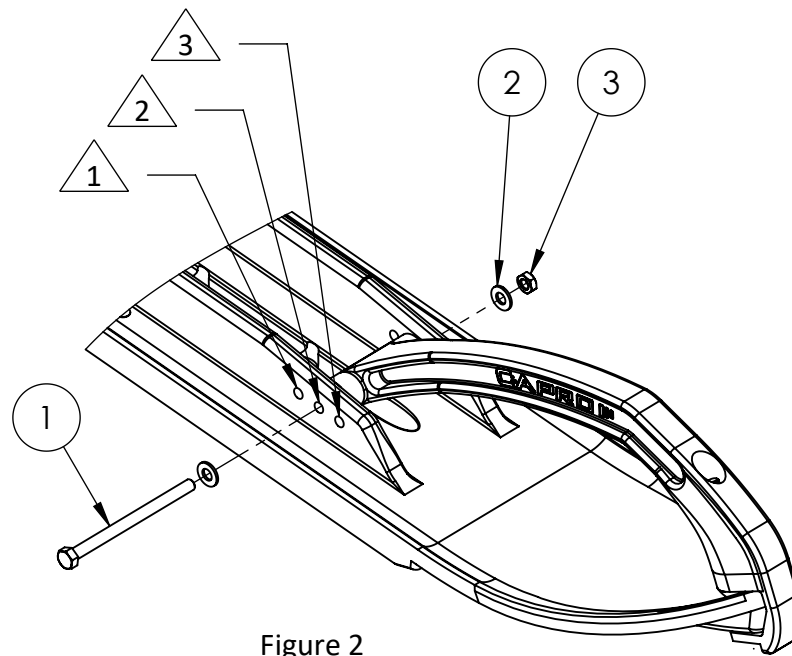
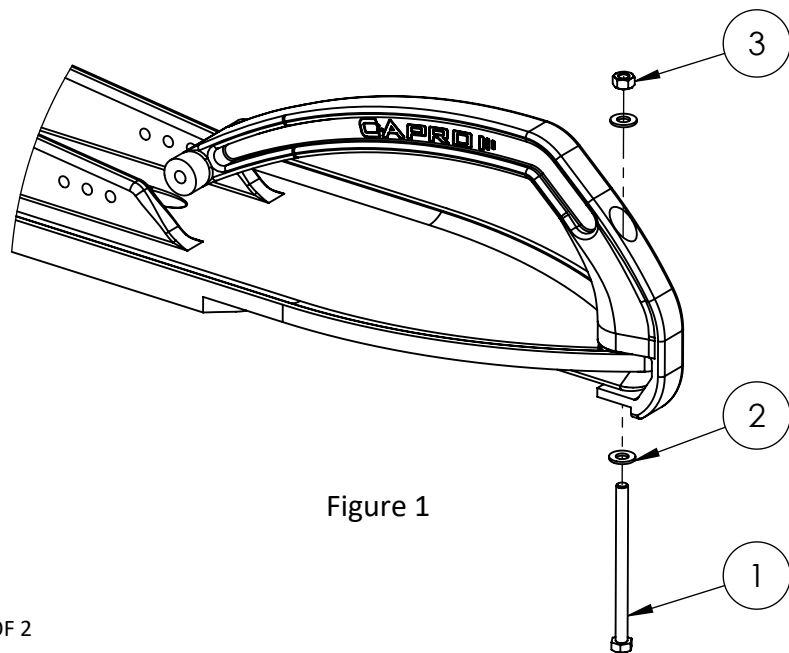
HANDLE INSTALLATION INSTRUCTIONS

****Due to the preload tension on ski handles, C&A recommends having 2 people install handles for ease and convenience.**

1. We suggest removing the ski from the snowmobile for ease of installation.
2. Remove existing handle and discard hardware
3. Slide tip of handle into ski joint and insert hardware (see Figure 1).
Tighten the hardware to 35 in lbs.
4. Bend tip of ski and align handle with mounting hole. Install hardware (see Figure 2).
Tighten hardware to 35 in lbs.
5. Reinstall ski and repeat process.

Handle Adjustment Recommendations:

- 1 Deep snow riding conditions.
- 2 Typical trail riding and racing.
- 3 Ice/Grass/Asphalt drags.



ITEM#	PART#	DESCRIPTION	QTY
1	76000278	BOLT, 5/16"-18 X 4-1/2" HEX	4
3	76000166	NUT, 5/16"-18 TOP LOCK	4
2	76000167	WASHER, 5/16" FLAT SAE	8

HANDLE INSTALLATION INSTRUCTIONS

1. We suggest keeping the ski on the sled for this method.
2. Remove existing handle and discard hardware.
3. Slide tip of the handle into ski joint and insert hardware (see Figure 1). Tighten the hardware to 35 in. lbs.
4. Take a ratchet strap and go around the tip of the ski and then around the "A-Arm" (see Figure 3). Ratchet the ski tip up until the handle is aligned with the desired mounting hole in the saddle. Install hardware (see Figure 2) and tighten to 35 in. lbs.

Figure 3

