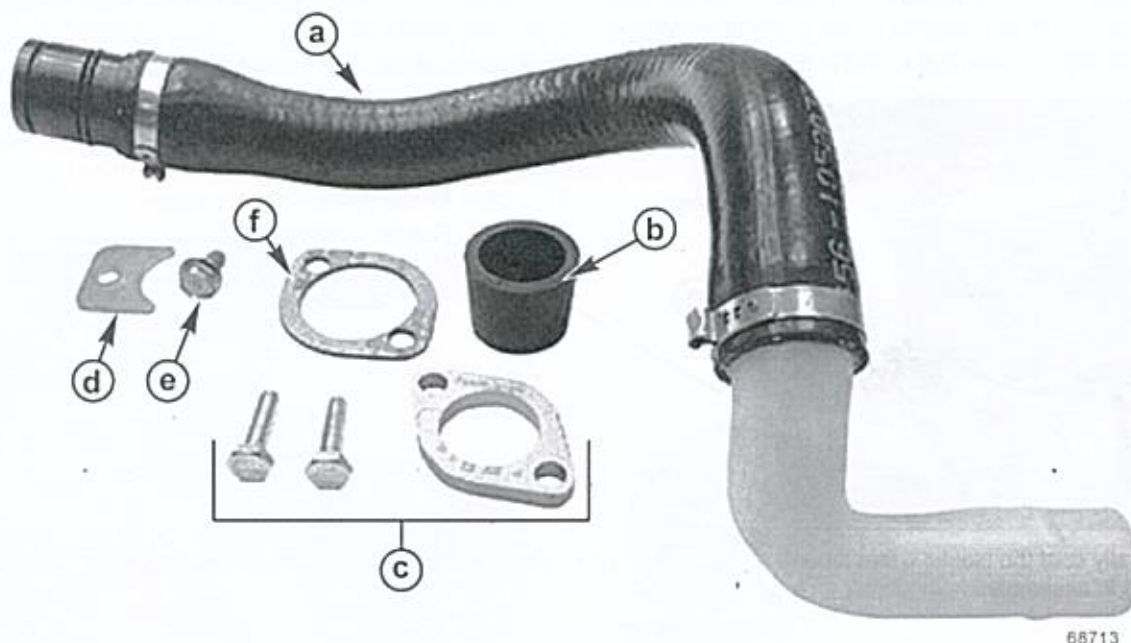


GIMBAL HOUSING WATER PICKUP HOSE KIT FOR BRAVO STERNDRIVE MODELS S/N 2A514803 AND ABOVE

IMPORTANT: This document guides our dealers, boatbuilders, and company service personnel in the proper installation or service of our products. If you have not been trained in the recommended servicing or installation procedures for these or similar Mercury Marine products, have the work performed by an authorized Mercury Marine dealer technician. Improper installation or servicing of the Mercury product could result in damage to the product or personal injury to those installing or operating the product. Always refer to the appropriate Mercury Marine service manual for component removal and installation instructions.

NOTE: After completing installation, place these instructions with the product for the owner's future use.

Components Contained in Kit

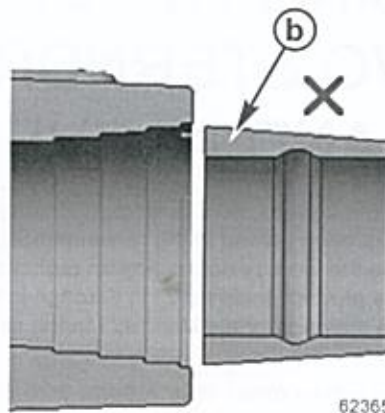
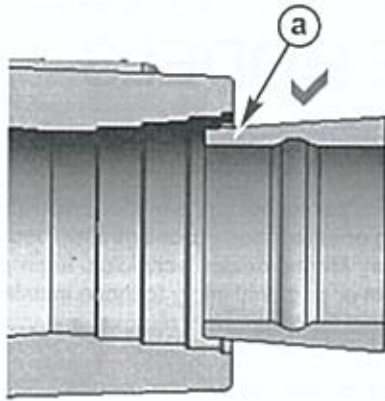


Ref.	Qty.	Description	Part Number
a	1	Water pickup hose assembly	NSS
b	1	Rubber bushing	8M0109467
c	1	Bushing retaining tool assembly	8M0155826
d	1	Clamp	8M0114127
e	1	Screw (0.25 x 20 x 0.62)	10-817505 1
f	1	Water inlet housing gasket	8M0109475

Gimbal Housing Water Pickup Hose Kit Installation Instructions

Refer to the appropriate service manual for water pickup hose disassembly. Clean all orifices and surfaces thoroughly. Retain the water inlet housing screws for reuse on the water inlet housing.

1. Place the rubber bushing into the gimbal housing as shown.

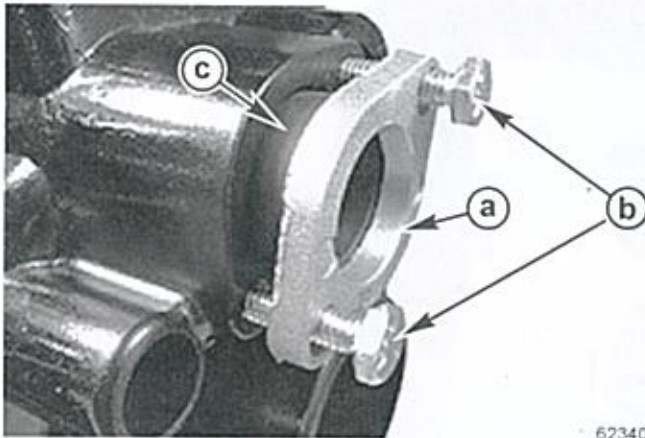


- a - Correct bushing orientation
- b - Incorrect bushing orientation

62365

2. Install the bushing retaining tool onto the rubber bushing and gimbal housing with the two bushing retaining tool screws.
3. Turn the bushing retaining tool screws 1-2 turns maximum. This places the bushing retaining tool at the appropriate location to act as a support for the bushing when inserting the water tube from the aft inside of the gimbal housing.

NOTE: If the screws are turned in further than two turns, the insertion force will increase significantly.



Install rubber bushing

- a - Bushing retaining tool
- b - Bushing retaining tool screws
- c - Rubber bushing

62340

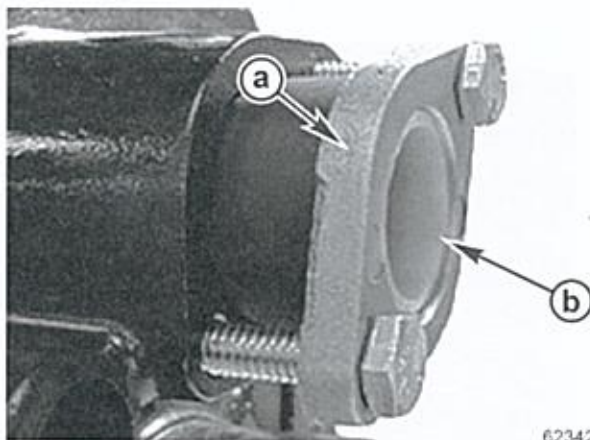
4. Liberally coat the plastic water tube end of the water pickup hose assembly with soapy water (liquid dish soap and water) to aid in assembly.



62341

Plastic water tube

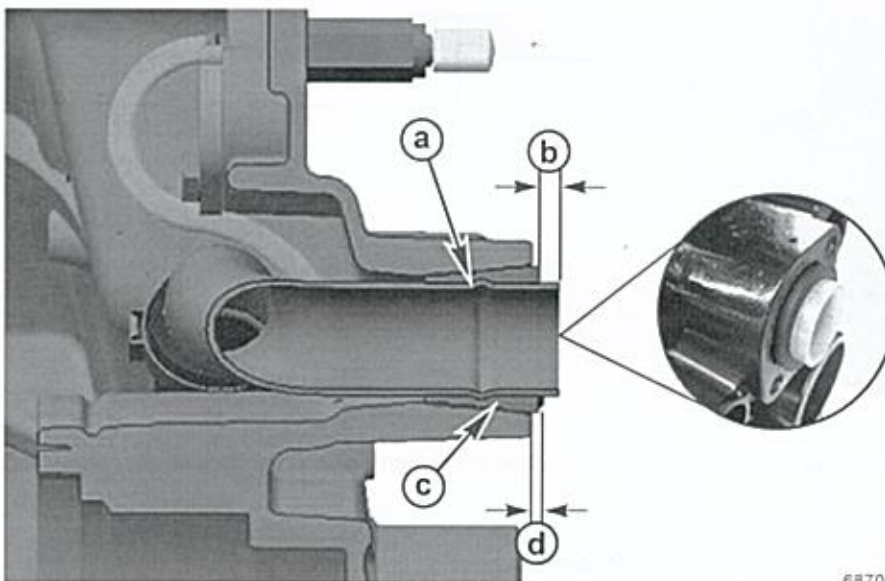
5. Insert the plastic water tube end of the water pickup hose assembly through the aft inside of the gimbal housing. Push firmly until the rib in the water tube is seated on the internal groove of the rubber bushing and the end is nearly flush with the retaining tool surface.



- a - Bushing retaining tool
- b - Water tube nearly flush with the bushing retaining tool

62342

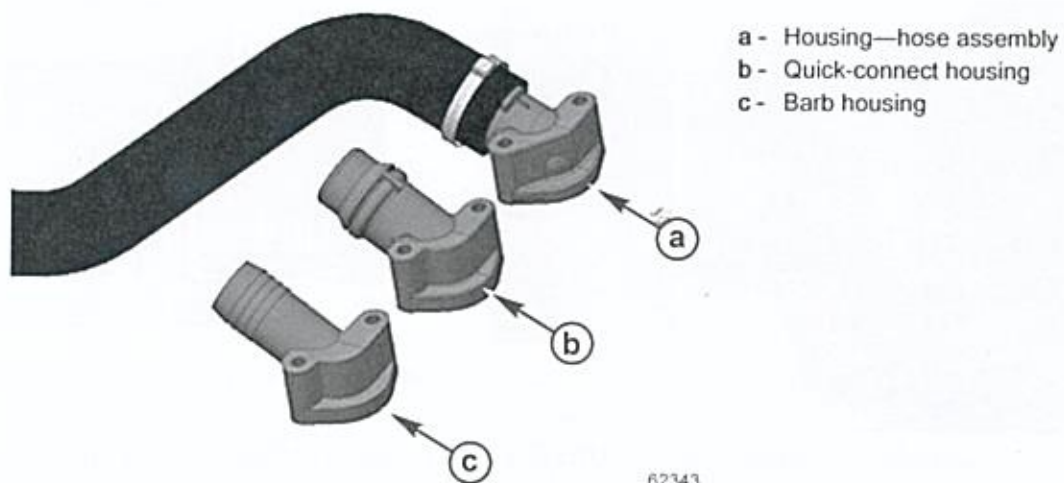
6. Evenly tighten the screws to insert the rubber bushing until there is approximately a 5.08 mm (0.20 in.) gap between the gimbal housing and the bushing retaining tool.
7. Remove the bushing retaining tool from the gimbal housing.
8. Verify that the water tube and the rubber bushing have been installed correctly. The plastic water tube portion of the water pickup hose assembly should protrude approximately 5 mm (0.20 in.) beyond the rubber bushing, and the rubber bushing should protrude 1.40–5.08 mm (0.06–0.20 in.) from the face of the gimbal housing.



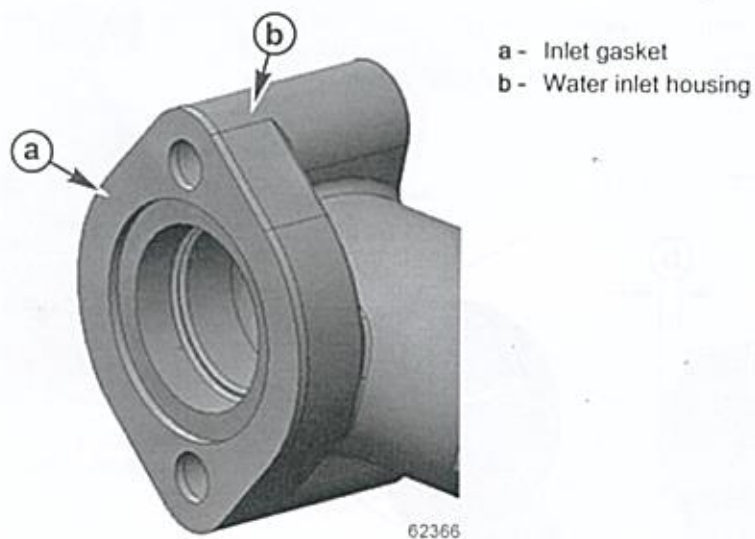
- a - Water tube seated properly
- b - Correct water tube protrusion; 5 mm (0.20 in.)
- c - Rubber bushing proper depth
- d - Correct bushing protrusion; 1.40–5.08 mm (0.06–0.20 in.)

68700

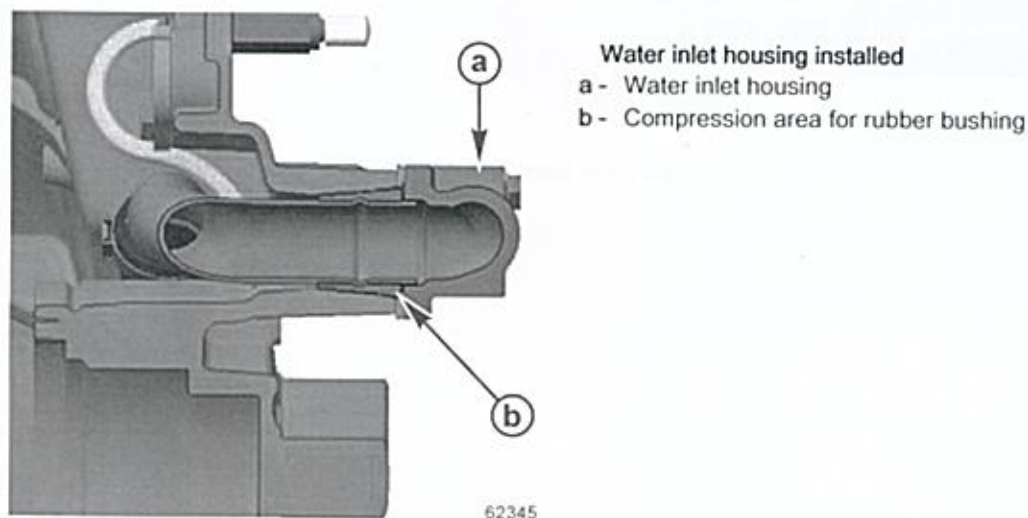
IMPORTANT: Due to the larger diameter water pickup hose assembly, a blue water inlet housing must be connected to the gimbal housing. Ensure that the engine is equipped with one of the water inlet housings in the following image before proceeding.



9. Remove the paper backing from the inlet gasket and adhere the gasket to the water inlet housing.

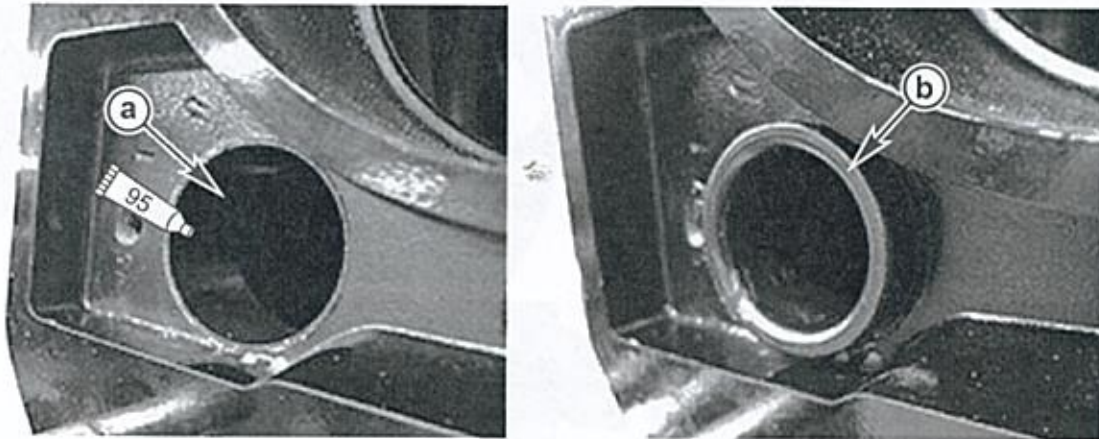


10. Install the water inlet housing to the gimbal housing, as shown. Use the fasteners retained from disassembly and tighten to the specified torque.



Description	Nm	lb-in.	lb-ft
Water inlet housing fasteners	9	80	-

- Coat the bell housing bore with 2-4-C with PTFE, and insert the fitting end of the water pickup hose assembly into the bell housing bore as shown.

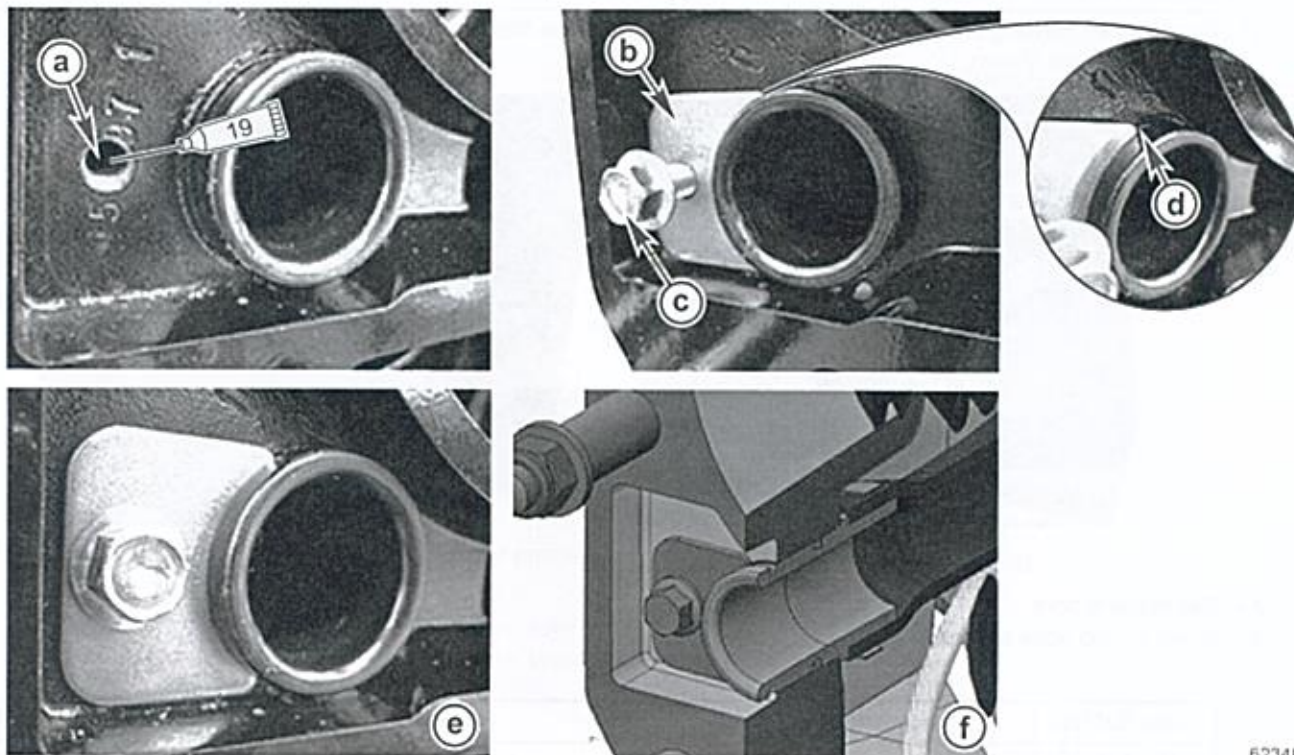


62347

- a - Bell housing bore
- b - Water pickup hose assembly installed

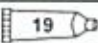
Tube Ref No.	Description	Where Used	Part No.
 95	2-4-C with PTFE	Bell housing bore	92-802859A 1

12. Apply Perfect Seal to the inside of the threaded hole in the bell housing. Secure the clamp and hose to the bell housing with the provided screw. Tighten the screw to the specified torque.



62348

- a - Threaded hole
- b - Clamp
- c - Screw
- d - Clamp inserted into hose fitting
- e - Clamp and hose secured in bell housing
- f - Cross-section view

Tube Ref No.	Description	Where Used	Part No.
 19	Perfect Seal	Inside of threaded hole where screw holds clamp	92-34227Q02

Description	Nm	lb-in.	lb-ft
Screw securing clamp and hose to bell housing	11.3	100	-

13. Refer to the appropriate service manual for the remaining water pickup hose assembly procedure.