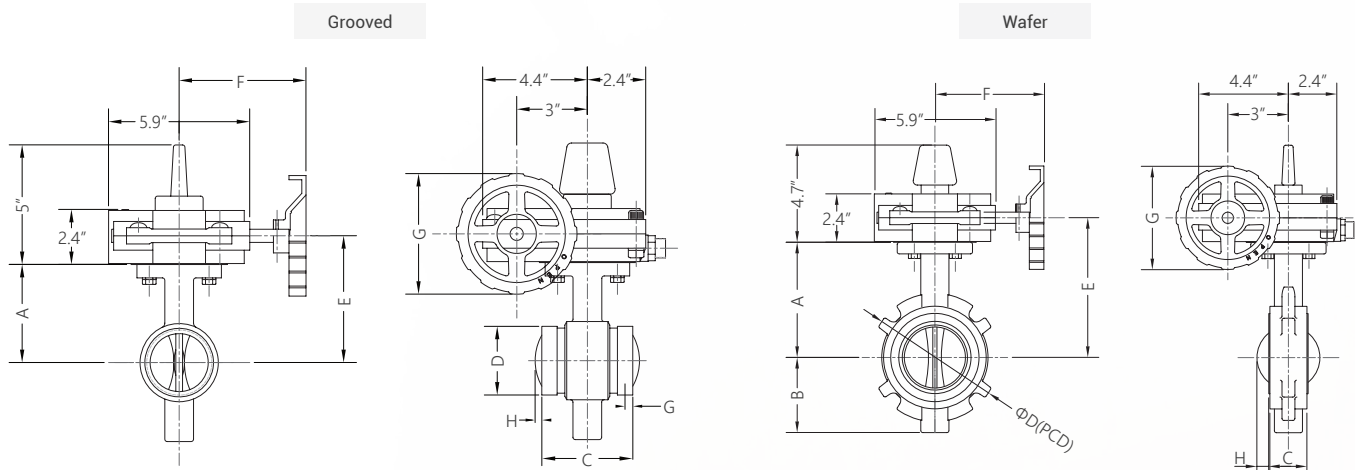


Ductile Iron Butterfly Valve Grooved & Wafer Supervised Closed 300PSI



Technical Features

- Connections: Grooved Ends (AWWA C606) / Wafer Ends (ANSI Class 125)
- Sizes: 2-1/2", 3", 4", 6", 8"
- Approvals: UL, ULC, FM, and California State Fire Marshal
- Working Pressure: Grooved & Wafer 300PSI (Max. Test Pressure: 600PSI)
- Maximum Working Temperature: 250°F (120°C)
- Application: Indoor and Outdoor Use
- Double-Seal Disc; Resilient EPDM Coating
- Indicator: Colored in White
- Factory-Installed Supervisory Tamper Switch Assembly
- Also Available with Normally Open Switches



Dimensions : Grooved Supervised Closed Butterfly Valve

Size	A		C		D		E		F		G		H		Weight lbs
	in	mm	in	mm	in	mm	in	mm	in	mm	in	mm	in	mm	
2-1/2"	4.1	105.0	3.8	96.4	2.9	73.0	5.3	135.0	5.3	135.0	5.0	128.0			20.0
3"	4.4	112.0	3.8	96.4	3.5	88.9	5.6	142.0	5.3	135.0	5.0	128.0			21.0
4"	5.7	145.0	4.5	115.4	4.5	114.3	6.9	175.0	5.3	135.0	5.0	128.0			26.0
6"	7.0	179.0	5.2	132.4	6.6	168.3	8.2	209.0	7.6	193.0	8.7	220.0	0.3	6.8	39.0
8"	8.0	204.0	5.8	147.4	8.6	219.1	9.2	234.0	7.6	193.0	8.7	220.0	1.0	24.2	51.0

Dimensions : Wafer Supervised Closed Butterfly Valve

Size	A		B		C		D		E		F		G		H		Weight lbs
	in	mm	in	mm	in	mm	in	mm	in	mm	in	mm	in	mm	in	mm	
2-1/2"	5.4	136.0	3.4	87.0	1.8	46.0	5.9	149.4	6.5	166.0	5.3	135.0	5.0	128.0	0.3	8.2	20.0
3"	5.6	143.0	3.7	93.0	1.8	46.0	6.6	168.2	6.8	173.0	5.3	135.0	5.0	128.0	0.6	14.5	21.0
4"	6.1	156.0	4.3	109.0	2.0	52.0	7.9	200.2	7.3	186.0	5.3	135.0	5.0	128.0	0.9	22.7	23.0
6"	7.4	188.0	5.7	144.0	2.2	56.0	10.6	269.8	8.6	218.0	7.6	193.0	8.7	220.0	1.8	45.4	32.0
8"	8.7	222.0	6.5	166.0	2.3	58.0	13.0	330.2	9.9	252.0	7.6	193.0	8.7	220.0	2.7	69.1	42.0