

Bronze Butterfly Valve Grooved 300PSI

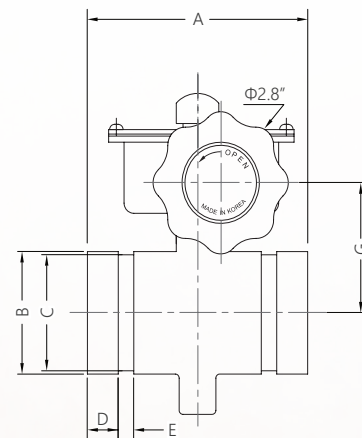
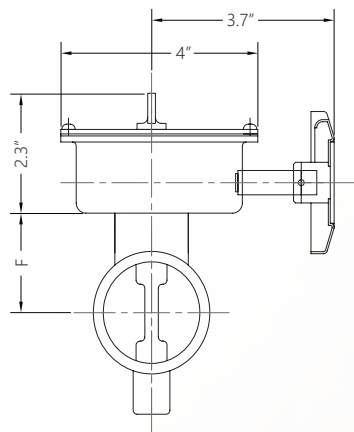
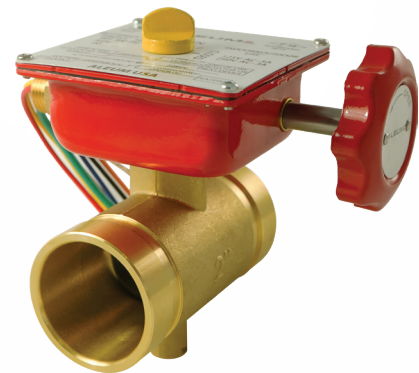


Technical Features

- Connections: Grooved Ends (AWWA C606)
- Sizes: 1", 1-1/4", 1-1/2", 2", 2-1/2", 3"
- Approvals: UL, ULC, FM
- Maximum Working Pressure: 300PSI (Max. Test Pressure: 600PSI)
- Maximum Working Temperature: 250°F (120°C)
- Application: Indoor and Outdoor Use
- Factory-Installed Supervisory Tamper Switch Assembly



Components	Material	Specification
Body	Bronze	ASTM B505
Disc	Aluminum Bronze	ASTM B548
Disc Encapsulation	EPDM Rubber	ASTM D2000
Indicator	Brass	ASTM B16
Housing	Steel	ASTM A619
Handwheel	Steel	ASTM A619
Stem	Stainless Steel	ASTM A564 Type XM12



Dimensions

Size	A		B		C		D		E		F		G	
	in	mm	in	mm	in	mm	in	mm	in	mm	in	mm	in	mm
1"	3.4	86	1.3	33.7	1.2	30.2	0.6	16.0	0.3	7.5	1.5	37	2.0	52
1-1/4"	3.9	99	1.7	42.4	1.5	39.0	0.6	16.0	0.3	7.5	1.6	41	2.2	56
1-1/2"	4.1	104	1.9	48.3	1.8	45.1	0.6	16.0	0.3	7.5	1.7	44	2.3	59
2"	4.5	114	2.4	60.3	2.2	57.1	0.6	16.0	0.3	8.0	1.9	49	2.5	64
2-1/2"	4.5	114	2.9	73.0	2.7	69.1	0.6	16.0	0.3	8.0	2.4	60	2.9	75
3"	4.5	114	3.5	88.9	3.3	84.9	0.6	16.0	0.3	8.0	2.8	70	3.9	98.5