

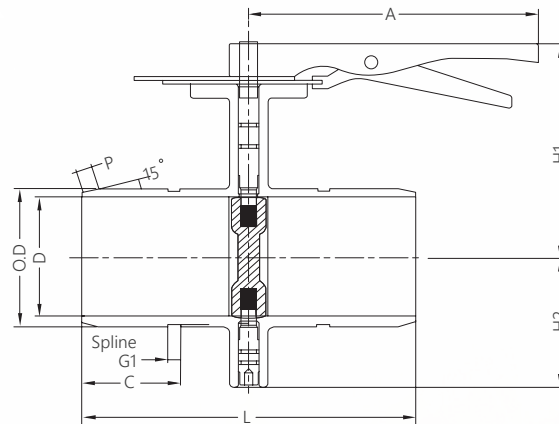
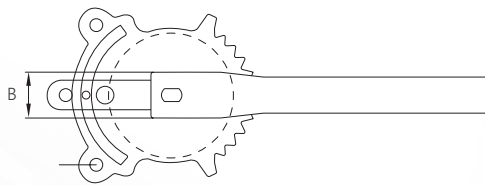
Lever Lock Handle G-Mine Style Butterfly Valve Grooved 300 PSI



Technical Features

- Connections: Grooved Ends (AWWA C606)
- Sizes: 2", 3", 4", 6", 8"
- Maximum Working Pressure: 300PSI (20 bar)
- Maximum Working Temperature: 32°F to 140°F (0°C to 60°C)
- 10 Point Lock Position

Components	Material
Body	Epoxy Coated
Disc	Ductile Iron, EPDM or NBR Encapsulated
Stem	Stainless Steel
Throttling Plate	Steel, Zinc Plated
ISO Mounting Pad	
Handle	Carbon Steel, Epoxy Coating or Casting



Dimensions

Size	A		B		C		D		O.D.		G1		H1		H2		L		P	
	in	mm	in	mm	in	mm	in	mm	in	mm	in	mm	in	mm	in	mm	in	mm	in	mm
2"	7.95	202.0	1.42	36.0	1.75	44.50	1.89	48.00	2.38	60.30	0.25	6.40	5.16	131.0	2.52	63.90	7.52	191.10	0.19	4.78
3"	7.95	202.0	1.42	36.0	2.50	63.50	2.88	73.20	3.50	88.90	0.38	9.50	5.75	146.0	3.62	92.0	9.18	233.20	0.19	4.78
4"	7.95	202.0	1.42	36.0	3.00	76.20	3.85	97.80	4.50	114.30	0.38	9.50	7.05	179.0	4.25	108.0	10.18	258.60	0.19	4.78
6"	10.28	261.0	1.46	37.0	3.00	76.20	5.74	145.80	6.63	168.30	0.38	9.50	8.39	213.0	5.71	145.0	10.42	264.60	0.31	7.95
8"	12.40	315.0	1.57	40.0	2.50	63.50	7.65	194.20	8.63	219.10	0.50	12.70	9.37	238.0	6.69	170.0	10.96	278.47	0.31	7.95