

Flexible Sprinkler Connector Braided & Unbraided

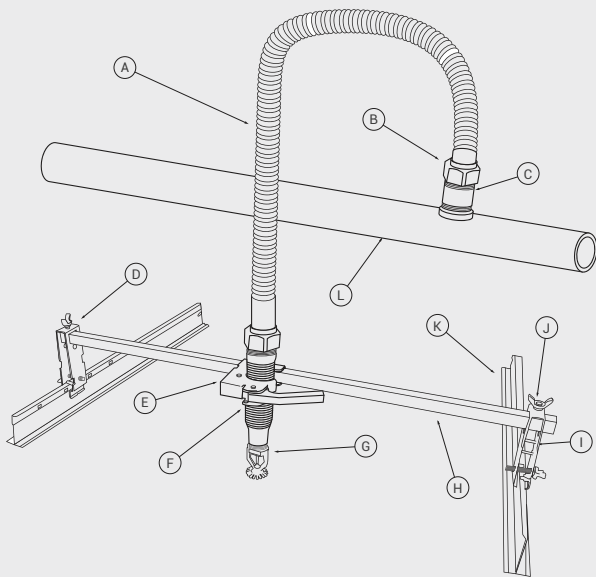


Technical Features

- Hose Types: Braided or Unbraided
- Hose Lengths: 24", 36", 48", 60", 72"
- Maximum Working Pressure: 175 PSI
- Maximum Working Temp: 225°F
- Kfactor: 1/2" Outlet 5.6, 3/4" Outlet 8.0
- Connections: To branch line (inlet) via 1"/25.4mm NPT male thread
- Connections: To sprinkler (outlet) via 1/2" or 3/4" 15mm or 20mm NPT female thread

Approvals & Standards

- Braided: UL, ULC 2443, FM 1637
- Unbraided: UL, ULC 2443
- NFPA 13, NFPA 13D, NFPA 13R, ASTM C635, ASTM C636



ASSEMBLY DRAWING: FXB (Braided) & FXU (Unbraided)

- Ⓐ Stainless Steel Flexible Hose
- Ⓑ Connection Nut
- Ⓒ 1" Inlet Nipple
- Ⓓ End Bracket with Wing Nut
- Ⓔ Center Bracket
- Ⓕ 5.5" Reducer
- Ⓖ Sprinkler
- Ⓗ Steel Bar
- Ⓢ End Bracket with Wing Nut
- Ⓣ Wing Nut
- Ⓚ Ceiling Rail (T-Bar)
- Ⓛ Branch Line

Part	Material
Flexible Hose	Type 304 Stainless Steel
Nut	S10C
Isolation Ring	Nylon 66
Gasket Seal	Silicon
Reducer	Zinc Plated Grade 1020 Steel
End & Center Brackets	Zinc Plated Steel ASTM A109
Square Bar	Zinc Plated Steel Grade 1010 Steel

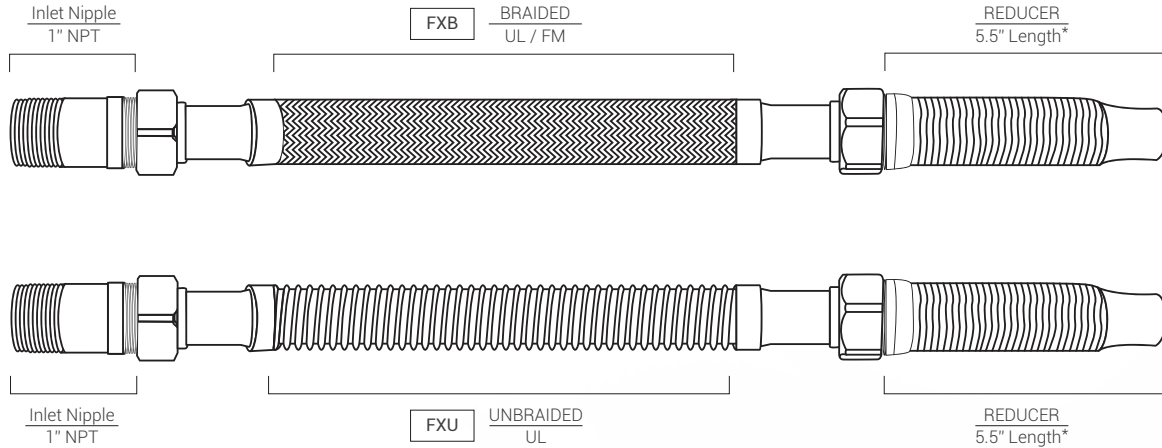
FRICITIONLOSS DATA-Braided (FXB)

Length in	Outlet Size in	Max# of 90° Bends	Min Bend Radius, in.	Equivalent Length of 1" Sch. 40 Pipe
24"	1/2	1	7.5	26.4
	3/4	1	7.5	19.4
36"	1/2	2	7.5	34.1
	3/4	2	7.5	28.4
48"	1/2	2	7.5	46.8
	3/4	2	7.5	39.5
60"	1/2	3	7.5	61.4
	3/4	3	7.5	54.8
72"	1/2	4	7.5	76.1
	3/4	4	7.5	70.1

FRICITIONLOSS DATA-Unbraided (FXU)

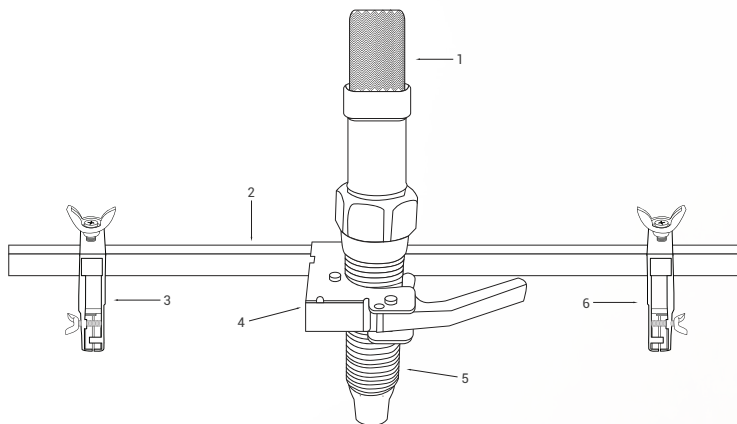
Length in	Outlet Size in	Max# of 90° Bends	Min Bend Radius, in.	Equivalent Length of 1" Sch. 40 Pipe
24"	1/2	1	4	24
	3/4	1	4	30
36"	1/2	2	4	44
	3/4	2	4	48
48"	1/2	2	4	49
	3/4	2	4	55
60"	1/2	2	4	59
	3/4	2	4	64
72"	1/2	3	4	64
	3/4	3	4	86

Flexible Sprinkler Connector Braided & Unbraided



* Other Reducer lengths Available

ASSEMBLY DRAWING: Suspended Ceiling T-Bar Grid System



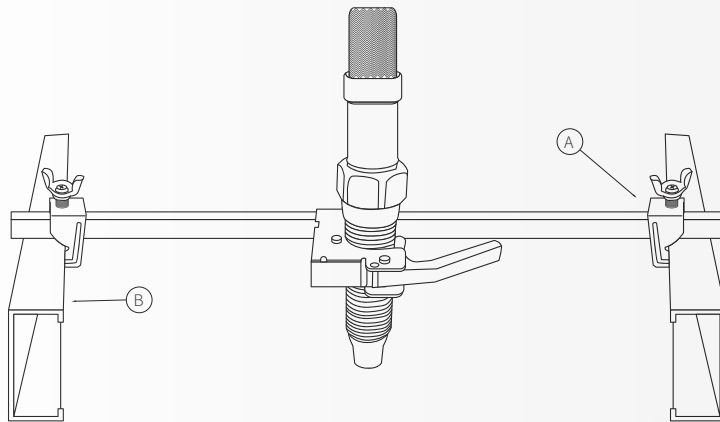
No.	Item Description
1	Ductile Iron
2	Ductile Iron, EPDM Encapsulated
3	Bronze
4	Stainless Steel
5	Ductile Iron
6	Rubber

STANDARDS OF COMPLIANCE

- UL /ULCLISTING : UL 2443 standards for Flexible Sprinkler Hose with Fittings for fire protection service.
- FM APPROVAL : FM class number 1637 approved standard for Flexible Sprinkler Hose with Threaded Ends and Fittings.
- NFPA : NFPA 13 Standard for the installation of sprinkler system. NFPA 13D Standard for the installation of sprinkler systems in one and two family dwellings and manufactured homes. NFPA 13R Standard for the installation of sprinkler systems in residential occupancies up to and including four stories in height.
- ASTM : ASTM C635 Standards specification for the manufacture, performance, and testing of metal suspension systems for acoustical tile and lay-in panel ceilings. ASTM C636 Standards practice for installation of metal ceilings suspension systems for acoustical tile and lay-in panels.



Flexible Sprinkler Connector Braided & Unbraided

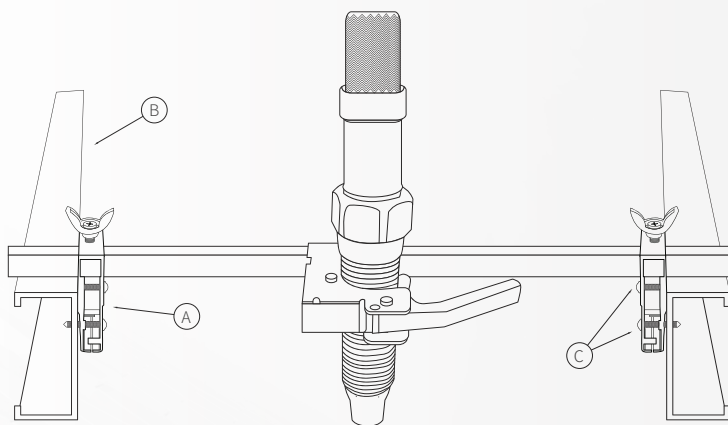


Metal Joist / Stud (Option A)

- Ⓐ Metal Stud End Bracket (Part# FX-EB-MTL)
- Ⓑ Metal Stud (C Channel)

Package Includes

- (1) Stainless Steel Flexible Sprinkler Hose
- (1) SteelSquareBar
- (2) EndBrackets
- (1) CenterBracket

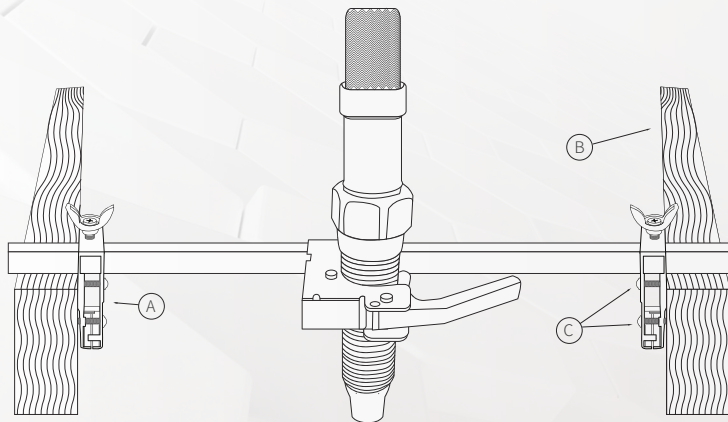


Metal Joist / Stud (Option B)

- Ⓐ End Bracket (Part# FX-EB-97MM)
- Ⓑ Metal Stud (C Channel)
- Ⓒ 1-1/4" #10 Self-Drilling Sheet Metal Screw

Package Includes

- (1) Stainless Steel Flexible Sprinkler Hose
- (1) SteelSquareBar
- (2) EndBrackets
- (1) CenterBracket



Wood Joist / Stud

- Ⓐ End Bracket (Part# FX-EB-97MM)
- Ⓑ Wood Joist
- Ⓒ 1-1/2" #10 Self-Drilling Wood Screw

Package Includes

- (1) Stainless Steel Flexible Sprinkler Hose
- (1) SteelSquareBar
- (2) EndBrackets
- (1) CenterBracket

Parts List



	Part #	Description
	FX-NPT-050C	Straight Reducer 1/2" Outlet x 5-1/2" Length
	FX-NPT-075C	Straight Reducer 3/4" Outlet x 5-1/2" Length

	Part #	Description
	FX-NPT-INL	Inlet Nipple 1" x 2-3/8" NPT

	Part #	Description
	FX-NPT-700	Straight Reducer 1/2" Outlet x 7" Length
	FX-NPT-900	Straight Reducer 1/2" Outlet x 9" Length

	Part #	Description
	FX-SB-25	Square Bar - 25"
	FX-SB-50	Square Bar - 50"

	Part #	Description
	FX-90D-50C	90° Degree Elbow Reducer 1/2" NPT
	FX-90D-75C	90° Degree Elbow Reducer 3/4" NPT

	Part #	Description
	FX-GSKT	EPDM Gasket

	Part #	Description
	FX-CB-D	Center Bracket D TYPE

	Part #	Description
	FX-EB-HAT CHNL	Hat Channel End Bracket

	Part #	Description
	FX-EB-97MM	97mm End Bracket
	FX-EB-78MM	78mm End Bracket

	Part #	Description
	FX-EB-MTL STUD	Metal Stud End Brackets

⚠ WARNING

- Read and follow these installation instructions before attempting to install Aleum products.
- Installer must understand the purpose of these products with common standards of the industry for safety, and the consequences of improper product installation.
- Wear safety glasses, hardhat, and foot protection during installation.
- Failure to follow these instructions could cause improper sprinkler operation, resulting in serious personal injury and / or property damage.
- The flexible hose are not to be bent within 2.5 inches of the connection nut at both ends.

| ASSEMBLY INSTRUCTIONS |

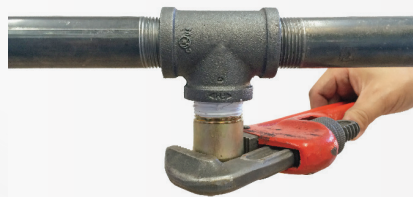
1



(A) Pipe side: Apply PTFE thread seal tape or pipe joint compound to the tapered threads of the inlet nipple.

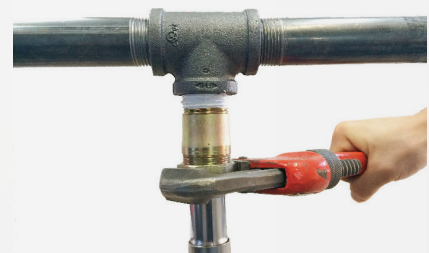
(B) Flexible hose side: DO NOT use both pipe PTFE or pipe joint compound

2



Tighten the inlet nipple into branch line using pipe wrench.

3



Connect the nut of flexible hose to the inlet nipple using a pipe wrench. DO NOT use PTFE or pipe joint compound on the inlet nipple at the hose side since there is already a seal gasket in place to seal the joint. Tighten the connection to a maximum torque of 15 ft-lbs/20 N*m. Too much torque may cause damage to the seal gasket.

Installation Instruction

* For ASTM C635 metal ceiling suspension systems installed in accordance with ASTM C636 standards.

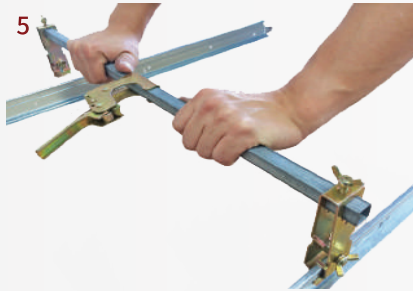


4



Connect the nut of the flexible hose to the outlet reducer. **DO NOT** use PTFE or pipe joint compound since on outlet reducer at the hose side since there is already a seal gasket in place to seal the joint. Tighten the connection to a maximum torque of 15 ft-lbs / 20 N*m. Too much torque may cause damage to the seal gasket.

5



Identify the t-bar bracket assembly and confirm if all parts are in present: (1) end bracket at each side, (1) center bracket, (1) square steel bar. Adjust as necessary if the positions of the end brackets to match the length of the t-bar rails.

6



Attach the end brackets to the t-bar rails by loosening the wing nut and pushing in the end bracket into the t-bar rail.

7



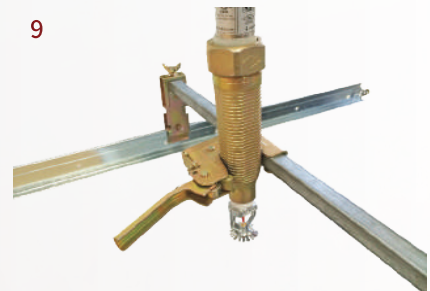
Tighten the wing nut to a torque of 3 ft-lbs / 4 N*m to secure end brackets to the rails.

8



Adjust the positions of the center bracket and the flexible hose to desired location.

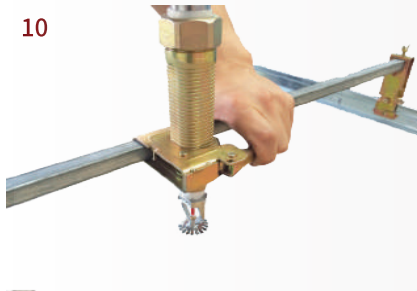
9



Slide the outlet reducer into the center bracket.

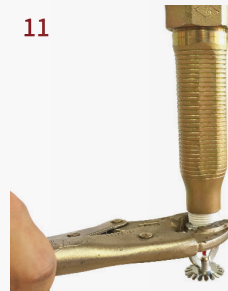
Installation Instruction

* For ASTM C635 metal ceiling suspension systems installed in accordance with ASTM C636 standards.



10

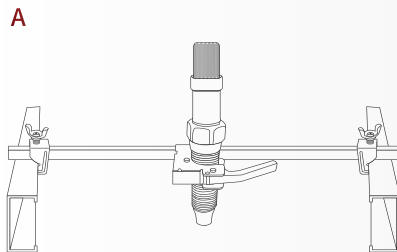
With outlet reducer positioned inside the center bracket, grasp and firmly close the handle completely to secure the reducer in place.



11

Apply PTFE or pipe joint compound to the male threads of sprinkler. Install the sprinkler into the female threads of the outlet reducer by following sprinkler manufacturer's installation instructions.

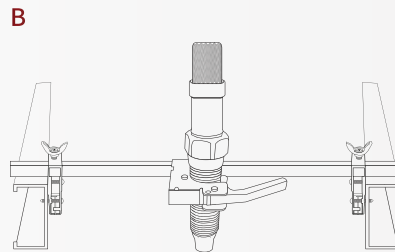
| HARD-LID CEILING JOIST / STUD ASSEMBLY INSTRUCTIONS |



A

Metal Joist / Stud (Option A)

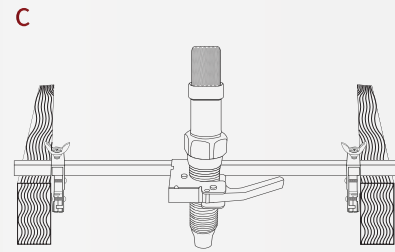
Refer to instructions for "ASTM C635 Metal Ceiling Suspension Systems" and perform steps 1 to 3. Slide the Metal Stud End Bracket (Part #FX-EB-MTL) on each end of square steel bar, making sure the "lip" of the bracket engages the metal joist/stud. Tighten the wing nuts to a torque of 3 ft-lbs/4 N*m to secure to the metal joist/stud. Perform steps 8 to 12 of the "ASTM C635 Metal Ceiling Suspension Systems".



B

Metal Joist / Stud (Option B)

Refer to instructions for "ASTM C635 Metal Ceiling Suspension Systems" and perform steps 1 to 3. Place the bracket assembly on top of the metal joist/stud, where the end brackets (Part #FX-EB-97MM) are on the inner side of each metal joist/stud. Drill 1-1/4 inch long #10 self-drilling sheet metal screws (4) in the locations shown in the picture. Perform steps 8 to 12 of the "ASTM C635 Metal Ceiling Suspension Systems".



C

Wood Joist / Stud

Refer to instructions for "ASTM C635 Metal Ceiling Suspension Systems" and perform steps 1 to 3. Place the bracket assembly on top of the wood joist/stud, where the end brackets (Part #FX-EB-97MM) are on the inner side of each wood joist/stud. Drill 1-1/4 inch long #10 self-drilling wood screws (4) in the locations shown in the picture. Perform steps 8 to 12 of the "ASTM C635 Metal Ceiling Suspension Systems".