

Swing Check Valve Flanged

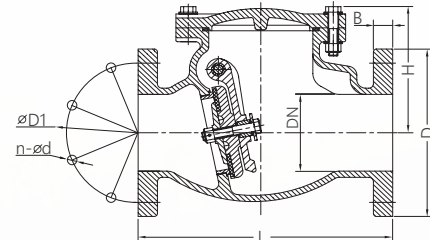


Technical Features

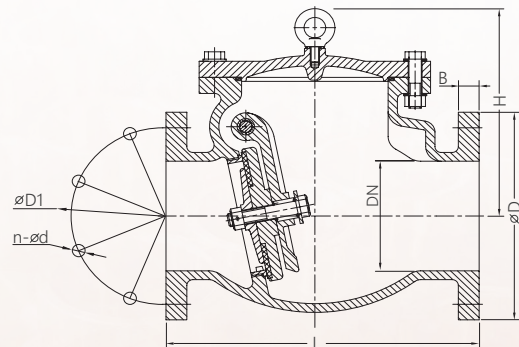
- Connections: Flanged Ends (ANSI B16.1 Class 125)
- Sizes: 2", 2-1/2", 3", 4", 5", 6", 8", 10", 12"
- Approvals: UL, ULC, FM, NSF/ANSI 61 and NSF/ANSI 372
- Maximum Working Pressure: 300PSI (Max. Test Pressure: 600PSI)
- Maximum Working Temperature: 180°F (82°C)
- Complies with AWWA C508, Clear Waterway Design
- Two Test Plugs Installed on One Side of Valve Body
- Fusion Bonded Epoxy Coated Interior and Exterior to AWWA C550



Size 2" to 4"



Size 5" to 12"



No.	Part	Specification	Material/Options
1	Valve Body	65-45-12	Ductile Iron
2	Bonnet	65-45-12	Ductile Iron
3	Flat Washer		Carbon Steel Zinc Plated
4	Bolts		Carbon Steel Zinc Plated
5	Eye Bolt		Carbon Steel Zinc Plated
6	O-Ring		EPDM/NBR
7	Plug		SS304/Bronze ASTM B584
8	O-Ring		EPDM/NBR
9	Hinge Pin		SS304/SS316
10	Washer	Brass ASTM B16 C36000/Hpb63-3	SS304
11	Hinge Bushing	Brass ASTM B16 C36000/Hpb63-3	SS304
12	Seat Ring	Brass ASTM B62 C836000/ZQSn5-5-5 (Pressed Fit)	SS304
13	Disc Seat Bolts	SS304	
14	Retainer Washer	Brass ASTM B62 C836000/ZQSn5-5-5	
15	Disc Seat Ring	EPDM	NBR
16	Disc	EN-GJS-450-10	
17	Clapper Arm	EN-GJS-450-10	
18	Disc Bushing	Brass ASTM B16 C36000/Hpb63-3	
19	O-Ring	EPDM	NBR
20	Washer	Brass ASTM B16 C36000/Hpb63-3	SS304
21	Nut	Brass ASTM B62 C836000/ZQSn5-5-5	SS304

Dimensions

Size	L		ΦD		ΦD1		B		n-ød	H	
	in	mm	in	mm	in	mm	in	mm		in	mm
2"	8.0	203	6.0	152	4.7	120.5	0.6	16.0	4-Φ19.1	5.2	133
2-1/2"	10.0	254	7.0	178	5.5	139.5	0.7	17.5	4-Φ19.1	5.9	150
3"	10.9	278	7.5	191	6.0	152.5	0.7	19.0	4-Φ19.1	5.9	150
4"	12.9	330	9.0	229	7.5	190.5	0.9	24.0	8-Φ19.1	8.6	218
6"	15.9	406	11.0	279	9.5	241.5	1.0	25.5	8-Φ22.2	11.4	290
8"	19.5	495	13.5	343	11.8	298.5	1.1	28.5	8-Φ22.2	13.0	330
10"	24.5	622	16.0	406	14.2	362.0	1.2	30.5	12-Φ25.4	13.8	350
12"	26.0	660	19.0	483	17.0	432.0	1.3	32.0	12-Φ25.4	14.8	376