

Double Door Check Valve | Wafer

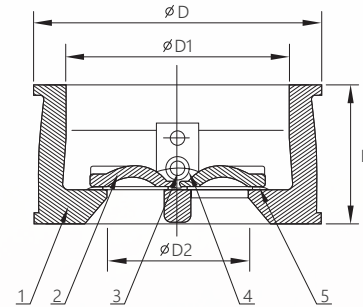


Technical Features

- Connections Ends: ASME B16.1 CL 125, ASME B16.5 CL 150
- Sizes: 2", 2.5", 3", 4", 5", 6", 8", 10", 12", 14", 16"
- Approvals: UL, ULC, FM, NSF/ANSI 61, NSF/ANSI 372
- Working Pressure: 300PSI
200PSI and 250PSI available upon request
- Temperature Range: 0°C to 100°C
- Coating: Fusion Bonded Epoxy Coating in accordance with ANSI/AWWA C550



Part No.	Material	Specification
1	Valve Body	ASTM A536, 65-45-12
2	Disc	AISI 316
3	Stem	AISI 420
4	Spring	AISI 304
5	Rubber Seat	EPDM



Dimensions

DN		L		D		D1		D2	
in	mm	in	mm	in	mm	in	mm	in	mm
2"	50	2.1"	54	4.1"	106	2.6"	68	1.8"	46
2.5"	65	2.3"	60	5"	127	3"	78	2.3"	60
3"	80	2.2"	57	5.2"	134	4"	102	2.7"	70
4"	100	2.6"	67	6.3"	162	4.6"	117	3.3"	84
5"	125	3.2"	83	7.6"	194	5.7"	145	4.5"	115
6"	150	3.7"	95	8.5"	218	6.6"	170	5.2"	134
8"	200	5"	127	10.9"	277	8.8"	226	7.2"	184
10"	250	5.5"	140	13.22"	336	10.4"	265	8.6"	220
12"	300	7.1"	181	15.9"	406	12.2"	310	10.2"	260
14"	350	7.2"	184	17.5"	447	14.1"	360	11.8"	302
16"	400	7.5"	191	19.8"	505	16.1"	410	13.7"	350

